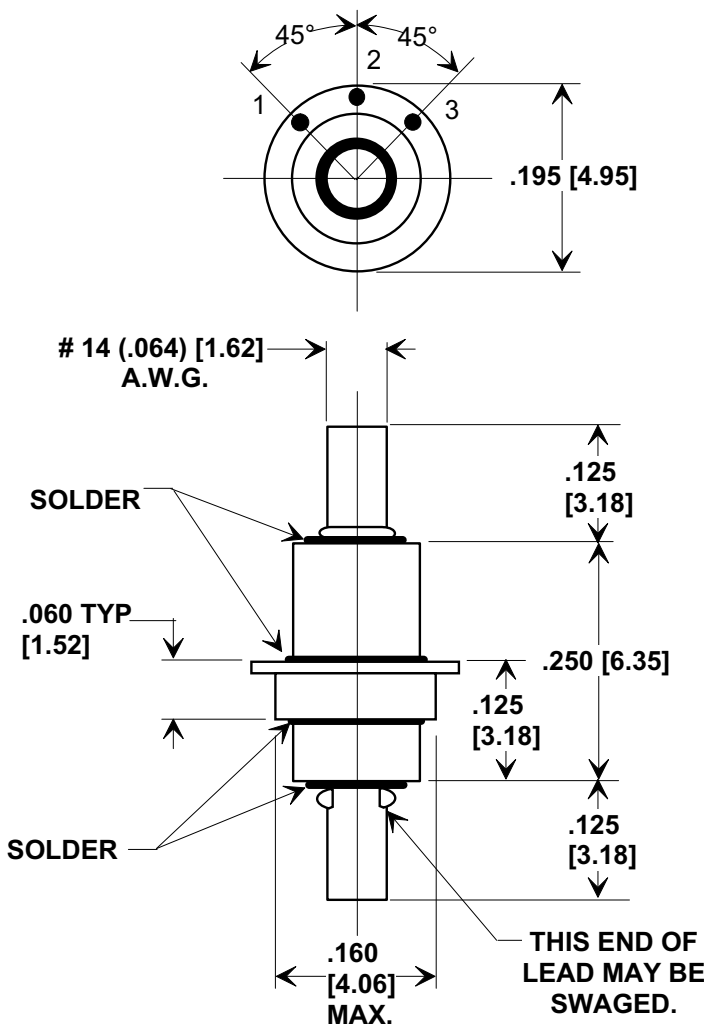
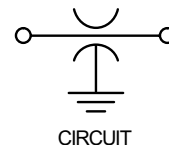
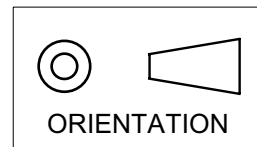


MARKETING SALES DRAWING

DIMENSIONS IN INCHES - DO NOT SCALE THIS DRAWING

DIMENSIONS IN METRIC - []

Electrical Testing
per Tusonix standard
test plans and Mil-Std-202
Test Methods.



SPECIFICATIONS

TUSONIX STYLE.	2482-039
Cap. Value:	500 pF
Cap. Tol.:	± 20%
Temp. Char.:	X7R
Operating. Temp.:	-55° TO + 125°C
Operating. Volt.:	300 WVDC @ + 85°C, 150 WVDC @ + 125°C
I.R. min. @ 100 vdc	10 GΩ
DWV (vdc)	900

NOTE:

1. EXPOSED CERAMIC ENAMEL COATED.
2. O.D. ELECTRODES: SOLDER COATED OVER NICKEL, SILVER BARRIER.

X-2015 Rev-0

REVISION RECORD

Original Release
C.O. 20020426-2-01
0

--TOLERANCES--
Unless Otherwise Specified

DECIMAL ± .015 [0.38]

ANGLES ±

TUSONIX
TUCSON, ARIZONA

Title

**FEED-THRU
CAPACITOR**

Drawn L.E. 06-18-04

Scale 5X

Approved T.C. 06-18-04

A

2482-039-X7R0-501M