

**SPECIFICATIONS**

**Mechanical**

**Mating Force:** 3.0KG max per 12.7mm of connector  
**Unmating Force:** 0.5KG min per 12.7mm of connector  
**Durability:** 30 Cycles

**Electrical**

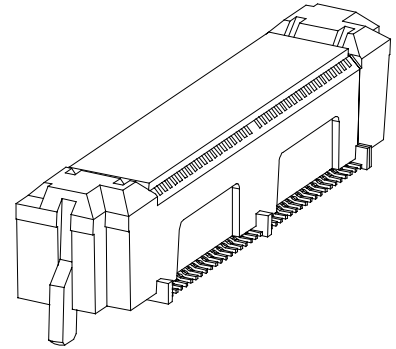
**Voltage Rating:** 30VAC  
**Current Rating:** Signal 0.5A max per pin  
 Power 3.0A max per pin  
**Contact Resistance:** 20mΩ max.  
**Insulation Resistance:** 5000MΩ min.

**Physical**

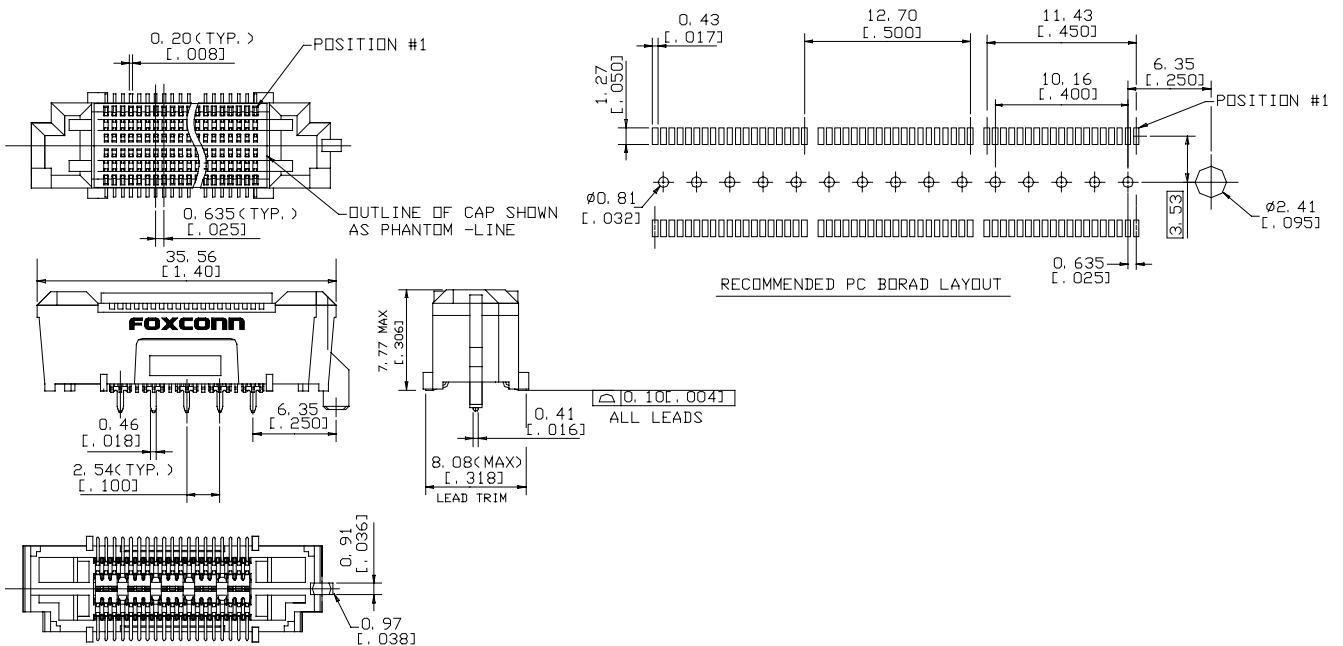
**Housing:** LCP UL94V-0, Ivory White  
**Contact:** Copper Alloy  
**Plating:** See "ORDERING INFORMATION"

**FOXTOR CONNECTOR**

**2T Series,**  
**Receptacle**  
**0.635mm [.025"] Pitch**  
**76 Pos.**



**DRAWING**



**ORDERING INFORMATION**

PRODUCT NO: 2 T 6 1 - N N N - 1 1 1 \* - A \*

POS. NO.  
076: 76POS.

PLATING  
1: 1.27 um GOLD

LEAD-FREE CODE  
N: NONE  
F: LEAD FREE

PACKAGING  
A: TUBE

HOLD DOWN  
0: W/O HOLD  
1: W/ HOLD