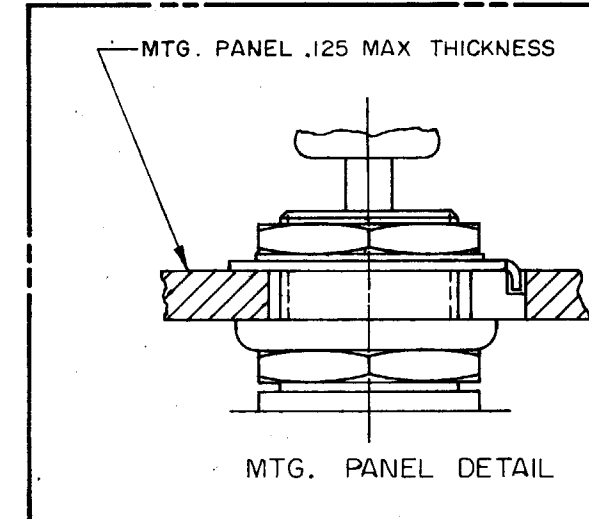
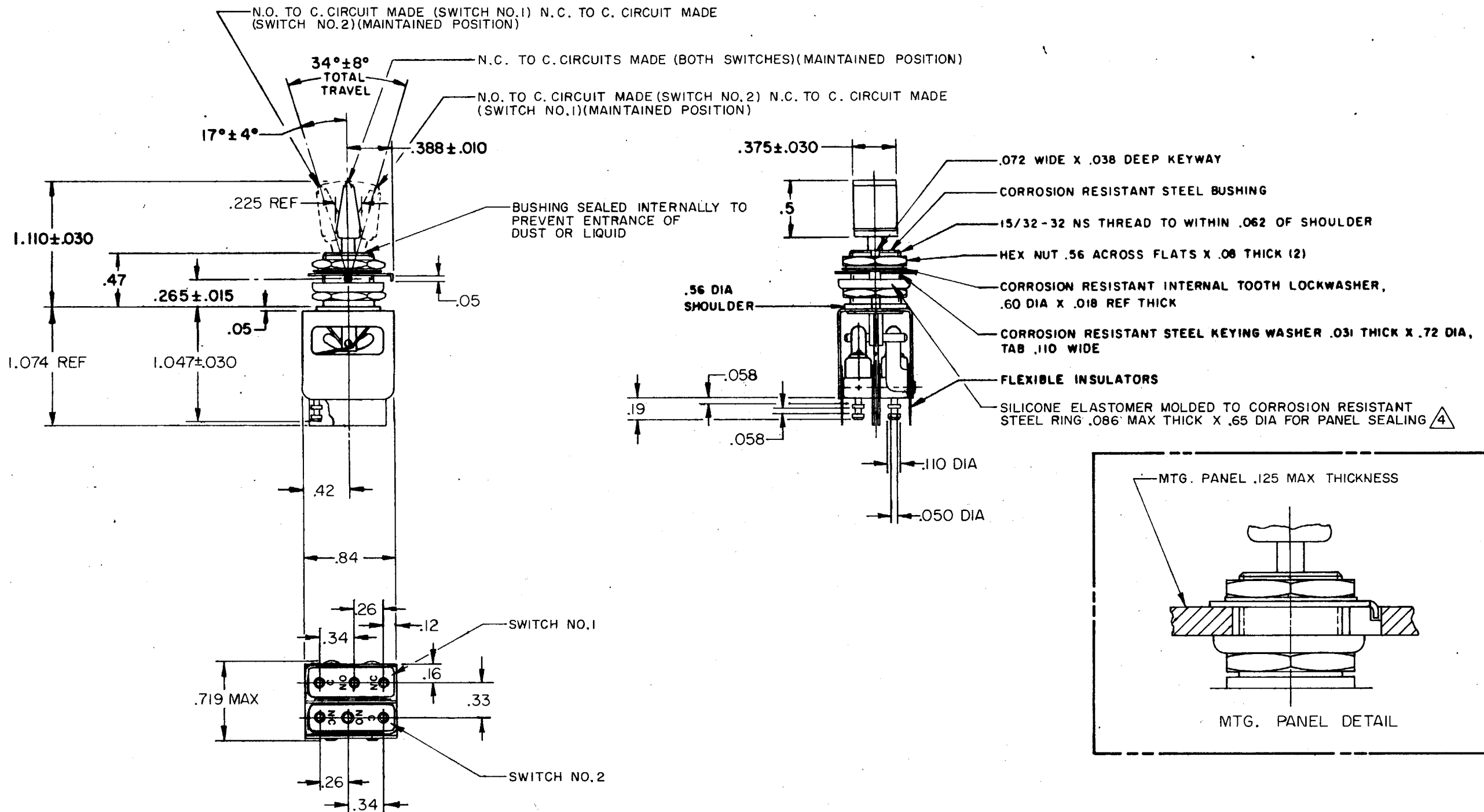


**ASSEMBLY-
 TOGGLE SWITCH**

CATALOG LISTING
31AT417-T2

31AT417-T2
 M
 DRAWING NUMBER
 X
 ISSUE
 84
 REVISIONS
 A CO 50566-B WJM 10 MAY 82
 B CO56281 G J W 28 SEP 85
 C CO66089 D A W 27 FEB 91
 CHECK 19 OCT 70
 CHECK ASD
 CHECK 19 OCT 70
 CHECK LSD
 DRAWN SRH 7 OCT 70
 RELEASE NO. PR-1478
 REPLACES



NOTE-

- 1 - UNIT INCLUDES CAT. LIST. 2ISM284-T2 BASIC SWITCH (2)
- 2 - TERMINALS ARE PLATED FOR SOLDERING
- 3 - KNOB PORTION OF TOGGLE LEVER BRIGHT ANODIZED
- ⁴ FOR PANEL SEAL TO BE EFFECTIVE, MTG HOLE IN PANEL SHOULD NOT EXCEED .500 DIA

THIS DRAWING COVERS A PROPRIETARY ITEM AND IS THE PROPERTY OF MICRO SWITCH, A DIVISION OF MINNEAPOLIS-HONEYWELL REGULATOR CO. THIS DRAWING IS NOT TO BE COPIED OR USED WITHOUT THE APPROVAL OF MICRO SWITCH.

CHARACTERISTICS	ELECTRICAL DATA	SCALE FULL
	CONTACT ARRANGEMENT SPDT (2)	DO NOT SCALE PRINT
	250 VAC ----- 5 AMP	UNLESS OTHERWISE NOTED
	30 VOLTS DC RATING	DIMENSIONS ARE IN INCHES
	INDUCTIVE ----- SEA LEVEL ----- 3 AMP	TOLERANCES ARE:
	50,000 FT ----- 2.5 AMP	ONE PLACE (.0) ±.030
	RESISTIVE ----- SEA LEVEL ----- 5 AMP	TWO PLACE (.00) ±.015
	50,000 FT ----- 5 AMP	THREE PLACE (.000) ±.008
	MAXIMUM INRUSH ----- 24 AMP	ANGLES ±
		WEIGHT .06 LB APPROX