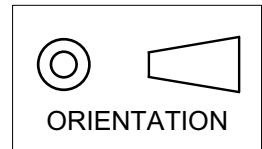
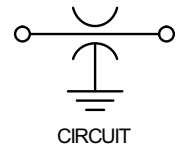
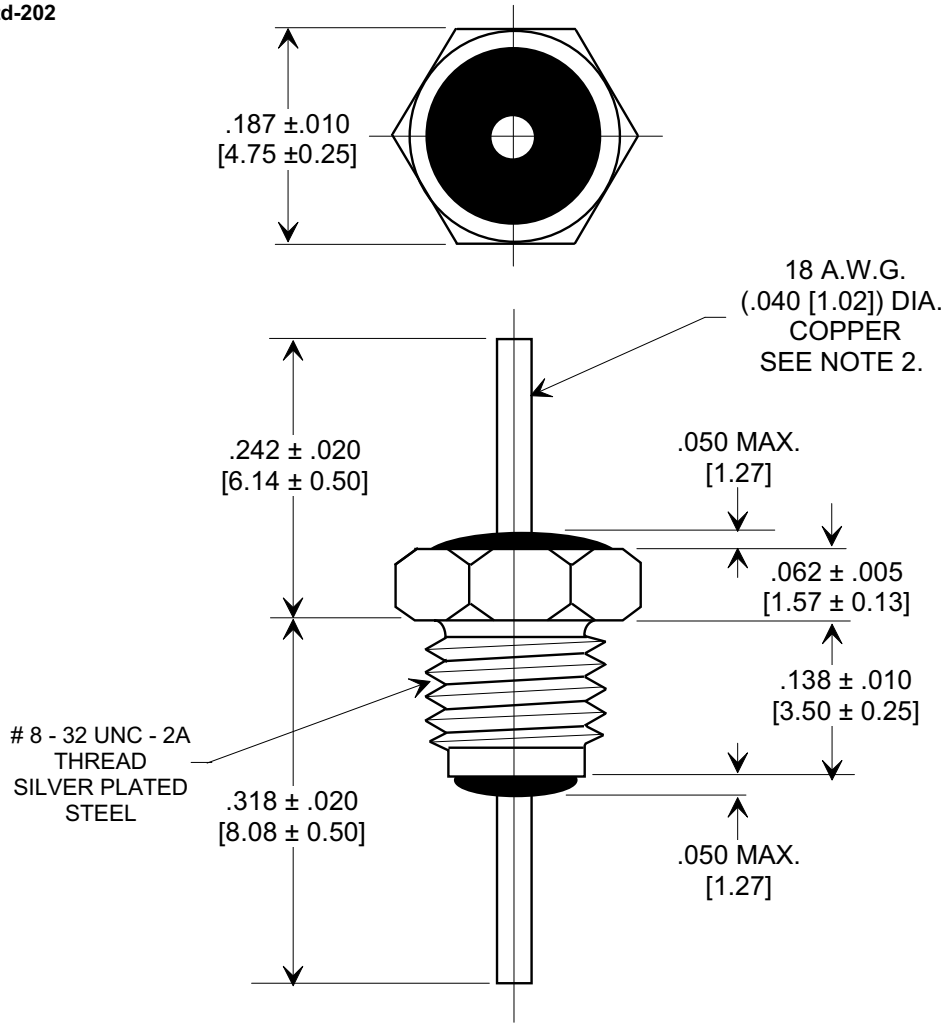


DIMENSIONS IN INCHES - DO NOT SCALE THIS DRAWING
 DIMENSIONS IN METRIC - []



Electrical Testing
 per Tusonix standard
 test plans and Mil-Std-202
 Test Methods.



NOTES:

- TUSONIX STANDARD PART NUMBER: 4205-681.
 TUSONIX RoHS COMPLIANT PART NUMBER: 4205-681 LF.
 CUSTOMER MUST SPECIFY STANDARD OR RoHS PART NUMBER WHEN ORDERING.
- LEAD FINISH: STANDARD PART #: 60/40 SOLDER PLATED COPPER.
 RoHS PART #: SILVER PLATED COPPER.
- PART MARKING: TRADEMARK AND VARIATION NUMBER ON HEX FLATS.
 STANDARD PART: BLACK INK. RoHS PART: GREEN INK.

5	250	125	15 A
MAX. CAP. (pF)	85° C	125° C	CURRENT I _{dc}
	WORKING VOLTAGE (V _{dc})		

X-2015 Rev-0 REVISION RECORD Original Release C.O. 19971107-4-01 RDN. TO COMP. FMT. S.M. 01-07-98 19980105-5-01 COMPLETELY REVISED L.E. 10-05-00 20001004-7-01 ADDED NOTES. S.M. 11-22-05 20051104-4-02	0	LINE FEED-THRU	Title		
	--TOLERANCES-- Unless Otherwise Specified		Drawn S.M. 01-07-98		
	DECIMAL ± // // //		Approved J.Mc. 01-07-98		
	ANGLES ± // // //		A	4205-681	
TUSONIX TUCSON, ARIZONA					