

RF Characteristics



Frequency GHz	VSWR (max)	Isolation dB (min)	Ins. Loss dB (max)
DC-4	1.20	80	0.20
4-8	1.30	75	0.30
8-12.4	1.40	70	0.40
12.4-18	1.50	60	0.50
*18-22	1.60	60	0.60
*22-26	1.60	55	0.60

* "K" option only

461 Latching Series, SMA

Specifications

Operating Voltage:

(across temperature range)
 12 Vdc (11-14 Vdc)
 28 Vdc (24-32 Vdc)

Coil Current (max @ nom.Vdc & 20°C):

12 Vdc 375 mA
 28 Vdc 200 mA

Switching Time:

15 mS maximum

Operating Temperature:

-25°C to +65°C (Standard)
 -55°C to +85°C (Extended "T" Option)

Mechanical Life, Cycles:

1,000,000 minimum

Vibration, Operating:

10 G RMS, 20-2000 Hz

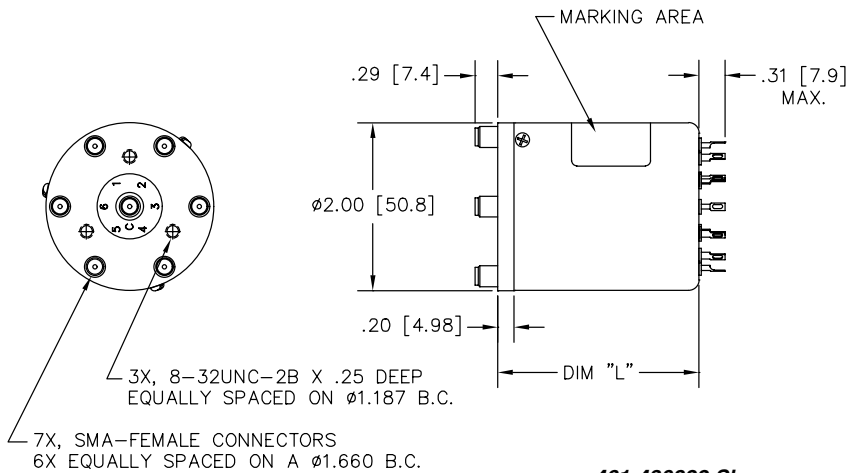
Mechanical Shock, Non-Operating:

50 G, 1/2 Sine, 11 ms

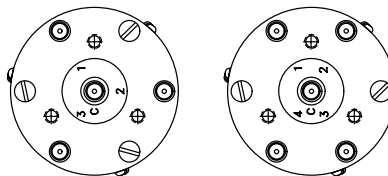
Nominal Weight:

11 oz., (312g.)

Mechanical



461-430822 Shown



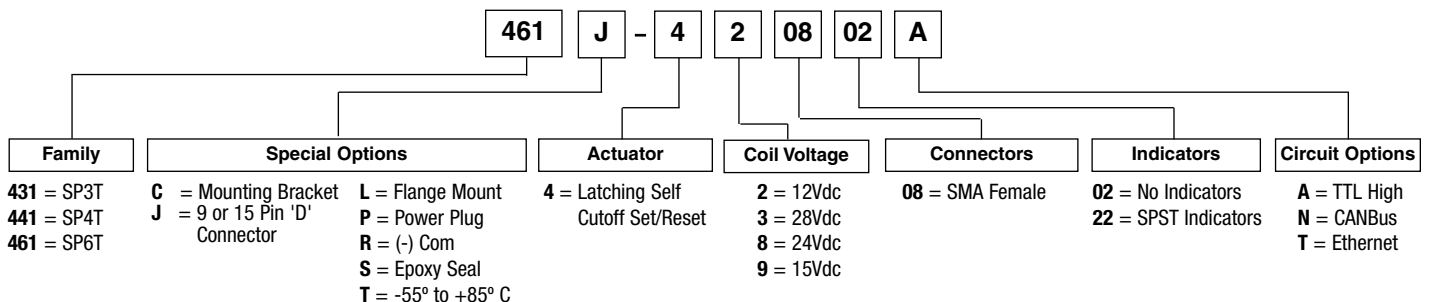
3 POSITION

4 POSITION

DIM "L" (MAX)	MODEL	ELEC. SCHEM.
2.40 [61.0]	4X1-4X08	1
2.70 [68.6]	4X1-4X0822	1
2.70 [68.6]	4X1-4X0802A	2
3.00 [76.2]	4X1-4X0822A	2

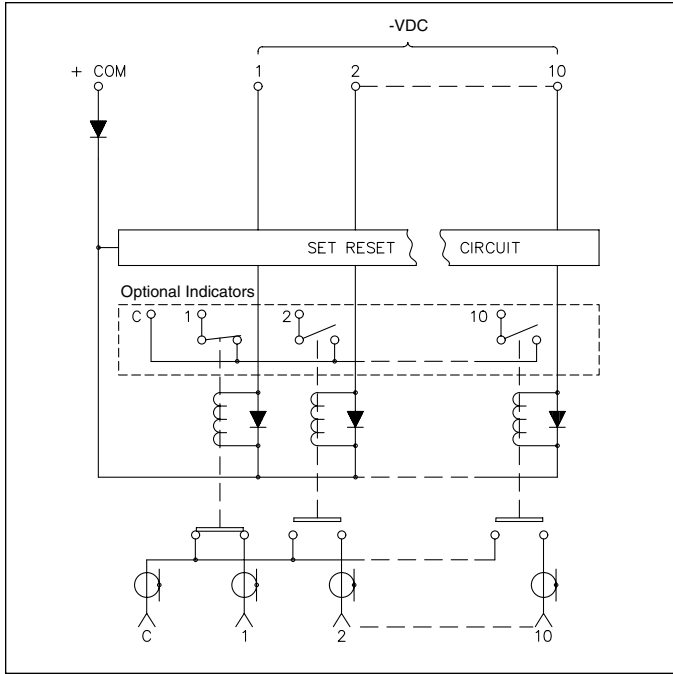
For Electrical Schematic see page # 3-17

Part Number Selection

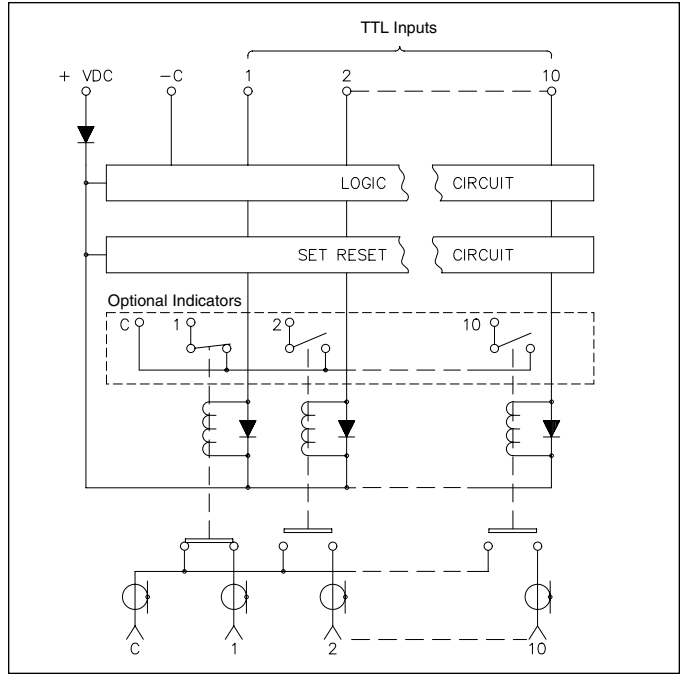




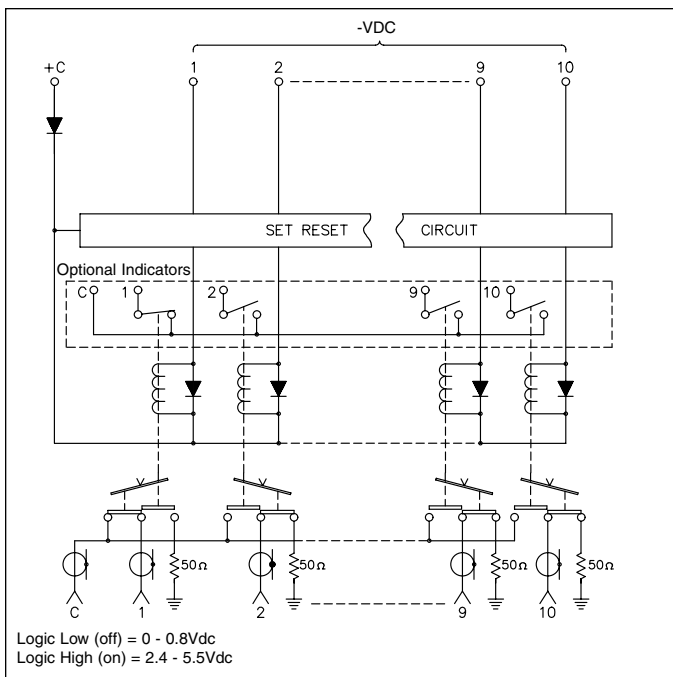
1 Latching Self Cutoff



2 Latching Self Cutoff TTL



3 Latching SCO Terminated



4 Latching SCO Terminated TTL

