

FEATURES AND SPECIFICATIONS

Features and Benefits

- Sizes 2 to 25 circuits
- Stackable end-to-end
- Polarized latching ribs mate with Molex KK® series .100" pitch friction lock headers

Reference Information

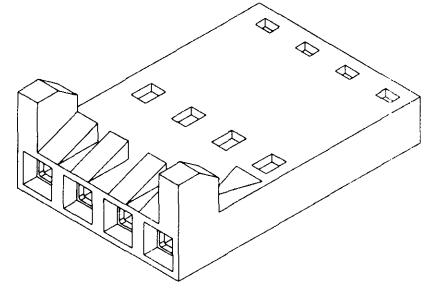
Product Specification: PS-70058
 Packaging: Bag
 UL File No.: E29179
 CSA File No.: LR19980
 Mates With: 6373 and 7478
 Use With: 70058 and 71851 crimp terminals
 Designed In: Inches

Physical

Housing: Black glass-filled polyester, UL 94V-0
 Operating Temperature: -40 to +105°C

molex® 2.54mm (.100") Pitch
SL™
Crimp Housing

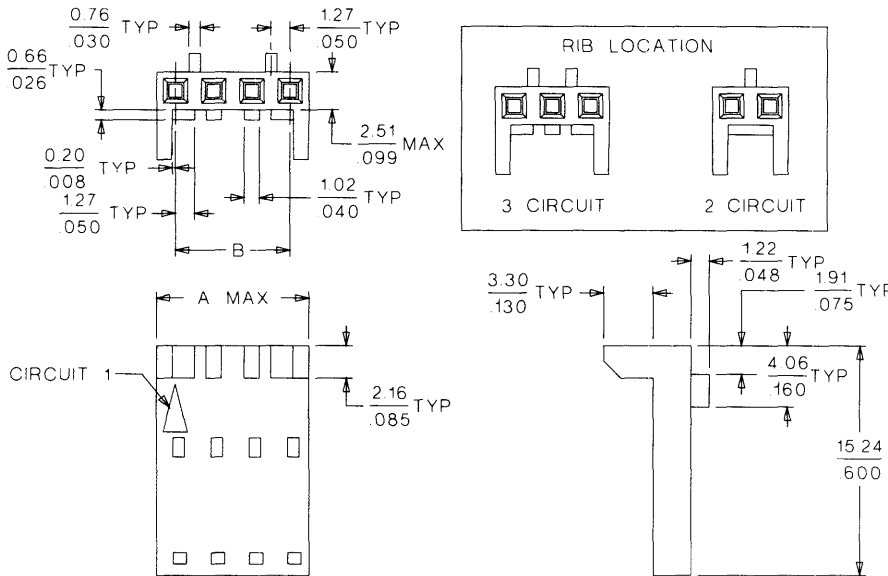
70066
Single Row
Version H




2.54mm (.100") Pitch

CATALOG DRAWING (FOR REFERENCE ONLY)

Not For Use With C-Grid III™ Components



Delivered on a carrier with 20 pieces per strip.
Actual Size  **Universal Polarizing Pin 40713-1**
 Order No. 15-04-0292

ORDERING INFORMATION AND DIMENSIONS

Circuits	Order No.	Dimension	
		A	B
2	• 50-57-9502	5.05 (.199)	2.54 (.100)
3	• 50-57-9503	7.59 (.299)	5.08 (.200)
4	• 50-57-9504	10.13 (.399)	7.62 (.300)
5	• 50-57-9505	12.67 (.499)	10.16 (.400)
6	• 50-57-9506	15.21 (.599)	12.70 (.500)
7	• 50-57-9507	17.75 (.699)	15.24 (.600)
8	• 50-57-9508	20.29 (.799)	17.78 (.700)
9	• 50-57-9509	22.83 (.899)	20.32 (.800)
10	• 50-57-9510	25.37 (.999)	22.86 (.900)
11	• 50-57-9511	27.91 (1.099)	25.40 (1.000)
12	• 50-57-9512	30.45 (1.199)	27.94 (1.100)
13	• 50-57-9513	32.99 (1.299)	30.48 (1.200)

Circuits	Order No.	Dimension	
		A	B
14	• 50-57-9514	35.53 (1.399)	33.02 (1.300)
15	• 50-57-9515	38.07 (1.499)	35.56 (1.400)
16	• 50-57-9516	40.61 (1.599)	38.10 (1.500)
17	• 50-57-9517	43.15 (1.699)	40.64 (1.600)
18	• 50-57-9518	45.69 (1.799)	43.18 (1.700)
19	• 50-57-9519	48.23 (1.899)	45.72 (1.800)
20	• 50-57-9520	50.77 (1.999)	48.26 (1.900)
21	• 50-57-9521	53.31 (2.099)	50.80 (2.000)
22	• 50-57-9522	55.85 (2.199)	53.34 (2.100)
23	• 50-57-9523	58.39 (2.299)	55.88 (2.200)
24	• 50-57-9524	60.93 (2.399)	58.42 (2.300)
25	• 50-57-9525	63.47 (2.499)	60.96 (2.400)

• US Standard Product, available through Molex franchised distributors