



# VERTICAL / HORIZONTAL TOROIDAL COILS AIGT-AT SERIES

### FEATURES:

- High Saturation Material
- Wide Inductance Range
- High Current Capability
- Long Term Stability
- High Reliability
- Low DC Resistance

### OPTIONS:

- Bulk Packaging is Standard
- Tolerance: 15% is Standard, Tighter Tolerances Available
- Mounting: (V)ertical and (H)orizontal is Standard
- Inductance: Optional Values Available

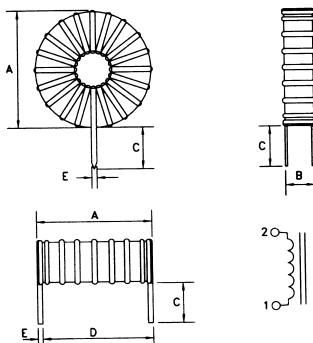
### COMMON APPLICATIONS:

- Switching Regulators
- Automotive Systems
- Power Amplifiers
- Power Supplies
- SCR and Triac Controls
- Speaker Crossover Networks
- EMI/RFI Suppression
- Filters

## STANDARD SPECIFICATIONS

Part Number	L μH	IDC Max Amps	RDC Ω Max	A NOM	B NOM	C NOM	D NOM	E ±.005
AIGT-AT Series								
AIGT-AT-100-3.0( )	10	3.0	.010	0.62	.25	.50	0.56	.036
AIGT-AT-100-6.0( )	10	6.0	.015	0.82	.32	.50	0.72	.046
AIGT-AT-250-2.0( )	25	2.0	.020	0.62	.25	.50	0.56	.032
AIGT-AT-250-4.0( )	25	4.0	.025	0.82	.32	.50	0.75	.040
AIGT-AT-250-6.0( )	25	6.0	.020	1.10	.37	.50	1.02	.051
AIGT-AT-250-10.0( )	25	10.0	.015	1.30	.56	.75	1.15	.064
AIGT-AT-500-1.5( )	50	1.5	.030	0.62	.25	.50	0.56	.028
AIGT-AT-500-3.0( )	50	3.0	.035	0.82	.32	.50	0.75	.036
AIGT-AT-500-4.5( )	50	4.5	.030	1.10	.40	.50	1.02	.046
AIGT-AT-500-7.0( )	50	7.0	.020	1.30	.55	.75	1.20	.057
AIGT-AT-750-1.0( )	75	1.0	.045	0.62	.25	.50	0.56	.025
AIGT-AT-750-2.0( )	75	2.0	.050	0.82	.32	.50	0.75	.032
AIGT-AT-750-4.0( )	75	4.0	.035	1.10	.40	.50	1.02	.040
AIGT-AT-750-6.0( )	75	6.0	.025	1.30	.55	.75	1.20	.051
AIGT-AT-1011.0( )	100	1.0	.055	0.62	.25	.50	0.56	.025
AIGT-AT-101-1.5( )	100	1.5	.070	0.82	.32	.50	0.72	.028
AIGT-AT-101-3.0( )	100	3.0	.050	1.10	.40	.50	1.02	.036
AIGT-AT-101-5.0( )	150	5.0	.030	1.30	.56	.75	1.20	.051
AIGT-AT-151-1.0( )	150	1.5	.120	0.62	.25	.50	0.56	.020
AIGT-AT-151-1.5( )	150	2.0	.100	0.87	.35	.50	0.75	.025
AIGT-AT-151-2.0( )	150	5.0	.070	1.10	.40	.50	1.02	.036
AIGT-AT-151-5.0( )	250	1.5	.050	1.30	.75	.75	1.20	.045
AIGT-AT-251-1.5( )	250	2.0	.155	0.85	.35	.50	0.75	.023
AIGT-AT-251-2.0( )	250	3.0	.090	1.15	.40	.50	1.02	.032
AIGT-AT-251-3.0( )	500	1.5	.070	1.25	.56	.75	1.20	.040
AIGT-AT-501-1.5( )	500	2.0	.180	1.15	.40	.50	1.05	.028
AIGT-AT-501-2.0( )	750	1.0	.130	1.30	.56	.75	1.20	.032
AIGT-AT-751-1.0( )	750	2.0	.250	1.15	.40	.50	1.05	.025
AIGT-AT-751-2.0( )	750	1.0	.170	1.30	.60	.75	1.25	.032
AIGT-AT-102-1.5( )	1000	1.5	.220	1.30	.60	.75	1.20	.028

## PHYSICAL CHARACTERISTICS



Dimensions: Inches

## TECHNICAL INFORMATION:

- Testing (Equivalent acceptable)  
Inductance: Measured @ 1KHz  
RDC: QuadTech 1880 Milliohm meter
- IDC Max: Current which will cause a maximum of 15% drop in inductance
- Temperature Range: -55°C to +125°C
- Mounting: Add (V), (H) as Suffix to Part Number

Note: All specifications subject to change without notice.