

CASD18U11D

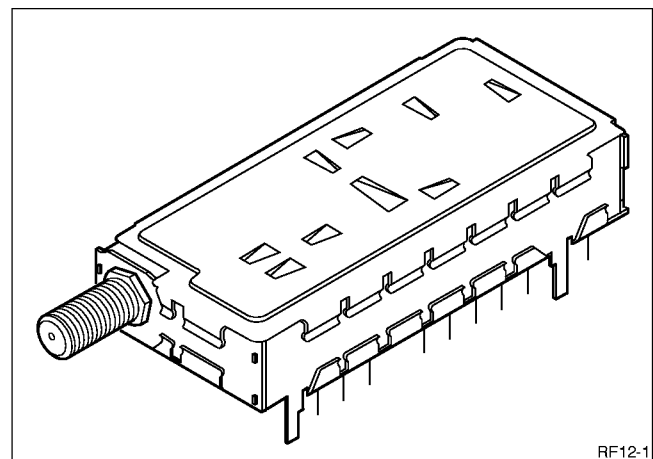
Single Conversion CATV Tuner

APPLI CATI ONS:

- Set-top box
- Cable modem
- Data receiver
- PC add-in card

FEATURES

- PLL tuning
- Step size: 62.5 kHz
- Low noise figure
- 25 dB minimum AGC range
- 28 dB minimum conversion gain
- Low phase noise
- Maximum input level:
 - + 15 dBmV on any single channel
- 5 MHz to 40 MHz return path
- 6 MHz 3 dB bandwidth
- Input and output impedance: 75 Ω
- U.S. IF output SAW at 43.75 MHz
- Dimensions: 70 mm x 34 mm x 11.5 mm

STANDARD PACKAGE WITH F CONNECTOR

RF12-1

DESCRIPTION

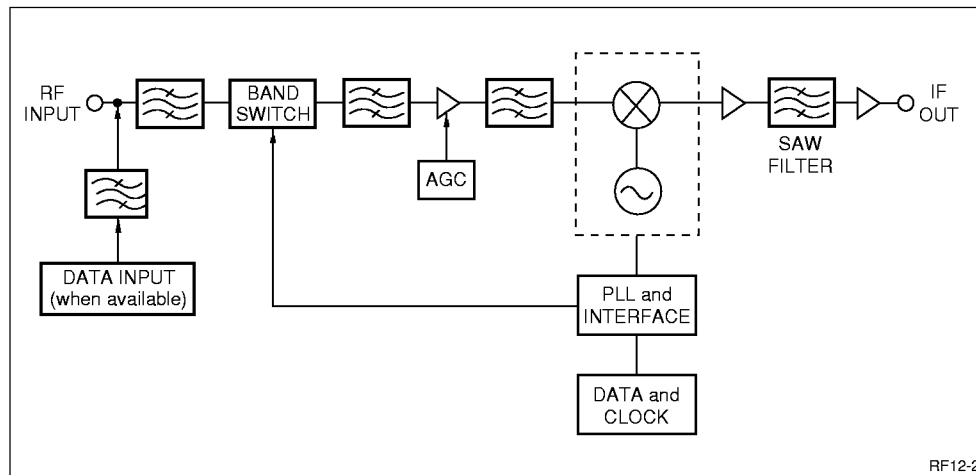
The CASD18U11D tuner is designed for reception of modulated digital data streams. This tuner can be used for consumer set-top or PC add-in card receivers for digital video and data modems.

The first Local Oscillator is Phase-Locked Loop tuned using a I²C serial data bus.

Two main power supply voltages are used: 5 V and 9 V. A +30 V 1.5 mA supply is required for the tuning voltage.

PRODUCT INFORMATION
SHARP®

CASD18U11D FUNCTIONAL BLOCK DIAGRAM



**SHARP Microelectronics
of the Americas
Regional Sales Offices**

North American
Headquarters
Camas, WA
Ph (360) 834-2500
Fax (360) 834-8903

West
Irvine, CA
Ph (714) 250-0225
Fax (714) 250-0438
San Jose, CA
Ph (408) 436-4900
Fax (408) 436-0924

Central
Romeoville, IL
Ph (708) 226-2400
Fax (708) 759-8572
Auburn Hills, MI
Ph (810) 377-9220
Fax (810) 377-9222

Austin, TX
Ph (512) 349-7262
Fax (512) 349-7002

DFW Airport, TX
Ph (214) 574-5205
Fax (214) 456-0360

Houston, TX
Ph (713) 955-9909
Fax (713) 955-9910

East
Burlington, MA
Ph (617) 270-7979
Fax (617) 229-9117

Annandale, NJ
Ph (908) 713-0505
Fax (908) 713-0566

Durham, NC
Ph (919) 941-0065
Fax (919) 941-0066

Distributors

Future Electronics
Canada
Ph (514) 694-7710
Fax (514) 695-3707

Marshall Industries
El Monte, CA
Ph (800) 522-0084
Fax (818) 307-6173
URL <http://www.marshall.com>

Milgray
Farmindale, NY
Ph (800) MILGRAY (645-4729)
Fax (516) 293-6465

Reptron
Tampa, FL
Ph (800) 659-1361
Fax (813) 854-2351

Sterling Electronics Corp.
Houston, TX
Ph (800) 745-5500
Fax (713) 629-3939

FastFax Service: 1-800-833-9437
Product Information: 1-800-642-0261
World Wide Website: <http://www.sharpsma.com>

SHARP
FROM SHARP MINDS
COME SHARP PRODUCTS™