

NOTES:

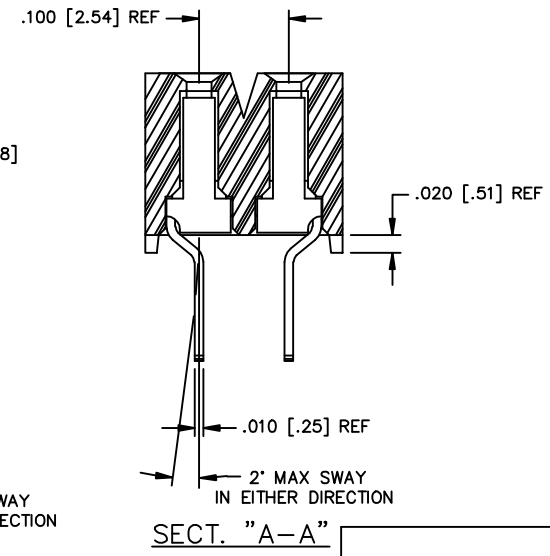
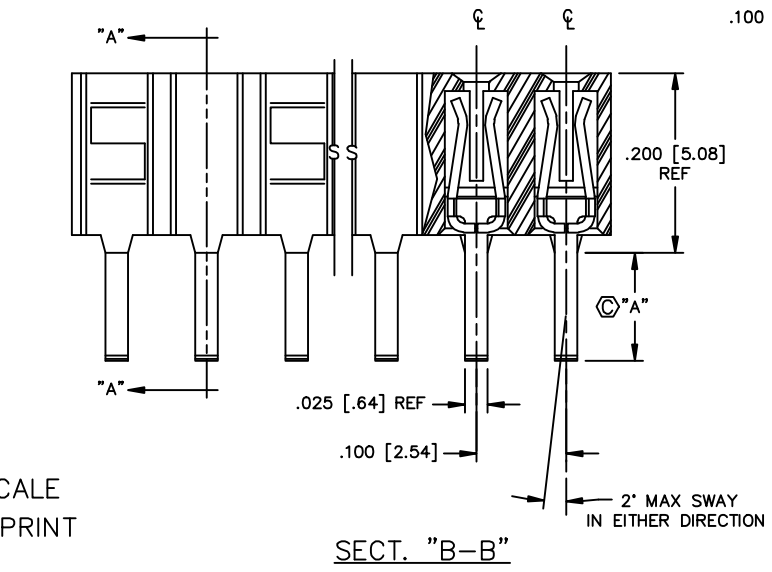
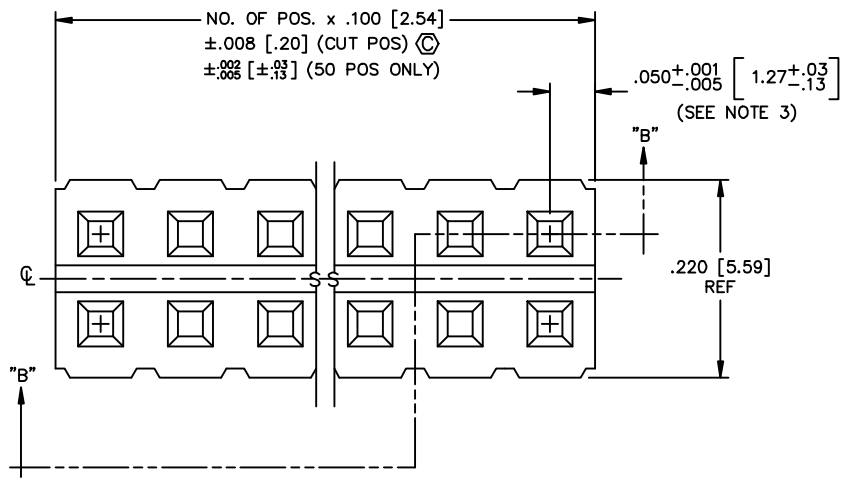
- CONTACT RETENTION 2 LB MIN EXCEPT ON POSITONS NEXT TO CUT, THEN 1 LB MIN.
- MAX ALLOWABLE BOW: .006 [.15] IN/IN
- "END WALLS" AFTER CUTTING SHOULD BE  $.015 \pm .001$  [ $.38 \pm .03$ ].
- ⊕ REPRESENTS A CRITICAL DIMENSION.
- CUT FLASH: .015 [.38] MAX WITH NO FLASH ALLOW IN HOLES.
- .003 [.08] MAX TERMINAL BURR.
- NOTE DELETED.

DIMENSIONS ARE IN INCHES		UNLESS OTHERWISE NOTED		TOLERANCES ARE:	
ONE PLACE DECIMALS ± .1 [3]	THREE PLACE DECIMALS ± .005 [.13]	ANGLES	± 2°		
TWO PLACE DECIMALS ± .01 [.3]	FOUR PLACE DECIMALS ± .0020 [.051]				

TITLE:	CLOSED ENTRY SOCKET STRIP DOUBLE ROW ASSEMBLY	DWG NO:	CES-1XX-XX-X-D
		SHEET 1 OF 1	

CES-1XX-XX-X-D

- POSITION SPECIFICATIONS**  
-01 THRU -50
- CONTACT LEAD STYLE**  
-01: "A" =  $.128 \pm .004$  [ $3.25 \pm .10$ ] (USE C-45-01-X)  
-02: "A" = .223 [5.66] (USE C-45-02-X)
- ROW SPECIFICATION**  
-D: DOUBLE (USE CES-XX-D)
- PLATING SPECIFICATIONS**  
-T: TIN - SPECIFY -T IN CONTACT SUFFIX -X  
-G: GOLD - SPECIFY -G IN CONTACT SUFFIX -X  
-S: SELECTIVE - SPECIFY -S IN CONTACT SUFFIX -X  
-F: FLASH GOLD - SPECIFY -F IN CONTACT SUFFIX -X (AVAILABLE IN -01 LEAD STYLE ONLY)



PT-1-24-01-95

PACKAGING VIEW LEAD STYLE -01  
SCALE: .75

PT-1-24-02-53

PACKAGING VIEW LEAD STYLE -02  
SCALE: .75

NOTE:  
PINS TO ALL BE FACING THE SAME DIRECTION

CONTACT LEAD STYLE	PACKAGING TUBE	TUBE PLUG
-01	PT-1-24-01-95	TP-09
-02	PT-1-24-02-53	TP-09

DO NOT SCALE FROM THIS PRINT

**PROPRIETARY NOTE**  
THIS DOCUMENT CONTAINS INFORMATION CONFIDENTIAL AND PROPRIETARY TO SAMTEC INC. AND SHALL NOT BE REPRODUCED OR TRANSMITTED TO OTHER DOCUMENTS OR DISCLOSED TO OTHERS OR USED FOR ANY PURPOSE OTHER THAN THAT FOR WHICH IT WAS OBTAINED WITHOUT THE EXPRESSED WRITTEN CONSENT OF SAMTEC INC.

MATERIAL:  
GLASS FILLED POLYESTER  
COLOR: BLACK

TERMINAL:  
PHOS BRONZE

EXISPROD\ASSEMBLY\100 CES-ASMD

**samtec**

520 PARK EAST BLVD. NEW ALBANY, INDIANA 47150  
PHONE (812) 944-6733 P.O. BOX 1147  
CODE 55322

MADE BY: REIDINGER 9-9-92

CES-1XX-XX-X-D  
SHEET 1 OF 1