



Ordering number CN13990_SAGA-HB-IP-WHT

Family	Saga	FWHM	58 degrees
Type	Assembly	Efficiency	92 %
LED	VERO10	cd/lm	0.850
Color	White	Gerber File	Available
Diameter	50 mm		
Height	12 mm		
Style	Round		
Optic Material	Silicone		
Holder Material	PC		
Fastening	Screw		
Status	On production		

NOTE: The typical divergence will be changed by different color, chip size and chip position tolerance. The typical total divergence is the full angle measured where the luminous intensity is half of the peak value.



PRODUCT DATASHEET

Saga series

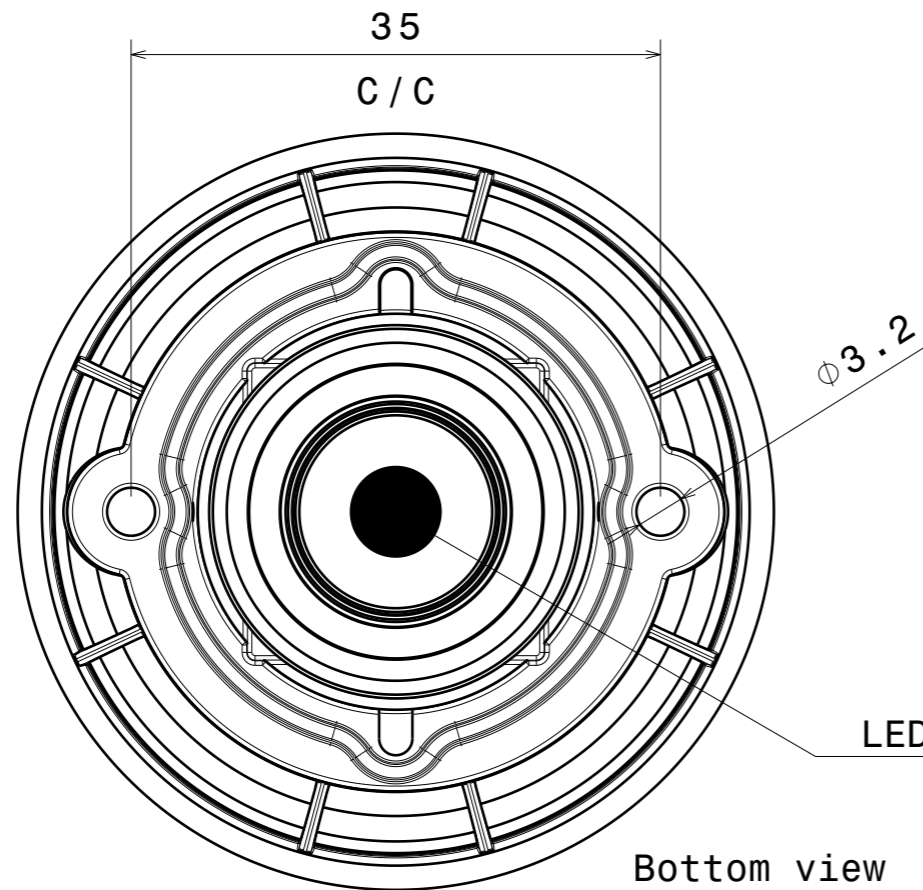
last update 24/9/2013



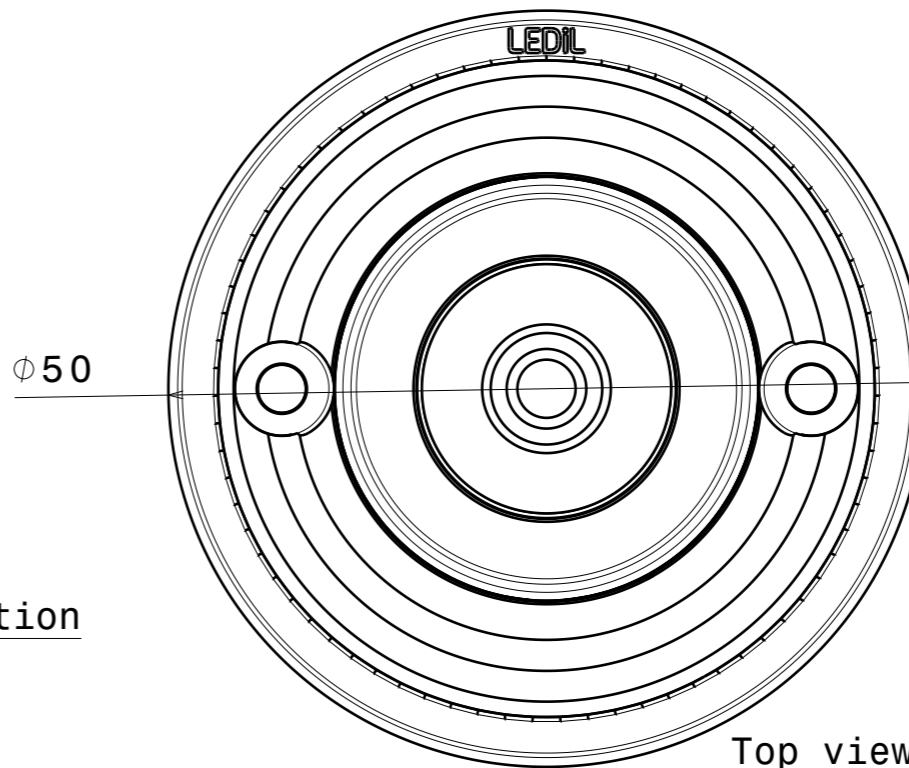
GENERAL INFORMATION

- Product series especially designed & optimized for VERO10 series of LEDs.
- Special care taken to make light distribution as uniform as possible.
- Optic holder molded by high quality PC material (120 degrees of Celcius / 248 degrees of Fahrenheit).

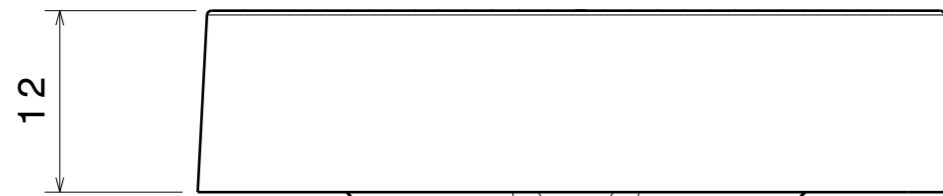
H G F E D C B A



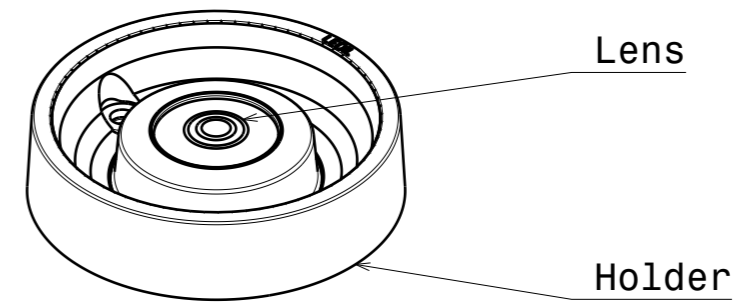
Bottom view
Scale: 2:1



Top view
Scale: 2:1



Front view
Scale: 2:1



Isometric view
Scale: 1:1

Tolerances if not otherwise shown
According to DIN ISO 2768-1
Linear measures:
Up to 30mm class F, otherwise class M.
According to DIN ISO 2768-2
Form and position: class K

LEDiL LediL Oy
Salorankatu 10
FIN 24240 SALO
Finland

THIRD ANGLE PROJECTION:

DRAWING TITLE
CN13990_SAGA-HB-IP-WHT

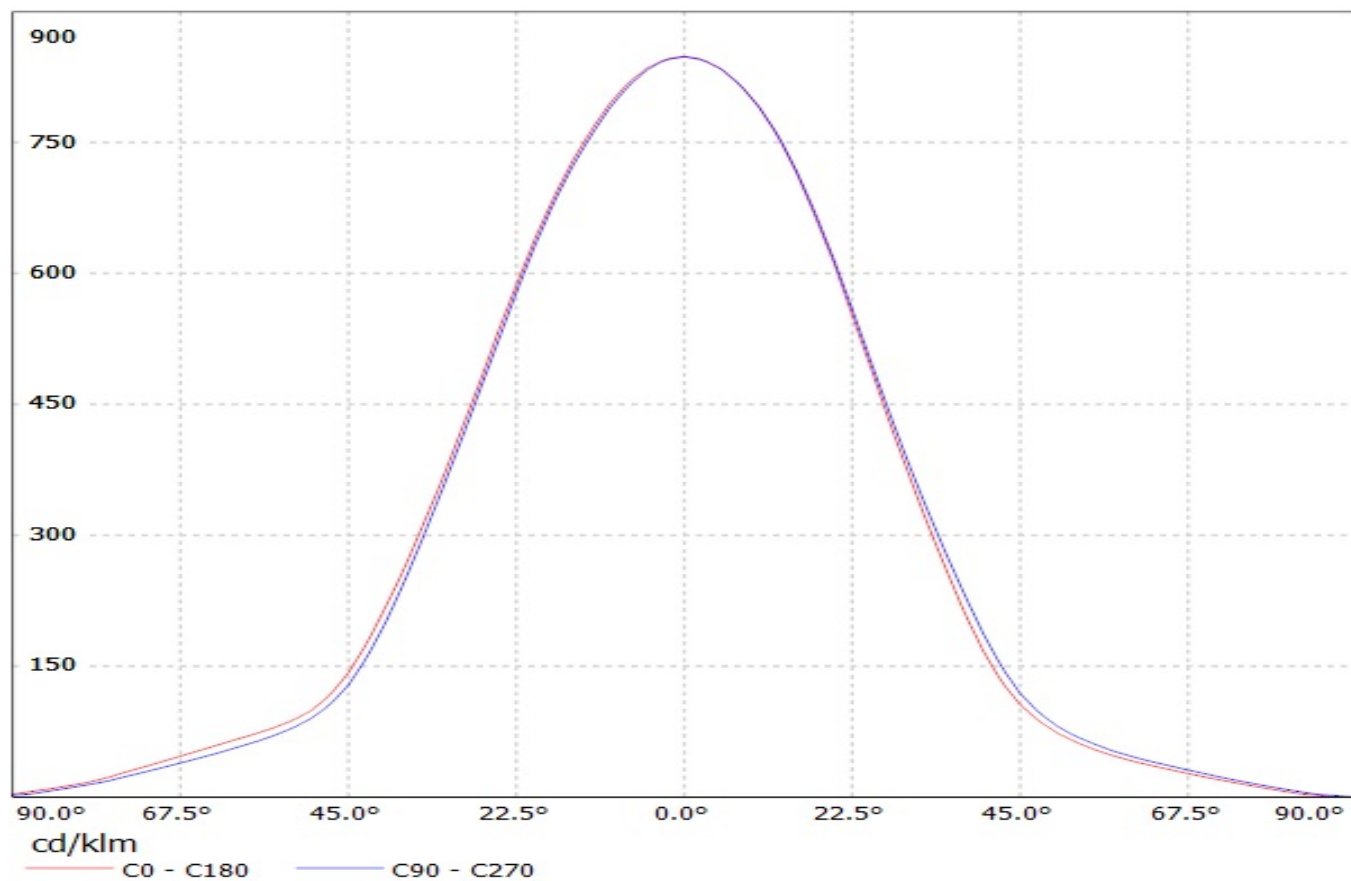
This drawing is the property
of LEDiL Oy. It may not be
reproduced, copied or
communicated without a written
agreement with LEDiL Oy."

SIZE	PART NUMBER
A3	CN13990

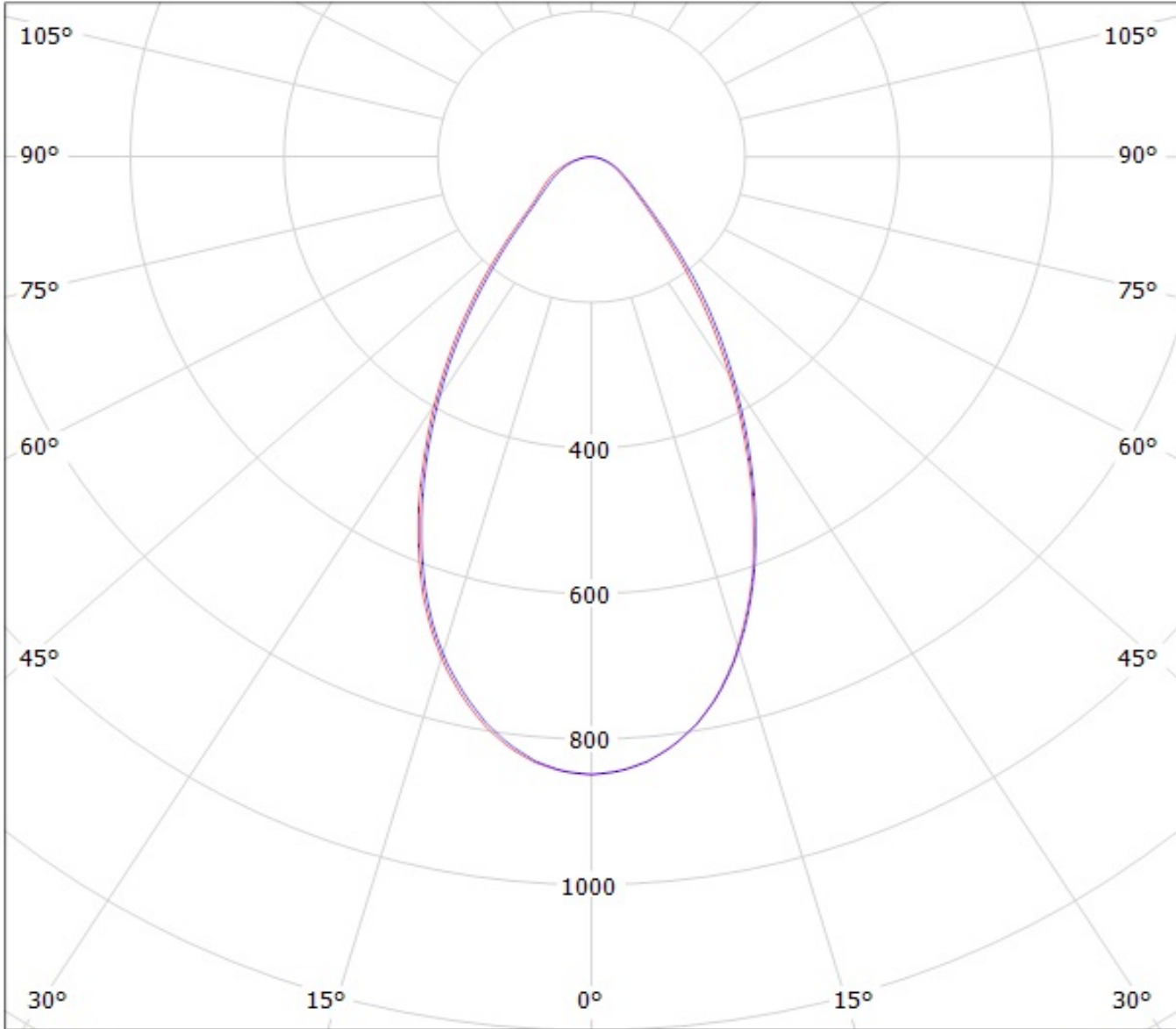
SCALE	2:1	WEIGHT	-	SHEET	1/1
-------	-----	--------	---	-------	-----

H G B A

Luminaire: LEDiL Oy CN13990_SAGA-HB-IP-WHT_(VERO10) Eff.92%
Lamps: 1 x VERO10_(BXRC-30E1000B)_625lm@250mA_CCT=3000K_P=6.18827W_I=249.9mA



Luminaire: LEDiL Oy CN13990_SAGA-HB-IP-WHT_(VERO10) Eff.92%
Lamps: 1 x VERO10_(BXRC-30E1000B)_625lm@250mA_CCT=3000K_P=6.18827W_I=249.9mA



cd/klm

— C0 - C180 — C90 - C270

$\eta = 92\%$