

## SMD INDUCTOR DR331-4 SERIES

### Features

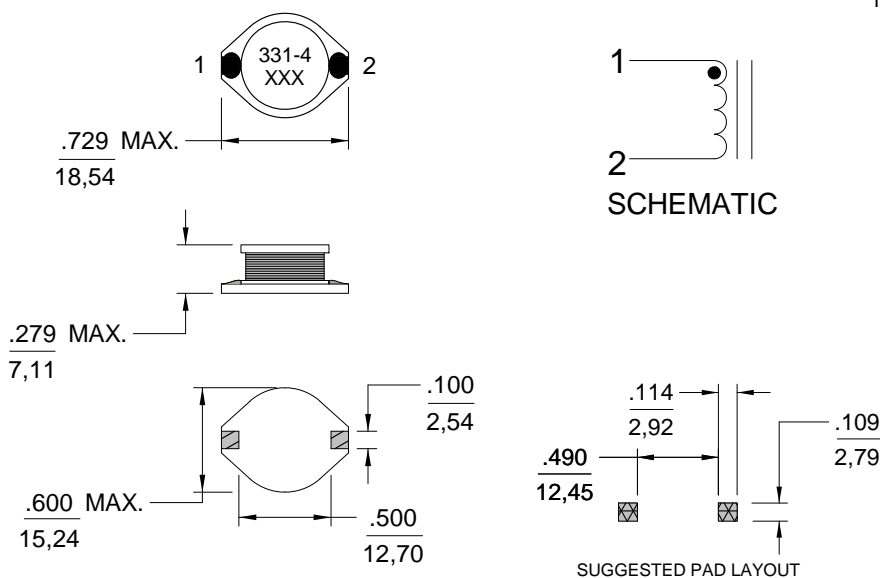
- Low Profile Surface Mount Design
- Inductance Range from 1.0 $\mu$ H to 1000 $\mu$ H
- Operating Temp. -40°C to +85°C
- Tinned Leads with Leaded Solder is Available (note 6)



### ELECTRICAL SPECIFICATIONS 25°C

Part No.	Inductance ( $\mu$ H) $\pm 20\%$	DCR ( $\Omega$ ) Max.	I rms (A) Max. (Note 3)	I sat (A) Max. (Note 2)	SRF (MHz) REF.
DR331-4-102	1	0.009	8.6	20	80
DR331-4-222	2.2	0.014	7.1	16	80
DR331-4-332	3.3	0.018	6.2	14	60
DR331-4-562	5.6	0.020	5.3	12	40
DR331-4-103	10	0.031	4.3	10	30
DR331-4-153	15	0.036	4	8	22
DR331-4-223	22	0.047	3.5	7	20
DR331-4-333	33	0.066	3	5.5	15
DR331-4-473	47	0.086	2.6	4.5	9.0
DR331-4-683	68	0.13	2.3	3.5	8.0
DR331-4-104	100	0.19	1.8	3	7.0
DR331-4-154	150	0.25	1.5	2.6	6.0
DR331-4-224	220	0.38	1.2	2.4	5.0
DR331-4-334	330	0.56	1.0	1.9	4.0
DR331-4-474	470	0.85	0.82	1.4	3.0
DR331-4-684	680	1.1	0.72	1.2	2.5
DR331-4-105	1000	1.8	0.56	1.0	2.0

### MECHANICAL SPECIFICATIONS



### NOTES:

1. Dimensions are shown in inches/millimeters  
Unless otherwise specified, tolerance  
= Inches:  $\pm 0.010$   
= Millimeters:  $\pm 0.25$
2. Isat based on the inductance being 90% of its initial value
3. I rms based on temperature rise of 40°C
4. Tape & Reel Packaging, 400 pcs / reel.
5. Inductance tested at 0.1 Vrms @ 100 kHz
6. For non-RoHS parts replace DR prefix with 42- (e.g. DR331-4 becomes 42-331-4)
7. Terminal finish is compliant to RoHS requirements. Solder in accordance with J-STD-020D.