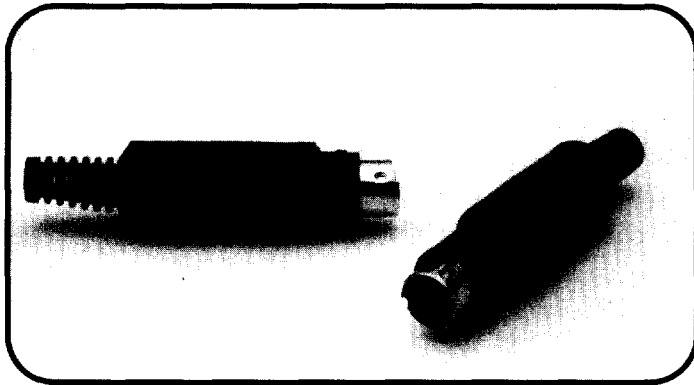


MINI-DIN CONNECTORS

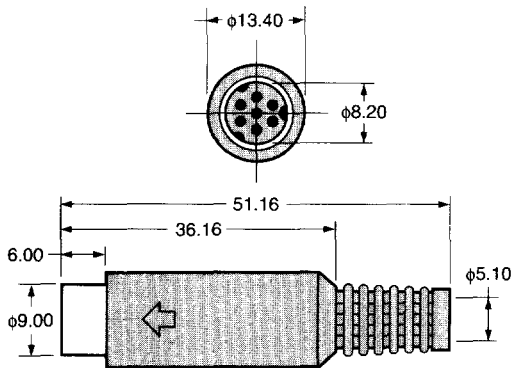
MMDM Series Shielded Male Plug



FEATURES

- Male — Shielded
- Polarizing key

DIMENSIONS



MAXCONN

Performance Specifications

Materials and Finish

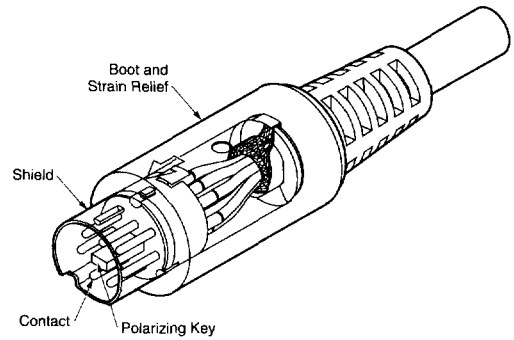
Shield/Shield: Steel, nickel finish
 Insert: PBT thermoplastic, black color, 30% glass filled, self-extinguishing, 94V-0 rated
 Contact Material: Brass
 Contact Finish: Plated silver 30 microinch over 50 microinch nickel

Mechanical Characteristics

Contact Separation Force: 1.35 ounces, minimum per contact
 Contact Engagement Force: 1.60 ounces, maximum per contact

Electrical Characteristics

Contact Current Rating: 1 amp
 Contact Resistance: 30 milliohms maximum
 Dielectric Withstanding Voltage: 500 Vac
 Insulation Resistance: 1000 megohms minimum
 Temperature Rating: -25° C to + 85° C



HOW TO ORDER

MMDM - 8 - S - B - 1

Series

Number of Positions
3, 4, 5,
6, 7, 8

S — Shielded

Plating

1 — 50 microinch Silver
 2 — 10 microinch Gold

Color

B — Black (Standard)
 A — Platinum* (Apple Computer)
 I — Pearl white* (IBM)

* 5,000 piece minimum order

Arrangement of Contacts	Number of Contacts	Arrangement of Contacts	Number of Contacts
	3		7
	4		8
	5		
	6		