

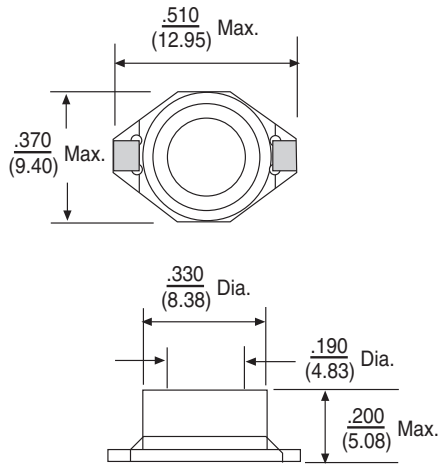


RL-3316-S

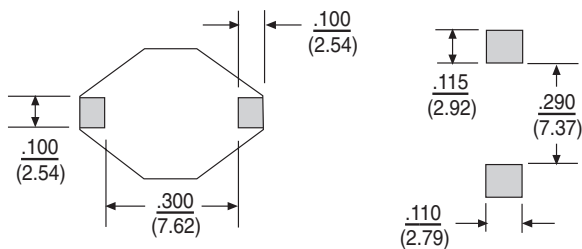
SHIELDED SMD POWER INDUCTORS



The RL-3316-S Series offers shielded surface mount power inductors in an extremely small flat top package. They have a footprint of .370" x .510" and are low cost with high energy storage. Available in 11 values with inductance ratings from 1.0µH to 47µH and currents up to 5.0 Amps.



LAND PATTERN



TAPE AND REEL PACKAGING

Pieces per Reel 500
Plastic Reel Size 13"

ALL DIMENSIONS IN INCHES (mm)

PART NUMBER	Inductance (µH)	SRF TYP (MHz)	DCR max. (mΩ)	DC SAT (Amps)	Rated Current (Amps)
RL-3316-S-1.0	1.0 ± 20%	130.0	21	5.60	5.00
RL-3316-S-1.5	1.5 ± 20%	110.0	22	5.20	4.50
RL-3316-S-2.2	2.2 ± 20%	90.0	27	5.00	3.10
RL-3316-S-3.3	3.3 ± 20%	65.0	30	3.90	2.90
RL-3316-S-4.7	4.7 ± 20%	50.0	40	3.20	2.50
RL-3316-S-6.8	6.8 ± 20%	30.0	55	2.80	2.20
RL-3316-S-10	10.0 ± 20%	28.0	65	2.40	2.00
RL-3316-S-12	12.0 ± 20%	25.0	80	2.20	1.80
RL-3316-S-15	15.0 ± 20%	20.0	85	2.00	1.70
RL-3316-S-18	18.0 ± 15%	19.0	90	1.80	1.60
RL-3316-S-22	22.0 ± 15%	18.0	100	1.60	1.40
RL-3316-S-27	27.0 ± 15%	16.0	120	1.50	1.30
RL-3316-S-33	33.0 ± 15%	14.0	160	1.40	1.20
RL-3316-S-39	39.0 ± 15%	12.0	180	1.20	1.05
RL-3316-S-47	47.0 ± 15%	11.0	190	1.00	1.00
RL-3316-S-56	56.0 ± 15%	10.0	210	0.95	0.90
RL-3316-S-68	68.0 ± 15%	9.0	340	0.90	0.82
RL-3316-S-82	82.0 ± 15%	8.0	380	0.85	0.75
RL-3316-S-100	100.0 ± 10%	7.5	420	0.80	0.68
RL-3316-S-120	120.0 ± 10%	7.0	460	0.70	0.60
RL-3316-S-150	150.0 ± 10%	6.3	520	0.60	0.55
RL-3316-S-180	180.0 ± 10%	5.5	700	0.55	0.50
RL-3316-S-220	220.0 ± 10%	5.0	800	0.50	0.45
RL-3316-S-270	270.0 ± 10%	4.5	1100	0.45	0.40
RL-3316-S-330	330.0 ± 10%	4.0	1200	0.40	0.35
RL-3316-S-390	390.0 ± 10%	3.8	1400	0.39	0.33

1. Tested at 100 kHz, 0.1 Vrms.
2. Inductance drop = 10% typ.
3. ΔT = 40°C rise max.

Operating temperature range -40°C to +85°C.
Storage temperature range -40°C to +105°C.
Resistance to solder heat 260°C, 10 secs.



RENCO ELECTRONICS, INC.

595 International Place, Rockledge, FL 32955-4200 USA

(321) 637-1000 • Toll Free Engineering Hot line 800-645-5828

SINCE 1955 Fax: (321) 637-1600 Web Site: www.rencousa.com E-mail: sales@rencousa.com