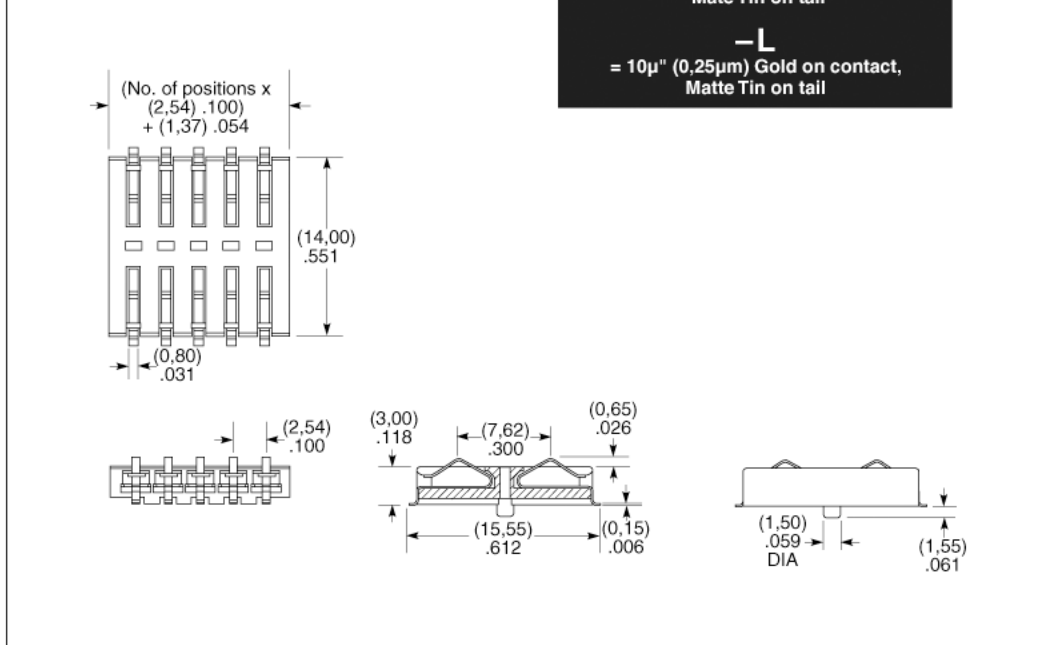
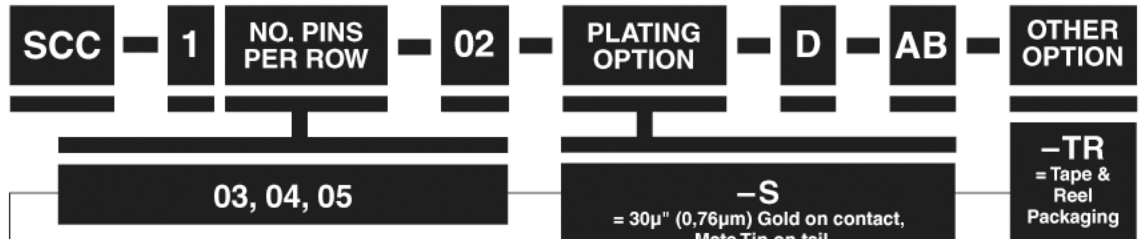
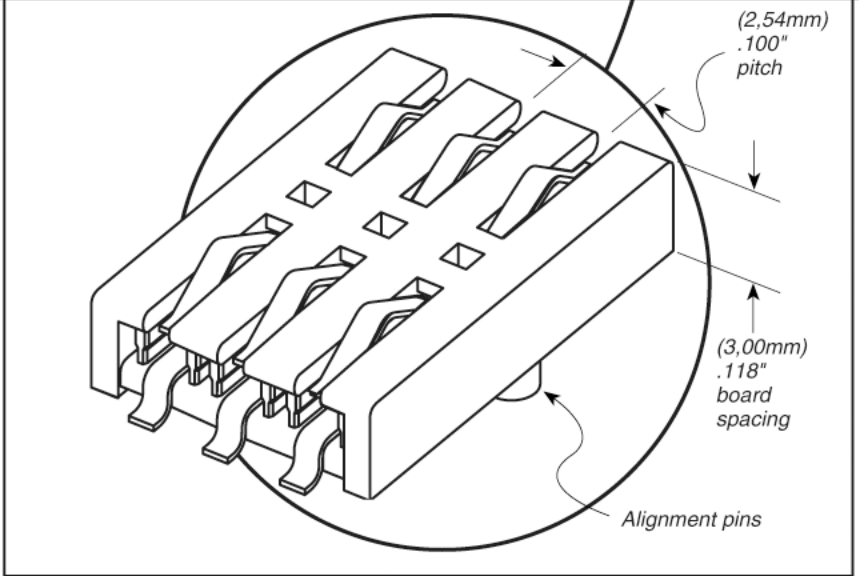


# SMART CARD CONNECTOR **SCC** SERIES

## SPECIFICATIONS

For complete specifications see [www.samtec.com?SCC](http://www.samtec.com?SCC)

- Insulator Material:** Black Liquid Crystal Polymer
- Contact Material:** Phosphor Bronze
- Current Rating:** Testing Now!
- Operating Temp Range:** -55°C to +125°C
- Max Processing Temp:** 230°C for 60 seconds
- Plating:** Au or Sn over 50µ" (1,27µm) Ni
- SMT Lead Coplanarity:** (0,10mm) .004" max
- RoHS Compliant:** Yes



**Note:** Some sizes, styles and options are non-standard, non-returnable.

*Due to technical progress, all designs, specifications and components are subject to change without notice.*

**WWW.SAMTEC.COM**