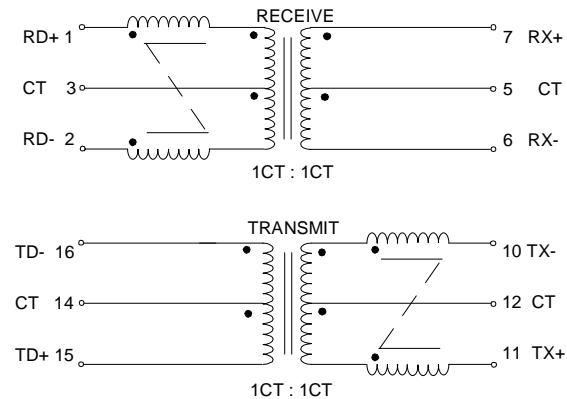


Electrical Specifications at 25°C

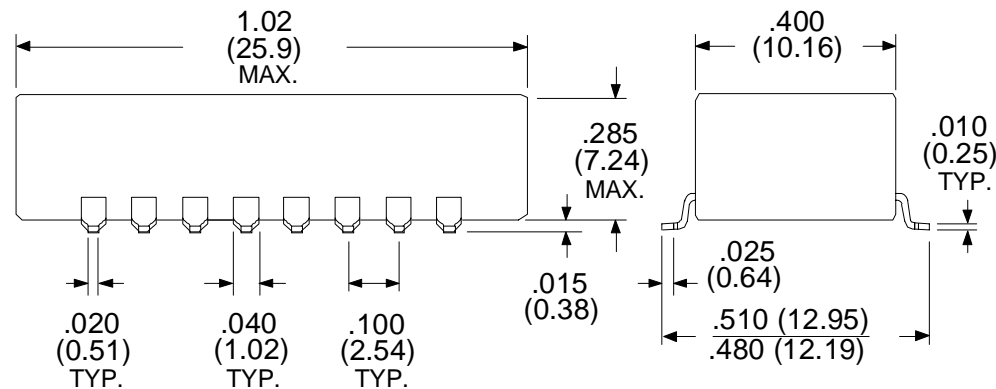
Part Number	Insertion Loss (dB MAX)	Return Loss (dB MIN @ 100Ω)				Crosstalk (dB MIN)			Differential to Common Mode Rejection (dB MIN)			Hipot (Vrms MIN)
		1-30MHz	40MHz	50MHz	60-80MHz	30MHz	60MHz	100MHz	30MHz	60MHz	100MHz	
T-17000	-1.0	-22	-20	-18	-12	-50	-40	-40	-42	-38	-32	1500

- Meets all IEE 802.3 and ANSI X3.263 standards including 350 μH OCL with 8 mA bias
- Mil. Grade Epoxy encapsulated package withstands 235°C IR reflow
- Tape and Reel available.

Schematic Diagram



Dimensions in inches (mm)
(Unused Pin 4 is omitted)



RHOMBUS P/N: **T-17000**

CUST P/N:

NAME: