

PLEASE CHECK WWW.MOLEX.COM FOR LATEST PART INFORMATION

Part Number: [0357030260](#)
Status: **Active**
Description: 4.75mm (.187") Tab Slip-On Terminal, Female, 16-20 AWG, for 0.51mm (.020") Tab Thickness, Lead-free, Post-Tin (Sn) Plating

Documents:

[Drawing \(PDF\)](#) [RoHS Certificate of Compliance \(PDF\)](#)
[Product Specification PS-35703-001 \(PDF\)](#)

General

Product Family	Quick Disconnects
Series	35703
Crimp Quality Equipment	Yes
Product Name	Slip-On
Type	Quick Disconnect

Physical

Barrel Type	Open
Gender	Female
Glow-Wire Compliant	No
Insulation	None
Lock to Mating Part	None
Material - Metal	Brass
Material - Plating Mating	Tin
Material - Plating Termination	Tin
Orientation	Straight
Packaging Type	Reel
Plating min: Mating (µin)	40
Plating min: Mating (µm)	1
Plating min: Termination (µin)	40
Plating min: Termination (µm)	1
Polarized to Mating Part	No
Tab Thickness	0.51mm (.020")
Tab Width	4.75mm (.187")
Wire Insulation Diameter	3.50mm (.138") max.
Wire Size AWG	16, 18, 20
Wire Size mm ²	0.50 - 1.30

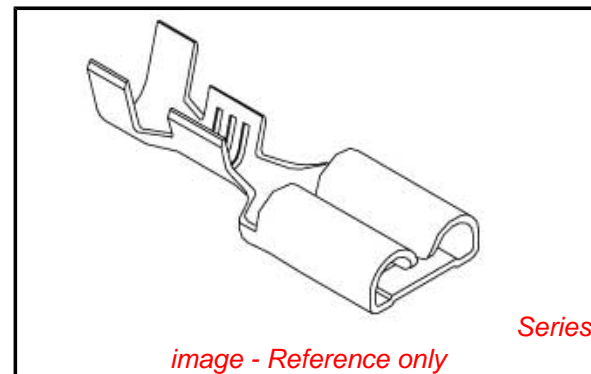
Electrical

Voltage - Maximum	N/A
-------------------	-----

Material Info

Reference - Drawing Numbers

Product Specification	PS-35703-001
Sales Drawing	SD-35718-09*0



EU RoHS

ELV and RoHS Compliant
REACH SVHC
Contains SVHC: No
Halogen-Free Status

China RoHS



Need more information on product environmental compliance?

Email productcompliance@molex.com
 For a multiple part number RoHS Certificate of Compliance, [click here](#)

Please visit the [Contact Us](#) section for any non-product compliance questions.

Search Parts in this Series

[35703Series](#)

Use With

4.75mm (.187") Tab

DO NOT SCALE DRAWING
DIMENSION IN METRIC

DWG. NO.
SD 35718-09*0

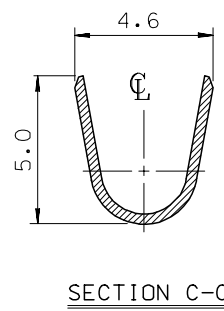
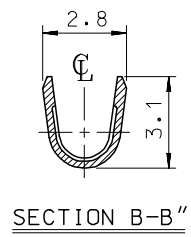
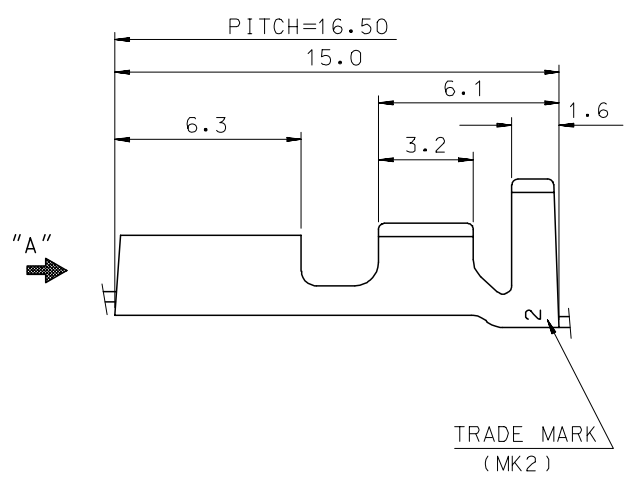
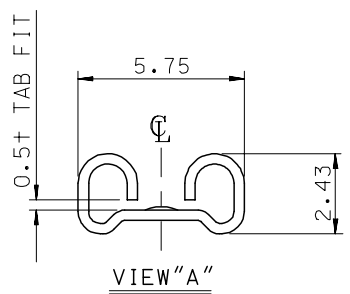
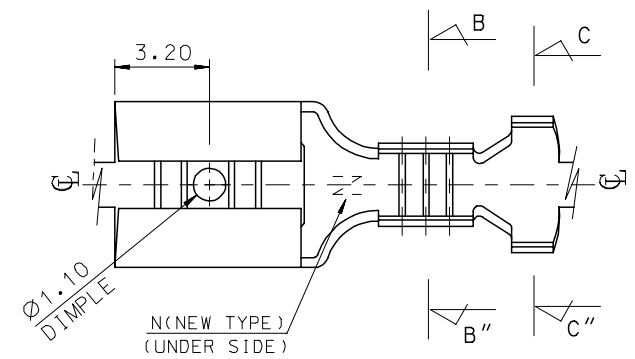
SIMILAR ITEM

PROJECT NO.

C

B

LEAD FREE



NOTES

1. MATERIAL : BRASS
2. FINISH : 35718-0900 : UNPLATED
35718-0910 : POST - TIN PLATED
35703-0260 : TIN PLATED (LEAD FREE)
3. APPLICABLE WIRE RANGE : AWG #20 - #16

REVISED EC NO. K0R2005-0180 DRWN: D.Y.JANG (05/04/12) CHK: Y.SIKKIM (05/04/12) APPR: C.W.LEE (05/04/12)	DESCRIPTION MAJOR = 0 CRITICAL C = 0	QUALITY SYMBOLS		GENERAL TOLERANCES: (UNLESS SPECIFIED)		SCALE 6 : 1	DESIGN UNITS <input checked="" type="checkbox"/> MM <input type="checkbox"/> INCH	THIRD ANGLE PROJECTION		DIMENSIONS: <input type="checkbox"/> MM <input type="checkbox"/> INCH <input type="checkbox"/> MM <input checked="" type="checkbox"/> ONLY		SHT	REV
		4 PLACES	±0.	±.	mm	INCH	DRAWN BY & DATE W.Y.YANG 93.05.24	TITLE: .187 SLIP-ON RECEPTACLE					
D	REV	3 PLACES	±0.	±.		CHECKED BY & DATE B.K.CHOI 93.05.24	MATERIAL NO. SEE NOTES						
		2 PLACES	±0.20	±.		APPROVED BY & DATE C.W.LEE 93.05.24	DRAWING NO. SD-35718-09*0						
		1 PLACE	±0.30	±.		CAD FILENAME S7180900.DGN	MATERIAL NO. SEE NOTES		DRAWING NO. SD-35718-09*0		SHEET NO. 1 OF 1		
		ANGULAR: ± 1 °				DRAFT WHERE APPLICABLE MUST REMAIN WITHIN DIMENSIONS		THIS DRAWING CONTAINS INFORMATION THAT IS PROPRIETARY TO MOLEX INCORPORATED AND SHOULD NOT BE USED WITHOUT WRITTEN PERMISSION.					
												SIZE B	