

Type: TFB-2

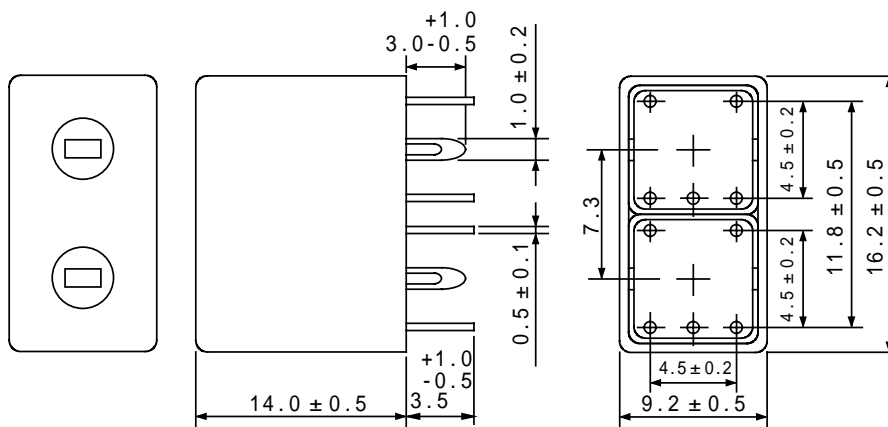
Product Description

- 16.7 × 9.7mm Max.(L × W), 14.5mm Max. Height.
- Operating frequency:10~200kHz.
- In addition to the reference versions of parameters shown here, custom designs are available to meet your exact requirements.

Feature

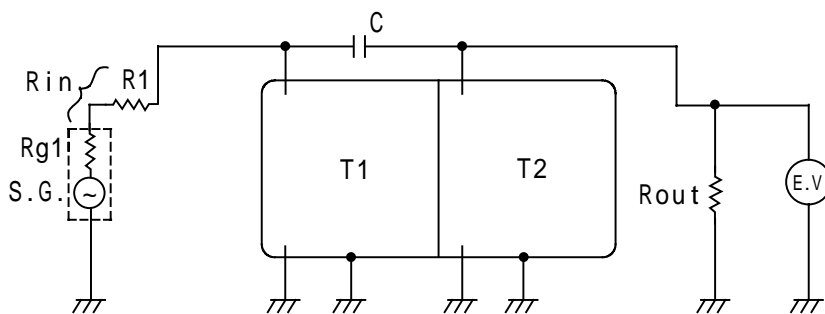
- Variable shielded type with two individual coils combined.
- Two capacitors can be internally mounted in one section.
- Ideally used in VCR, Video Cameras as Audio LC filters(LPF, BPF, Delay Line and Equalizers).
- RoHS Compliance.

Dimensions (mm)



- * Dimension does not include solder used on coil.
- * Pin pitch should be measured at the root of terminal.

Testing circuit



$R_{in} = R_{g1} + R_1 = 10k$
 $R_{out} = 10k$
 $C = 51pF \pm 5\%$

Type: TFB-2
Specification (Part No: 0570-T006)

Item		Specification
Input impedance	(R in)	10kΩ
Output impedance	(Rout)	10kΩ
Center frequency	F0	201kHz
Band width	(-3dB)	10kHz(TYP.)
Attenuation	182.8kHz	15dB Min.
	221kHz	15dB Min.
Insertion loss	201kHz	3.4dB(TYP.)

Frequency Response (Attenuation 0dB at 201KHz)
