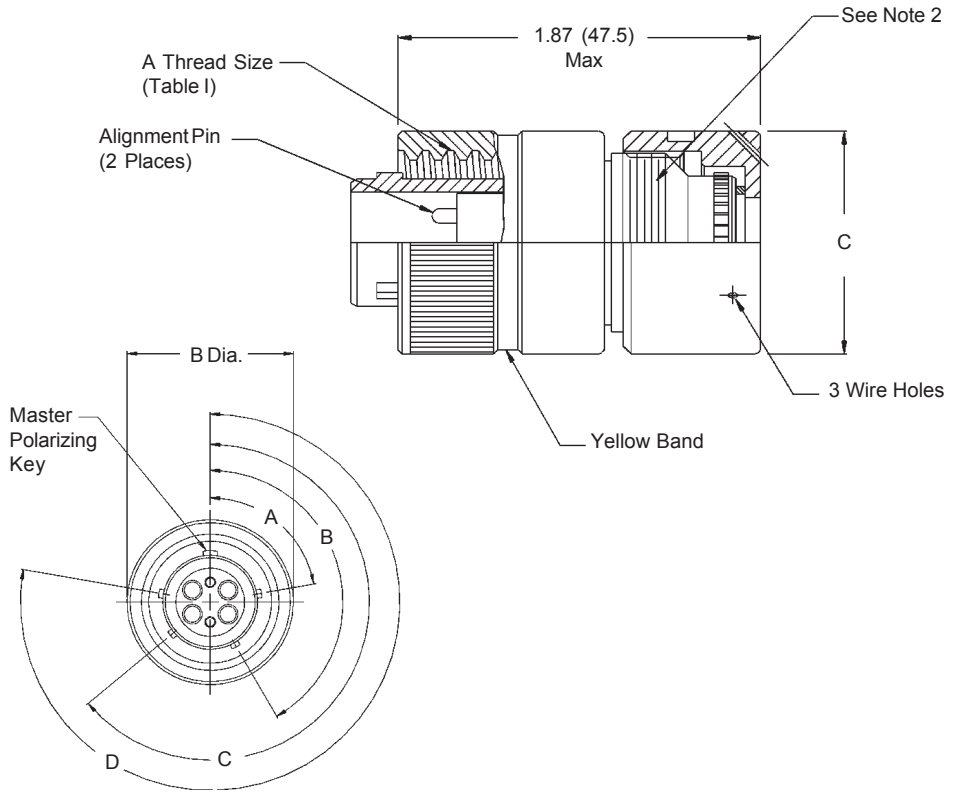
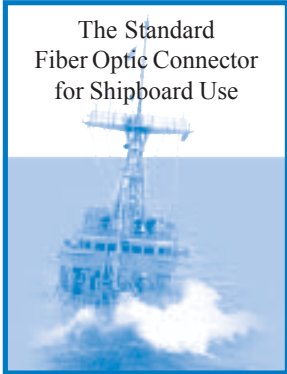
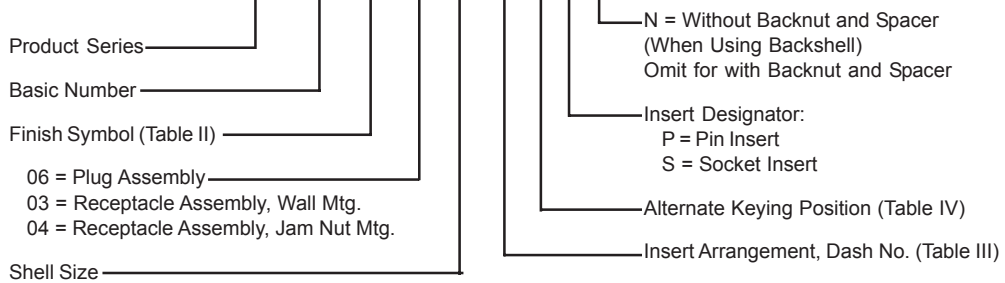




**MIL-C-28876 Style Fiber Optic Connector**  
**For use with MIL-T-29504/14 and /15 Termini**  
**06 Plug**



**180-040 NF 06-13-04-1 P N**



**MIL-C-28876 Style Fiber Optic Connector**  
**For use with MIL-T-29504/14 and /15 Termini**  
**06 Plug**



**TABLE I: SHELL SIZE**

| Shell Size | "A" Thread<br>.IP-.2L-DS | B Dia<br>Max | C Dia<br>Max |
|------------|--------------------------|--------------|--------------|
| 11         | .750                     | 1.028 (26.1) | .960 (24.4)  |
| 13         | .875                     | 1.141 (29.0) | 1.085 (27.6) |
| 15         | 1.062                    | 1.263 (32.1) | 1.255 (31.9) |

**TABLE II: FINISH**

| Symbol | Finish Description   |
|--------|--|
| M      | Electroless Nickel   |
| NF     | Cadmium/Olive Drab over<br>Electroless Nickel<br>(500 Hour Salt Spray) |

**TABLE III: INSERT ARRANGEMENT**

| Shell Size | Insert<br>Arrangement<br>Dash No. | Number of<br>Terminus<br>Cavities |
|------------|-----------------------------------|-----------------------------------|
| 11         | 02                                | 2                                 |
| 13         | 04                                | 4                                 |
| 15         | 06 or 08                          | 6 or 8                            |

**TABLE IV: KEYING POSITION**

| Shell Size      | Keying Position | A°  | B°  | C°  | D°  |
|-----------------|-----------------|-----|-----|-----|-----|
| 11<br>and<br>13 | 1               | 95  | 141 | 208 | 236 |
|                 | 2               | 113 | 156 | 182 | 292 |
|                 | 3               | 90  | 145 | 195 | 252 |
|                 | 4               | 53  | 156 | 220 | 255 |
|                 | 5               | 119 | 146 | 176 | 298 |
|                 | 6               | 51  | 141 | 184 | 242 |
| 15              | 1               | 80  | 142 | 196 | 293 |
|                 | 2               | 135 | 170 | 200 | 310 |
|                 | 3               | 49  | 169 | 200 | 244 |
|                 | 4               | 66  | 140 | 200 | 257 |
|                 | 5               | 62  | 145 | 180 | 280 |
|                 | 6               | 79  | 153 | 197 | 272 |

**NOTES:**

1. Metric dimensions (mm) are in parentheses and are for reference only.
2. Backnut retained with thread locking compound.