

3M

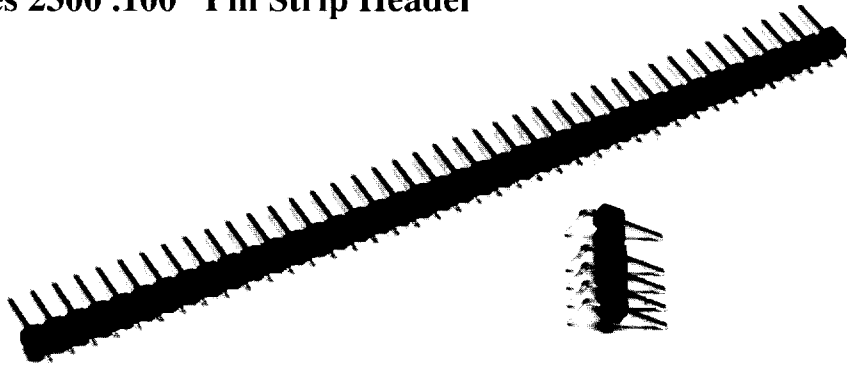
Series 2300

Pin Strip
Headers



1 888 888 8888
3M COS 001

Series 2300 .100" Pin Strip Header

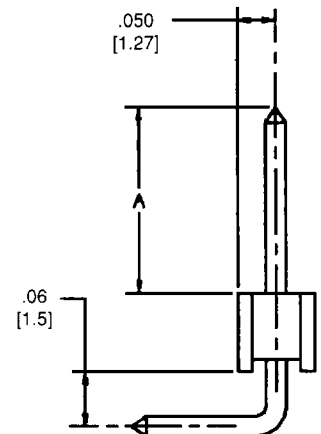
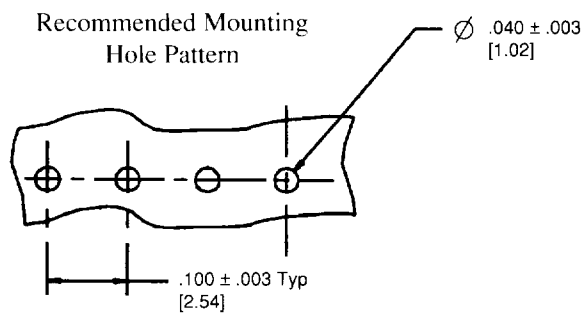
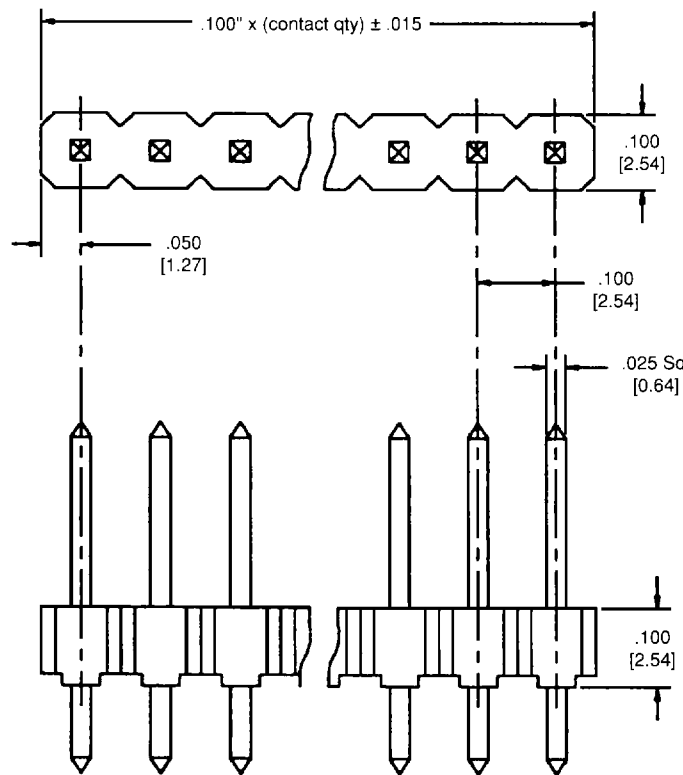


Re-engineered for value and quality

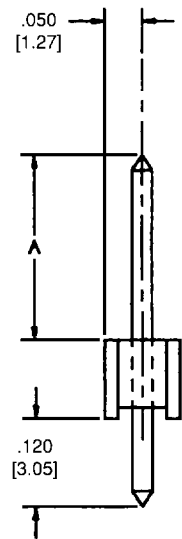
3M has re-engineered its popular 2400 Series Pin Strips to deliver greater economy and value. The new 2300 Series Pin Strips are designed to lower your costs without sacrificing quality and reliability. We've made the 2300 Series less costly to buy, inventory and integrate into your printed circuit boards.

What's new about the 2300 Series?

- 10 μ" gold and gold flash plating on Phosphor Bronze pins
- Glass filled polyester (PBT) insulation material
- Breaks to length so you can stock it in long lengths for lower inventory costs and faster delivery.



Right Angle Solder Tail



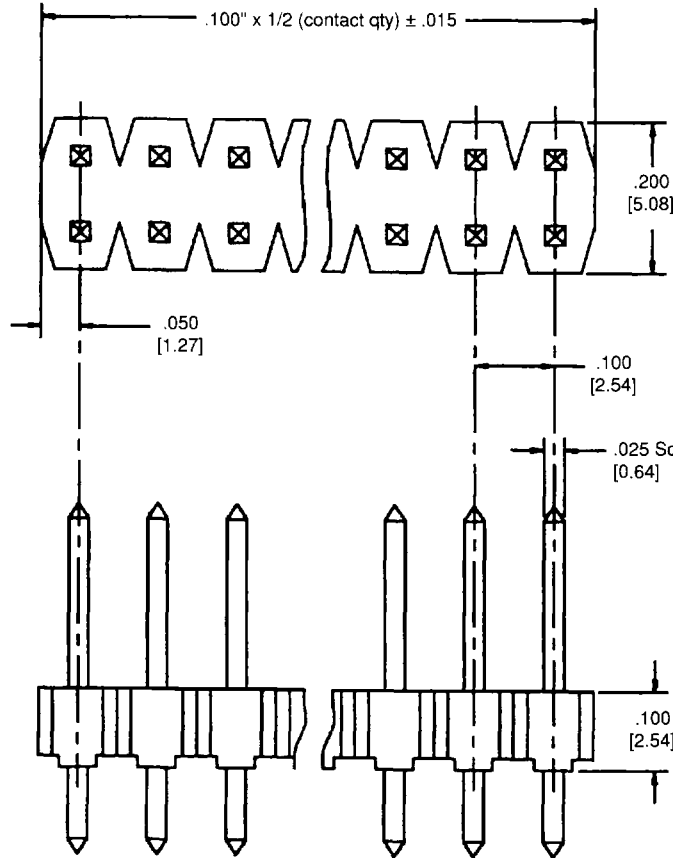
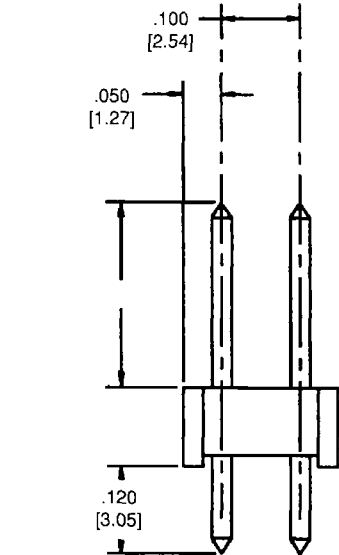
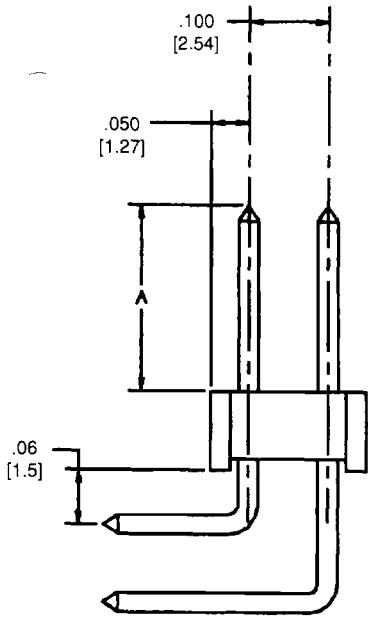
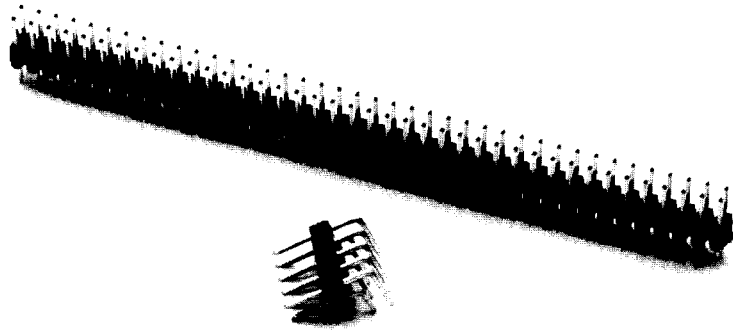
Straight Solder Tail

Inch

Tolerance Unless Noted			
	.0	.00	.000
Inch	±.1	±.01	±.005

[] Dimensions for Reference Only

Series 2300 .100" x .100" Pin Strip Header



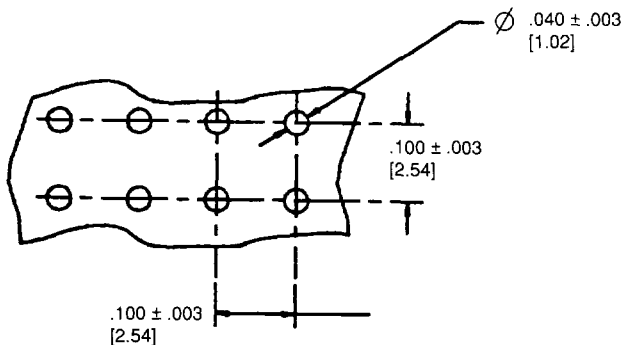
What features have not changed in the 2300 Series?

The 2300 Series retains many of the features of the popular 2400 Series including:

- single-row and dual-row versions of both straight and right angle configurations
- solder standoffs make it easy to wash flux residue, eliminating costly rework
- side-by-side and end-to-end stackable.

3M is continually working to make you more competitive.

The 2300 Series Pin Strip is an example of 3M's efforts to make you more competitive. You can count on 3M to deliver the most value and reliability.



Recommended Mounting Hole Pattern

2300 Series Specifications

Physical

Insulation material:	Glass filled polyester (PBT)		
Flammability rating:	UL 94V-0		
Color:	Black		
Contact material:	Phosphor Bronze		
Contact plating:	Underplate:	Nickel QQ-N-290, Class 2	
	On wiping area:	Gold—MIL-G-45204, Type II, Grade C	
	On solder tails:	100 μ " 90/10 Tin Lead MIL-P-81728	

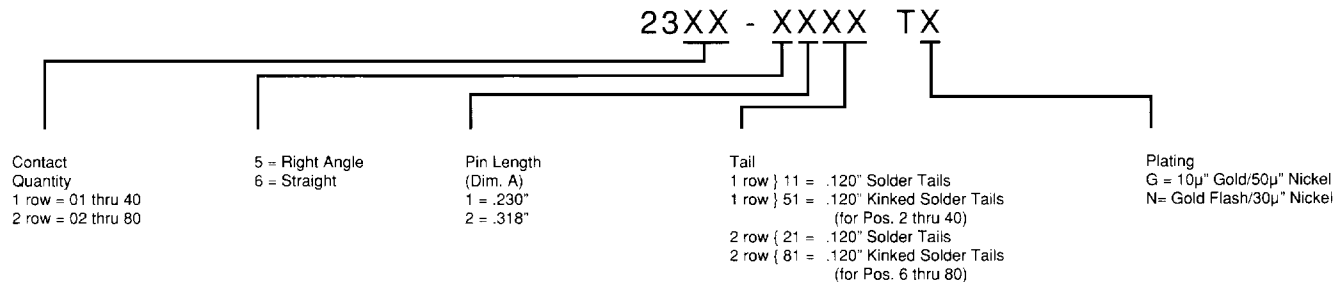
Electrical

Current rating:	1 A
Insulation resistance:	> 1 x 10 ⁹ Ω at 500 Vdc
Withstanding voltage:	1000 Vac at sea level

Environmental

Temperature rating:	-55°C to +105°C
UL File No.:	E68080

Ordering Information



Important Notice:

All statements, technical information and recommendations related to the Seller's products are based on information believed to be reliable, but the accuracy or completeness thereof is not guaranteed. Before utilizing the product, the user should determine the suitability of the product for its intended use. The user assumes all risks and liability whatsoever in connection with such use.

Any statements or recommendations of the Seller which are not contained in the Seller's current publications shall have no force or effect unless contained in an agreement signed an authorized officer of the Seller.

The statements contained herein are made in lieu of all warranties, expressed or implied, including but not limited to the implied warranties of merchantability and fitness for a particular purpose which warranties are hereby expressly disclaimed.

SELLER SHALL NOT BE LIABLE TO THE USER OR ANY OTHER PERSON UNDER ANY LEGAL THEORY, INCLUDING BUY NOT LIMITED TO NEGLIGENCE OR STRICT LIABILITY, FOR ANY INJURY OR FOR ANY DIRECT OR CONSEQUENTIAL DAMAGES SUSTAINED OR INCURRED BY REASON OF THE USE OF ANY OF THE SELLER'S PRODUCTS THAT WERE DEFECTIVE.



Electronic Products Division

6801 River Place Blvd.
Austin, Texas 78726-9000



Recycled Paper
50% preconsumer waste
10% Post-consumer waste

Printed in U.S.A.

© 3M 1994 80-6106-0837-6(04415)W