

SPECIFICATIONS

Electrical

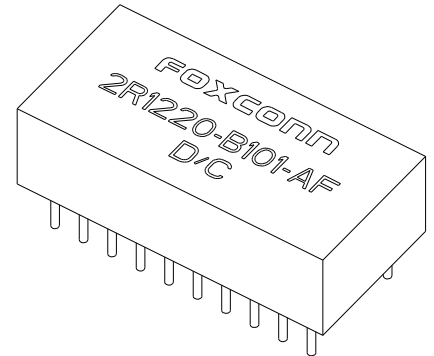
Current Rating: 1.5A max.
Dielectric Withstanding Voltage: 1500VAC

Physical

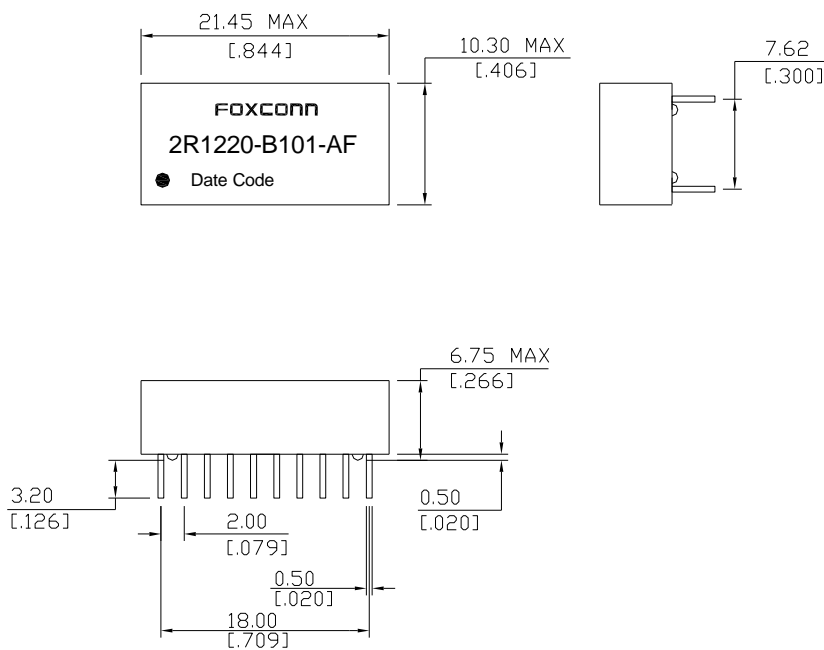
Housing: UL 94V-0, Black LCP,30% Glass
Contact: Phosphor bronze
Operating Temperature: 0 to +70

Lan Transformer

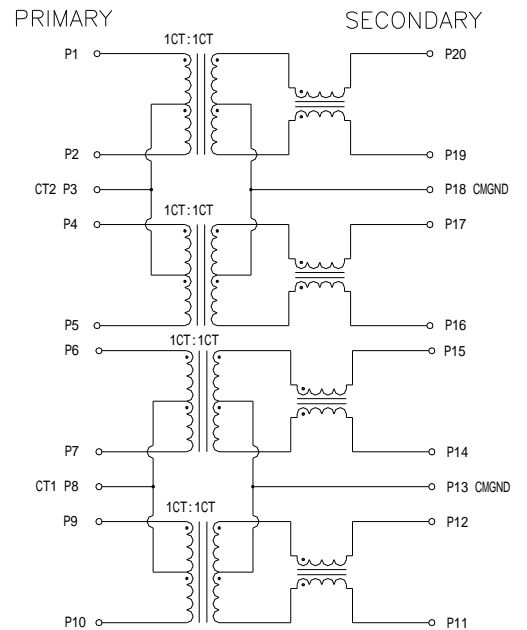
Lan Transformer Series
10/100 BASE-T
FOR 2 PORTS RJ45
20 PINS



DRAWING



SCHEMATIC:



ORDERING INFORMATION

