

MICRO SWITCH

FREEPORT, ILLINOIS, U.S.A.
A DIVISION OF HONEYWELL
FED. MFG. CODE 91929

SWITCH-TOGGLE

CATALOG LISTING
2TL130 SERIES

CHART 1

THIS DRAWING COVERS A PROPRIETARY ITEM AND IS THE PROPERTY OF MICRO SWITCH. A DIVISION OF HONEYWELL. THIS DRAWING IS NOT TO BE COPIED OR USED WITHOUT THE APPROVAL OF MICRO SWITCH.

2TL130 SERIES

RELEASE NO. CO-78497

ISSUE **M** 9

CHECK

REVISIONS
A 78047
24 78 94
B 95307
18 NOV 99
C 200061
J J A
22 FEB 00
D 204128
KED
10 OCT 01
E 204201
18 OCT 01
F 205815
G J W
3 JUN 02
G 206396
H 0003048
CMH
09 FEB 04

CHECK

MDM 09 FEB 04
KAG 7 JUL 94

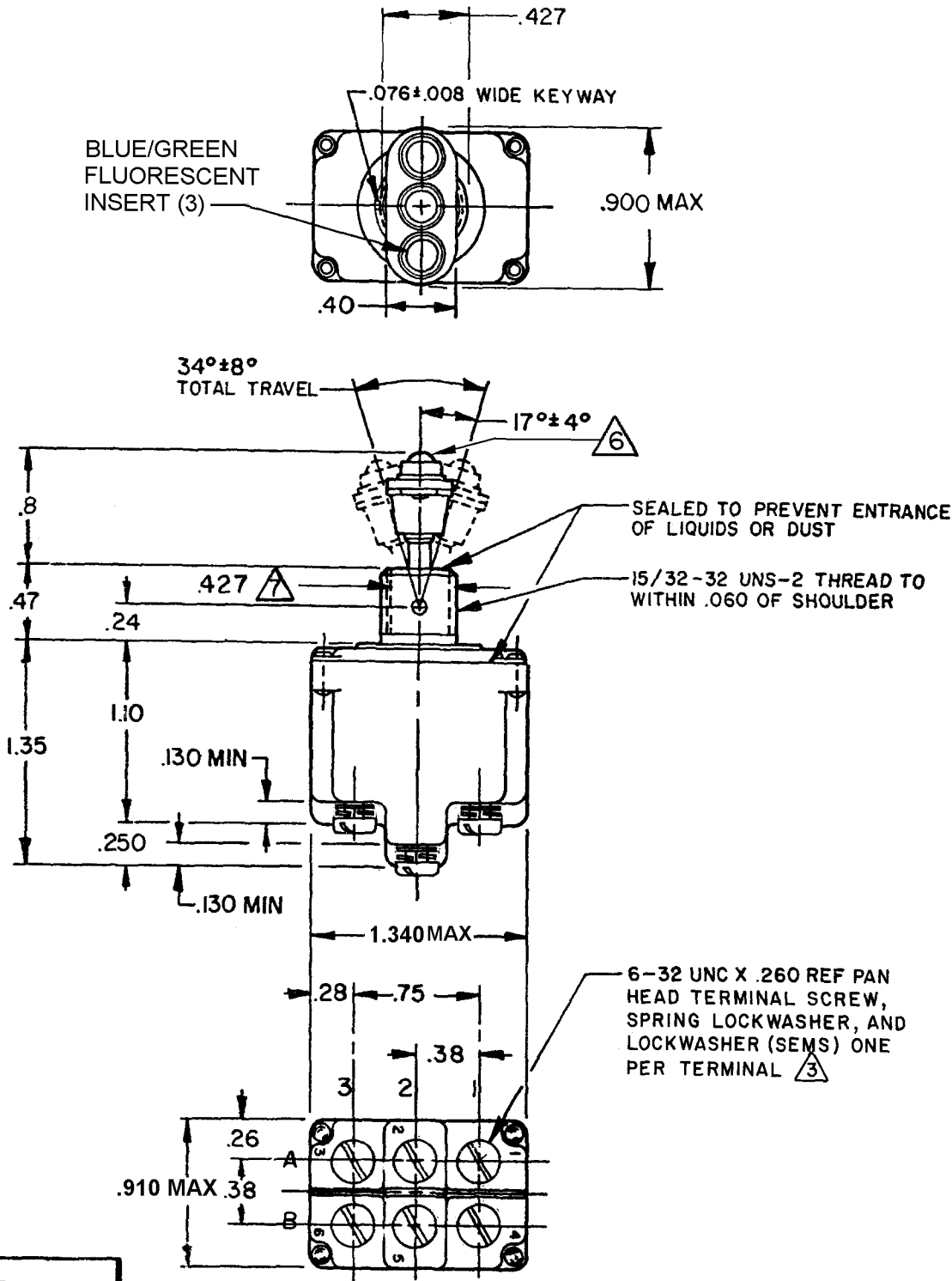
CHECK

TSM 9 JUN 94

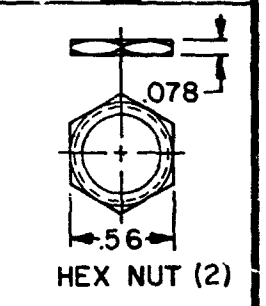
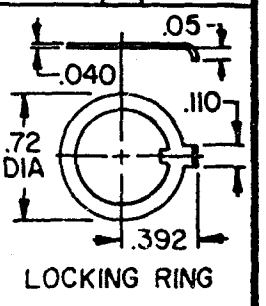
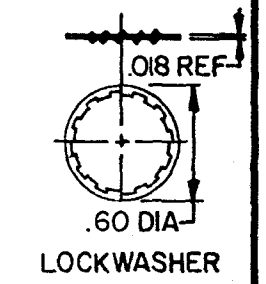
CATALOG LISTING
M 2TL130 SERIES CHART 1
PAGE 1 OF 1

RASTER

SCALE FULL
DO NOT SCALE PRINT
UNLESS OTHERWISE NOTED
DIMENSIONS ARE IN INCHES
TOLERANCES ARE:
ONE PLACE (.0)
TWO PLACE (.00)
THREE PLACE (.000)
ANGLES
WEIGHT .12 LBS MAX



CATALOG LISTING	CIRCUIT MADE WITH TOGGLE LEVER IN			MILITARY RATING (AMPS)								
	KEYWAY SIDE (1-2,4-5)	CENTER (1-2,4-5)	OPPOSITE KEYWAY (2-3,5-6)	RESISTIVE LOAD				LAMP LOAD		INDUCTIVE LOAD		
				DC VOLTS	AC VOLTS	28 VDC	125 VAC	28 VDC	125 VAC			
ⓑ	ON	OFF	ON									
ⓑ	OFF	NONE	ON									
2TL130-3	ON	NONE	ON	20	.75	.5	15	6	7	4	15	15
2TL130-21	NONE	OFF	ON									
2TL130-31	NONE	ON	ON									
2TL130-4	MOM OFF	NONE	ON									
2TL130-5	MOM ON	OFF	ON									
2TL130-6	MOM ON	NONE	OFF									
2TL130-7	MOM ON	OFF	MOM ON									
2TL130-8	MOM ON	NONE	ON	18	.75	.5	11	6	5	2	10	8
2TL130-51	NONE	ON	MOM ON									
2TL130-61	MOM ON	OFF	NONE									



NOTES

- 1 - SWITCHES ARE CAPABLE OF WITHSTANDING A TEMPERATURE OF 160°F CONTINUOUSLY AT FULL RATED LOAD
- 2 - CIRCUIT DESIGNATION AND MICRO SWITCH CATALOG LISTING MARKED ON SIDE OF SWITCH
- ⓐ FURNISHED UNASSEMBLED
- 4 - FOR TERMINAL COVER SEE MICRO SWITCH CATALOG LISTING 5PA8
- ⓑ APPLIES ONLY TO "ON" AND "MOMENTARY ON" POSITIONS
- ⓓ ULTRAVIOLET LIGHT SENSITIVE BLUE/GREEN FLUORESCENT CAP IS ATTACHED TO LEVER BY A LOCKING TYPE INTERNAL THREAD. LEVER CAP FURNISHED UNASSEMBLED FROM BOTTOM OF KEYWAY TO MAJOR DIA OF 15/32 THREAD
- ⓓ