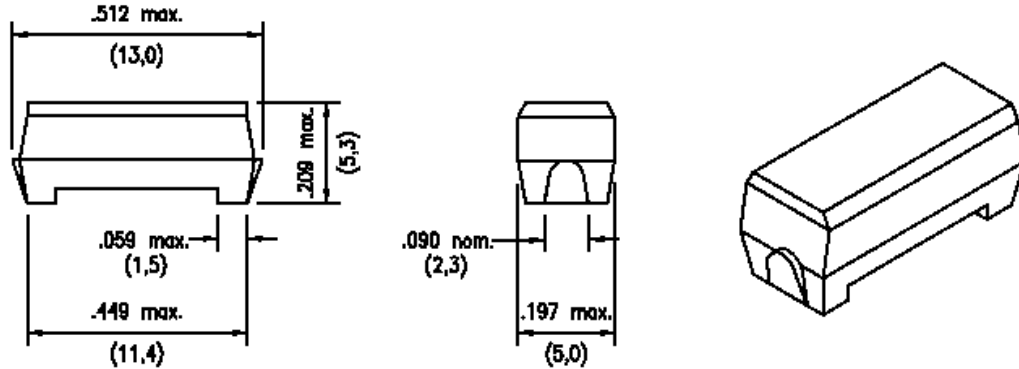


555-5120 RFID transponder coil, moulded, surface mount, 0.29mH thru 23.80mH



How to order code 555-5120-XX-XY-ZZ

Basic Part No XX-X = Inductance identifier, Y = tolerance, ZZ = packaging

Basic Part Number (XX-X)	Inductance (mH)	Q (min)	Test Frequency (KHz)	SRF (min) (KHz)	DCR @ 20°C (max) (W)
29-1	*	0.29	20	125.0	8.5
34-1	*	0.34	20	125.0	9.3
41-1	*	0.41	20	125.0	10.3
49-1	*	0.49	20	125.0	11.4
60-1	*	0.60	20	125.0	13.0
73-1		0.73	20	125.0	15.0
90-1	*	0.90	20	125.0	17.0
11-2	*	1.08	20	125.0	21.0
14-2		1.38	20	125.0	23.0
16-2	*	1.62	20	125.0	25.7
19-2	*	1.97	20	125.0	29.2
24-2		2.38	22	125.0	41.0
29-2		2.89	25	125.0	44.6
34-2	*	3.44	25	125.0	69.8
42-2	*	4.15	25	125.0	76.2
49-2		4.91	25	125.0	87.2
60-2	*	6.00	25	125.0	99.0
72-2	*	7.20	25	125.0	130.0
74-2		7.36	25	125.0	141.0
90-2	*	9.00	22	125.0	310.0
11-3	*	10.80	20	125.0	340.0
14-3	*	13.50	20	125.0	360.0
16-3	*	16.20	20	125.0	375.0
20-3	*	19.80	20	125.0	462.0
24-3		23.80	20	125.0	510.0

Other electrical specifications to order - Consult factory

- All asterisked lines feature in the engineers development kit (10 off each part), part number 555-5120-00-00-00

TOLERANCE (Y)		
Tolerance Code (Y)	Inductance Tolerance	Notes
G	± 2%	Made to order
J	± 5%	Standard
K	± 10%	Made to order

PACKAGING (ZZ)	
-00	Loose Piece
-36	Taped and Reeled

Temperature range -55°C to 100°C