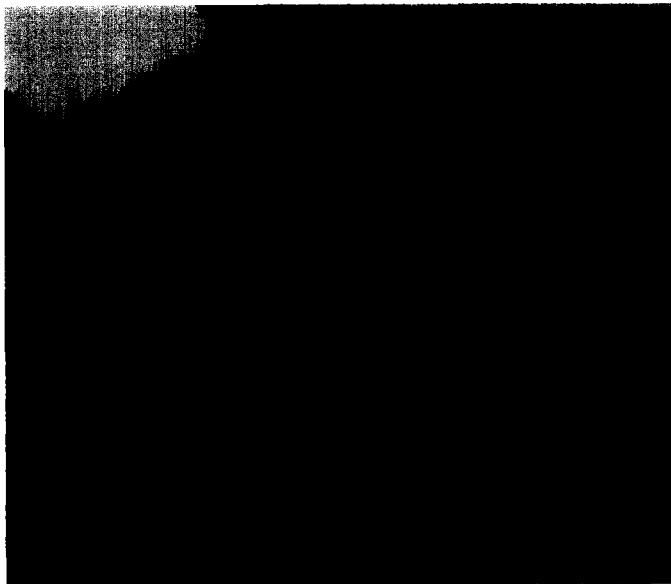


68 Position PC Card Receptacles



Methode's 68 position receptacles are PCMCIA and JEIDA compatible and are available in straddle mount and single sided surface mount configurations. The independent dual beam contact design insures extended reliability, redundant electrical contact and consistent mechanical performance.

- Meets PC Card standards
- Durable contact design withstands repeated card insertions in excess of 10,000 cycles
- Flexible contact tail forming tool offers alternatives for custom applications
- Unique mold design offers flexibility to customize mounting configurations
- Materials are compatible with high temperature soldering processes

Specifications

Materials

- Contact Material:** Copper alloy
- Contact Plating:** Gold flash over 40 micro inch minimum PdNi in contact area over low stress nickel over all. 100 micro inch minimum 60/40 Sn/Pb in tail area.
- Insulator Material:** LCP 94V-0 rated high temperature thermoplastic
- Operating Temperature:** -55°C to +85°C

Mechanical Performance

- Durability:** 10,000 cycles
- Insertion Force:** 6.0 lbs (2.7 Kg) max.
- Withdrawal Force:** 10 grams min. per contact

Electrical Performance

- Current Rating:** 0.5 A DC
- Contact Resistance:** 40 milliohms (initial)
 Δ resistance \leq 20 milliohms (final)
- Dielectric Strength:** 500 V AC for 1 minute

SERIES 952, 953, AND 957 RECEPTACLE P/N

95X - XX - 68SMXX - 90

TAIL STYLE

- 01 = STRADDLE, CENTER PCB
- 05 = SINGLE SIDED, INLINE
- 08 = SINGLE SIDED, STAGGERED
- 10 = STRADDLE, OFFSET PCB
- 11 = STRADDLE, OFFSET PCB
- 14 = SINGLE SIDED, STAGGERED
- 17 = STRADDLE, OFFSET PCB
- 16 = STRADDLE, CENTER PCB
- 18 = SINGLE SIDED, STAGGERED
- 19 = SINGLE SIDED, INLINE
- 21 = SINGLE SIDED, STAGGERED

MOUNTING EAR STYLE

- 01 = STYLE 1
- 02 = STYLE 2 SEE PAGE 13
- 03 = STYLE 3
- 08 = STYLE 8

SERIES

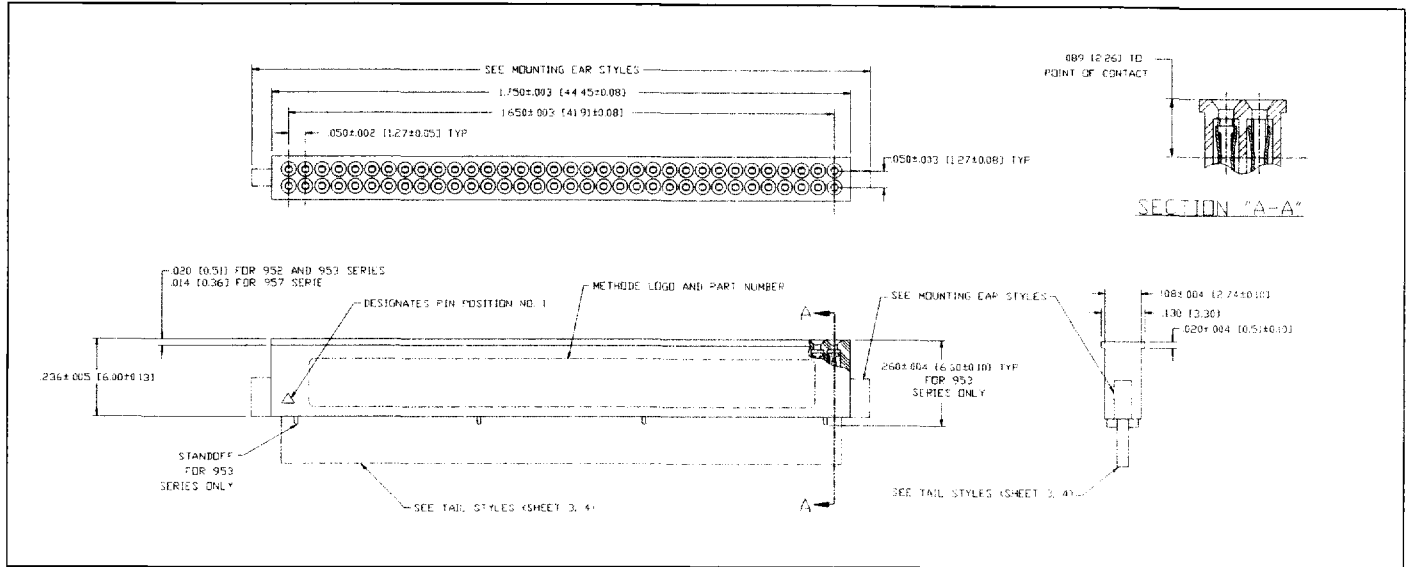
- 2 = .236" HIGH W/O STANDOFF
- 3 = .260" HIGH WITH STANDOFF
- 7 = .236" HIGH W/O STANDOFF,
WITH NARROW LIP

Note: Consult factory for other tail styles and other ear configurations

68 Position Series 952, 953 & 957 PC Card Receptacle Body and Mounting

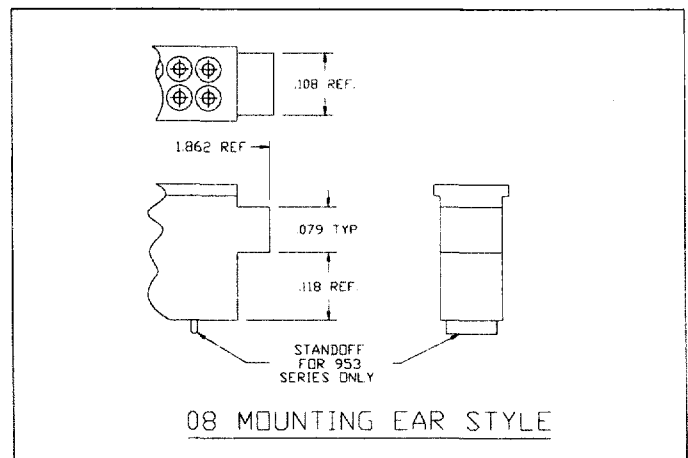
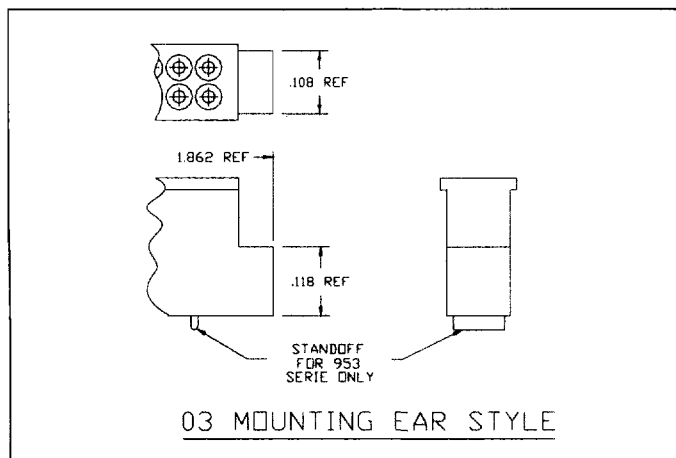
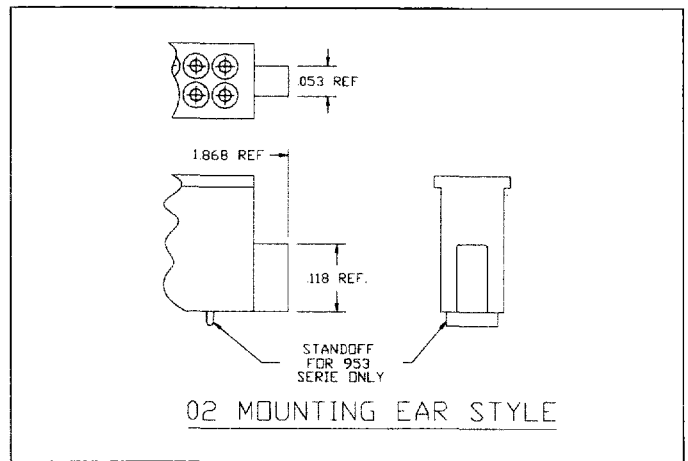
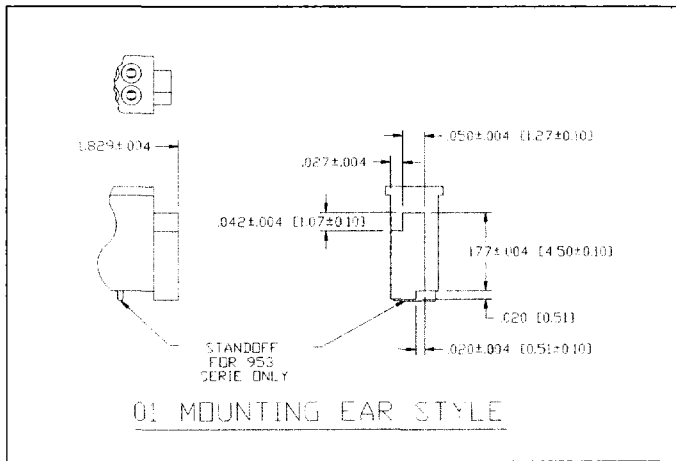


Receptacle Body



Mounting Ear Styles

ALL DIMENSIONS ARE IN INCHES
DIMENSIONS IN () ARE IN MILLIMETERS



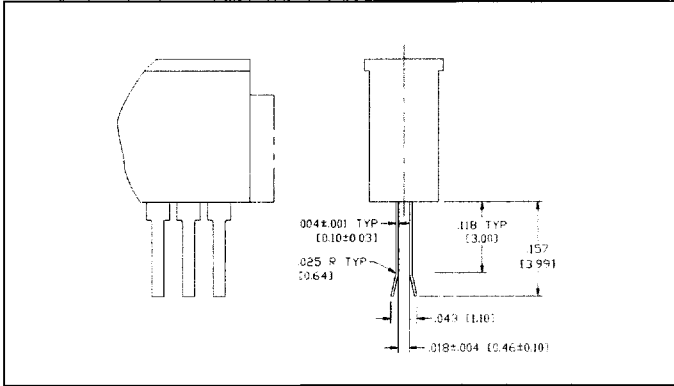
68 Position PC Card Receptacle Tail Styles/PC Board Layouts



Straddle Mount

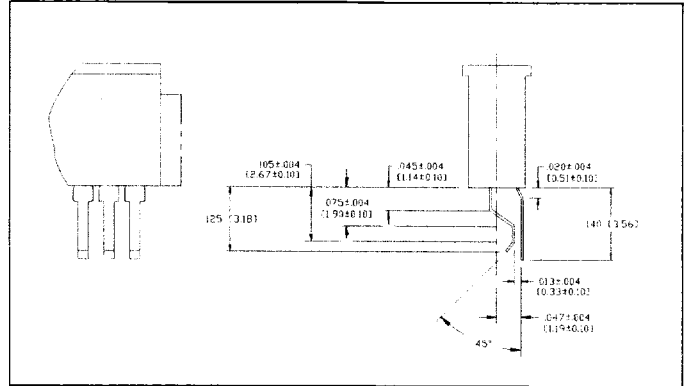
Tail Style 01

Center PCB placement



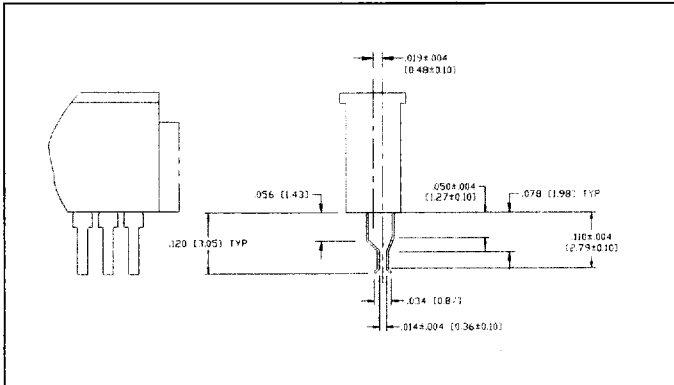
Tail Style 10

Offset PCB placement



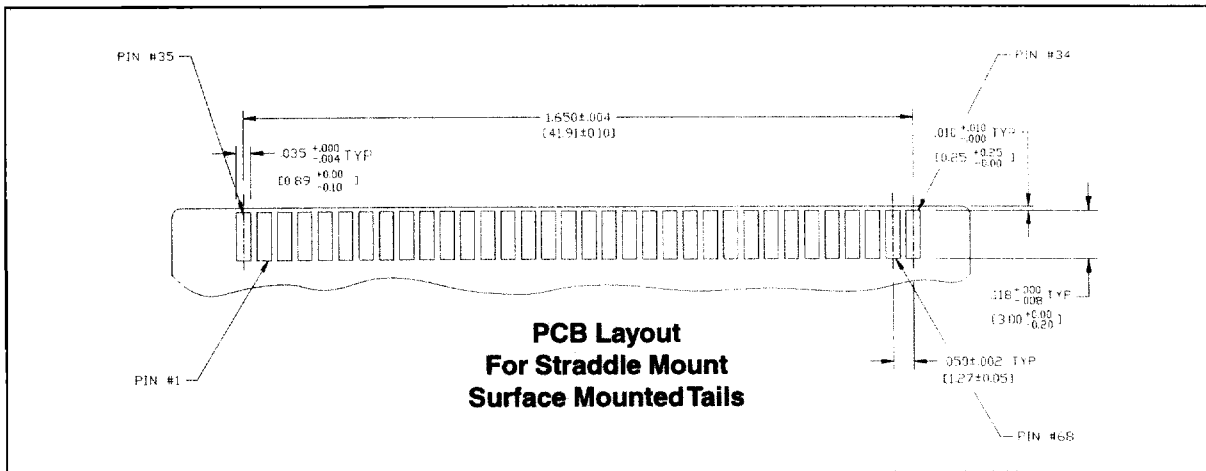
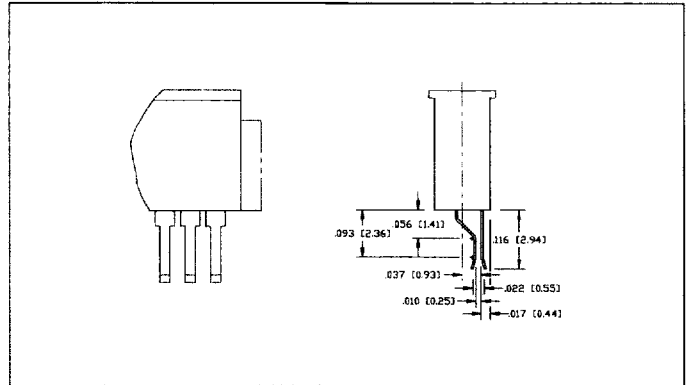
Tail Style 11

Offset PCB placement



Tail Style 17

Offset PCB placement



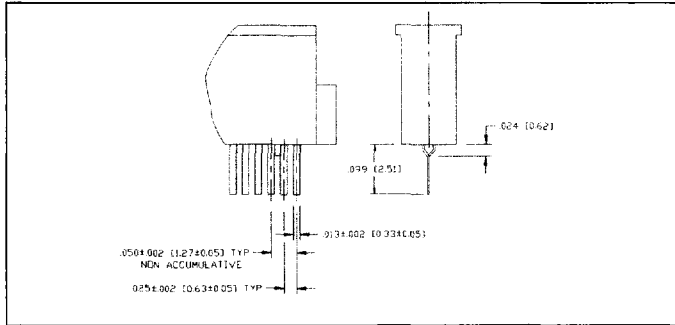
ALL DIMENSIONS ARE IN INCHES
DIMENSIONS IN () ARE IN MILLIMETERS

68 Position PC Card Receptacle Tail Styles/PC Board Layouts

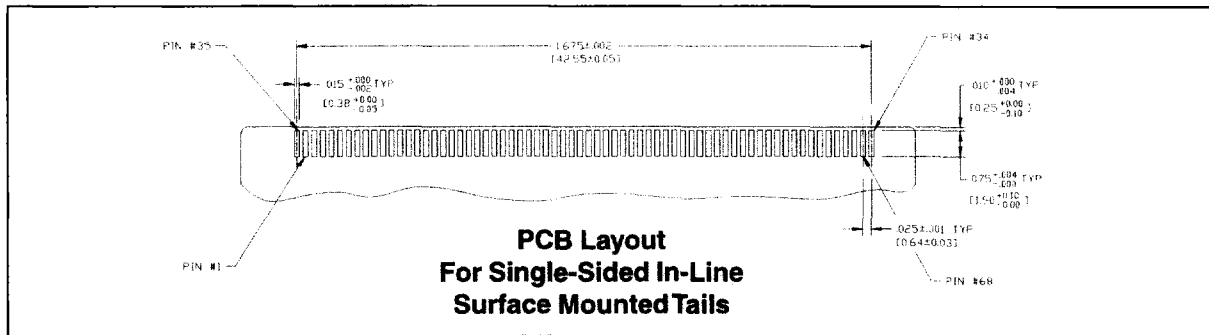
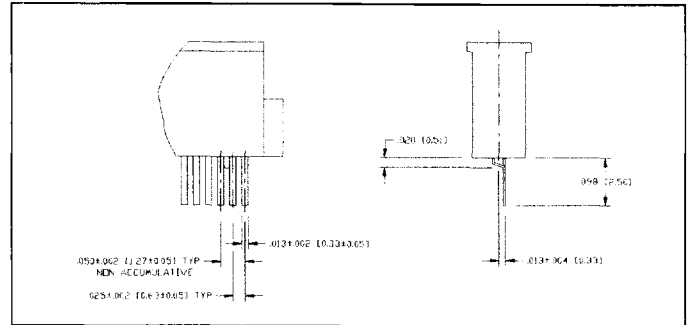


Single Sided Mount

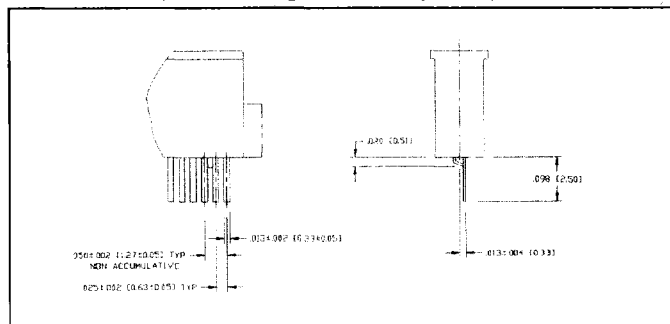
Tail Style 05 Inline leads



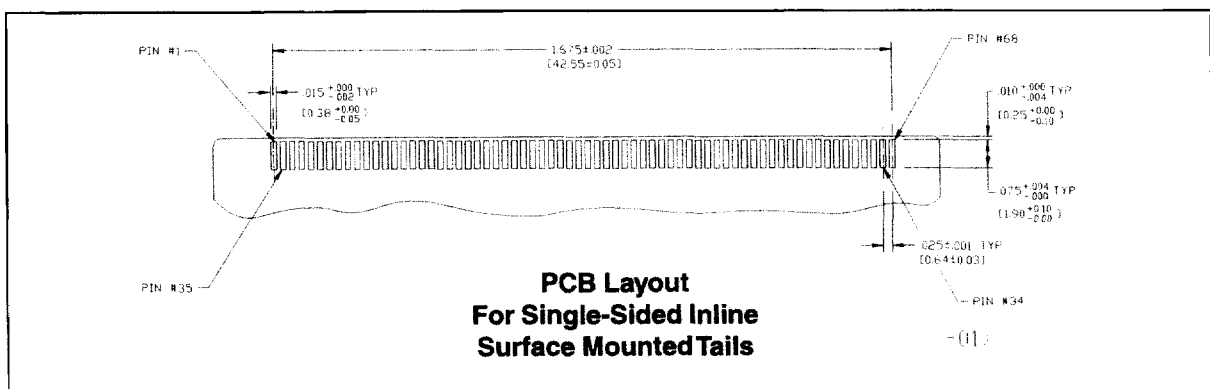
Tail Style 15 Inline leads



Tail Style 19 Inline leads, (mirror image of Tail Style 15)



ALL DIMENSIONS ARE IN INCHES
DIMENSIONS IN () ARE IN MILLIMETERS

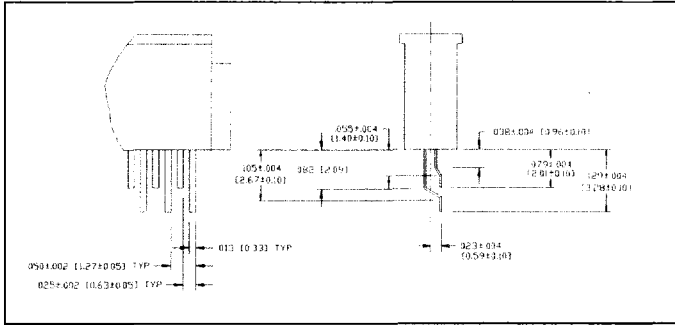


68 Position PC Card Receptacle Tail Styles/PC Board Layouts

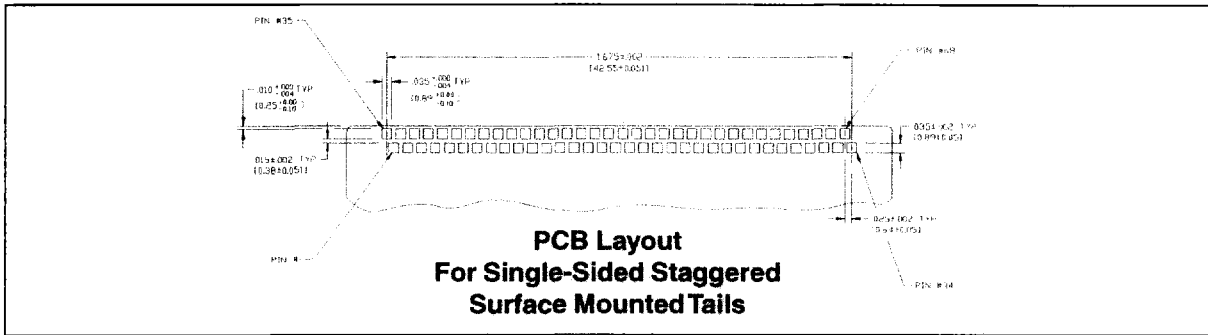
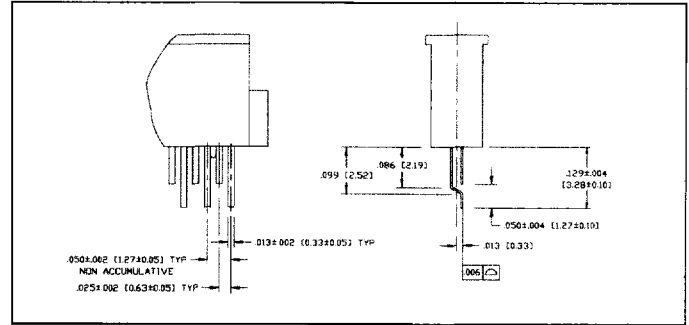


Single Sided Mount

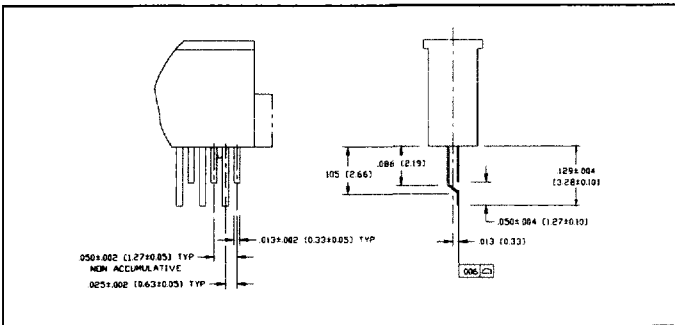
Tail Style 08
Staggered leads



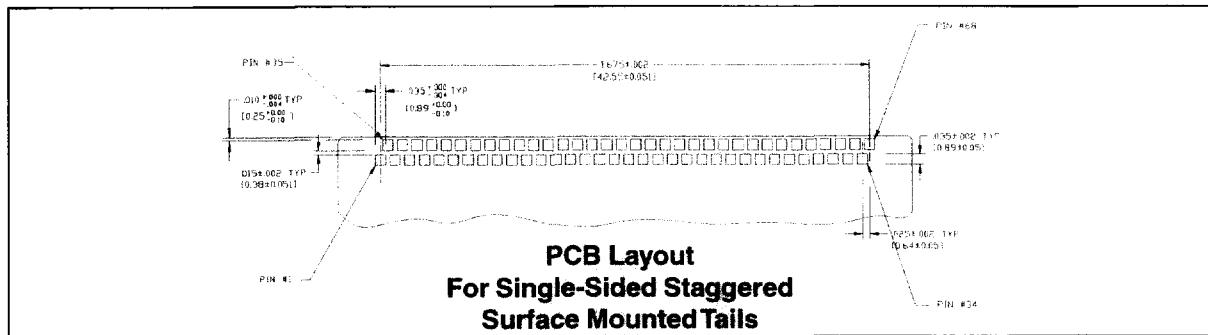
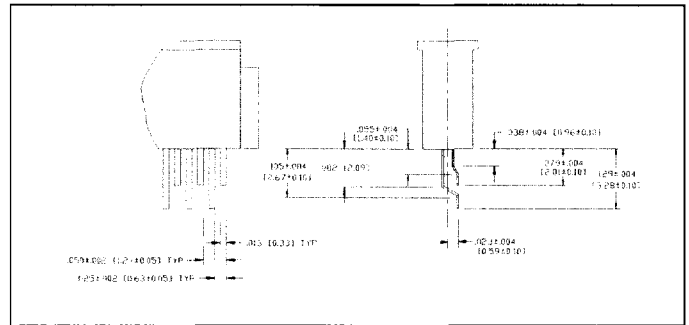
Tail Style 14
Staggered leads



Tail Style 18
Staggered leads, (mirror image of Tail Style 14)



Tail Style 21
Staggered leads, (mirror image of Tail Style 08)



ALL DIMENSIONS ARE IN INCHES
DIMENSIONS IN () ARE IN MILLIMETERS