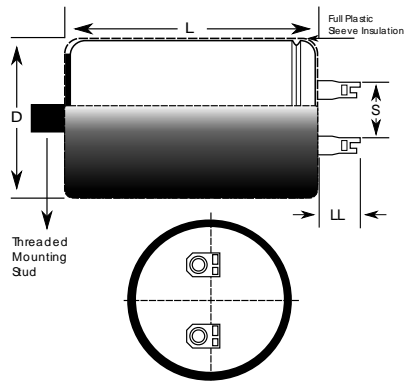


**KEMET Part Number: ALT20A102AA063**  
(A661CE102Q063A)

Capacitor, aluminum, 1000 uF, -10/+30% Tol, -40/+85C, 63V@85C



Dimensions (mm)		
Symbol	Dimension	Tolerance
D	25	+/-1
L	35	+/-2
S	10	+/-0.1
LL	10	+/-0.5

Notes:

-Dimensions D and L include sleeving

**General Information**

<b>Supplier:</b>	KEMET
<b>Part Type Description:</b>	Solder Tag Aluminum Electrolytic
<b>Style:</b>	Snap-in
<b>Lead Type:</b>	2 Flying leads (solder tags)

**Specifications**

<b>Capacitance:</b>	1000 uF
<b>Tolerance:</b>	-10/+30%
<b>Rated Temperature:</b>	85C
<b>Voltage @ rated temp:</b>	63V
<b>VDC Surge:</b>	72.45WVDC
<b>Life @ rated temp:</b>	12000 h
<b>RoHS:</b>	Yes
<b>Low Z/ESR:</b>	Yes
<b>Temperature Range:</b>	-40/+85C
<b>Leakage Current:</b>	378 uA
<b>Leakage Condition:</b>	5min/20c

**Packaging Specifications**

<b>Package Kind:</b>	Bulk
----------------------	------