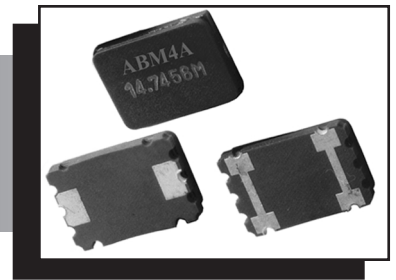


MICROPROCESSOR CRYSTALS

LOW PROFILE CERAMIC SURFACE MOUNT

ABM4A, ABM4B and ABM4C



FEATURES:

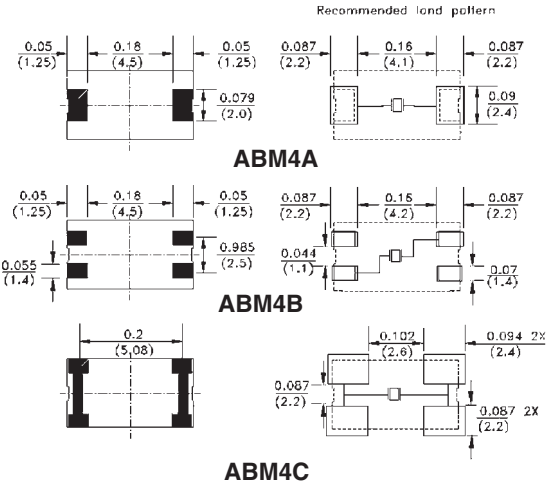
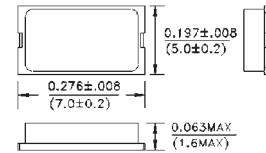
- 1.6mm max. in height.
- Resin Seal.
- Suitable for reflow.

APPLICATIONS:

- Computers, Modems and Microprocessors.
- Communication and Test equipment.
- High Density applications.

STANDARD SPECIFICATIONS

Frequency Range	10.00 MHz - 100.00 MHz
Operating Mode	10.00 MHz - 32.00 MHz (Fundamental) 28.00 MHz - 100.00 MHz (3rd overtone)
Operating Temperature	-10°C to + 60° C (See Options)
Storage Temperature	-40°C to + 85° C
Frequency Tolerance @ 25°C	±50 ppm max. (See Options)
Frequency Stability over Temp.	±50 ppm max. (See Options)
Equivalent Series Resistance (ESR)	60 Ω max. for 10.0 MHz ≤ F < 16.0 MHz 50 Ω max. for 16.0 MHz ≤ F ≤ 32.0 MHz 60 Ω max. for 28.0 MHz ≤ F < 34.0 MHz 80 Ω max. for 34.0 MHz ≤ F ≤ 100.0 MHz
Shunt Capacitance C ₀	7pF max.
Load Capacitance C _L	18 pF (See Options)
Drive Level	100μ W max.
Aging @ 25° C First Year	± 5 ppm max.
Insulation Resistance	500 MΩ min. at 100 Vdc ± 15V

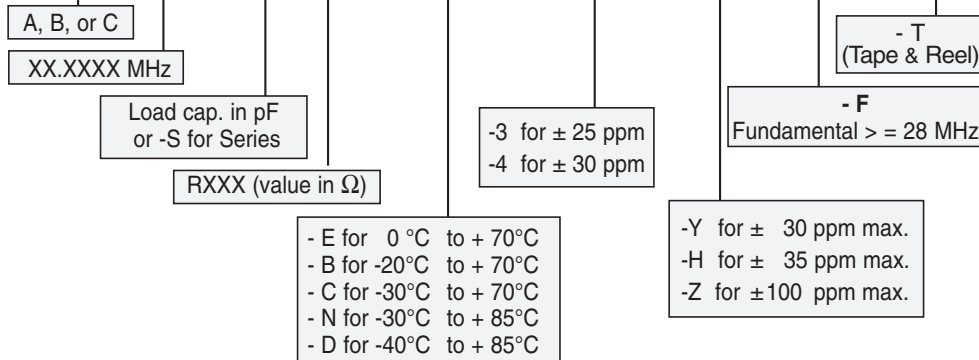


Please see environmental, and mechanical specifications on page 68, Group 2. Marking, see page 76. Tape and Reel, see pages 74-75 (1,000 pcs/reel).

Dimensions: Inches (mm)

ORDERING OPTIONS

ABM4X- Frequency - CL - ESR - Temperature - Tolerance - Stability - Mode - Packaging



NOTE: Left blank if standard • All specifications and markings subject to change without notice

29 Journey • Aliso Viejo, CA 92656 • USA
(949) 448-7070 • Fax: (949) 448-8484

E-MAIL: abinfo@abracon.com • INTERNET ADDRESS: www.abracon.com

