

**DIMM Connector**

**SPECIFICATIONS**

**Mechanical**

**Contact Retention Force:** 0.75Lbs (0.34kg) min.  
**Durability:** 25 Cycles  
**Vibration:** Pass MIL-STD-1344A, method 2005 Condition I

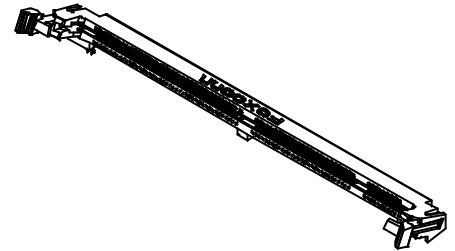
**AU184 Series**  
**25 Degree, T/H Type**  
**1.27mm [.050"] Pitch**  
**168 Pos.**

**Electrical**

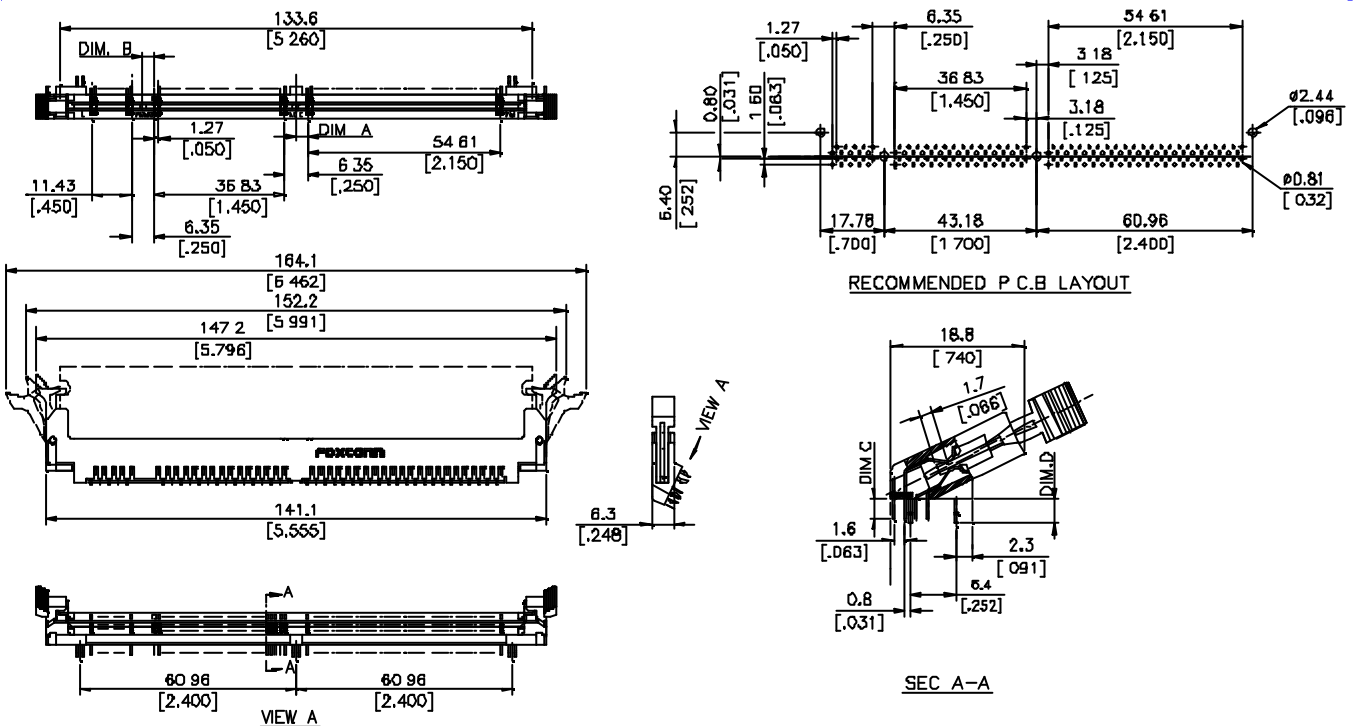
**Voltage Rating:** 250V  
**Current Rating:** 1.0A max.  
**Contact Resistance:** 30mW max.  
**Dielectric Withstanding Voltage:** 1000V  
**Insulation Resistance:** 1000MW min.

**Physical**

**Housing:** Thermoplastic, UL 94V-0 rated in Ivory Color  
**Ejector Lever:** Thermoplastic, UL 94V-0 rated in Ivory Color  
**Contact:** Copper alloy  
**Metal Hold Down:** Copper alloy  
**Operating Temperature:** -55 to +105

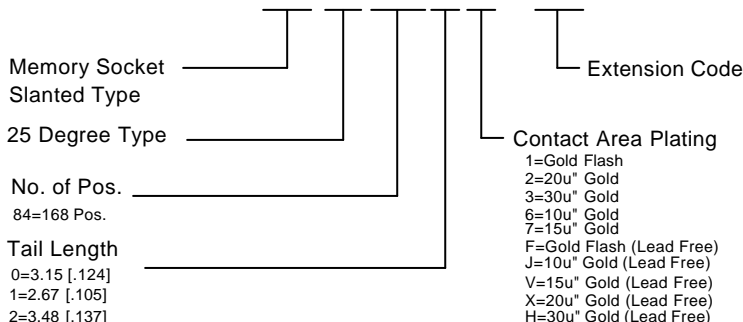


**DRAWING**



**ORDERING INFORMATION**

PRODUCT NO.: A U 1 8 4 \* \* - \* \* \*



AU1840*-A1	168	3.3V	3.175 [.125]	2.175 [.086]	3.15 [.124]	3.30 [.130]
AU1841*-A1		3.3V	3.176 [.126]	2.175 [.086]	2.67 [.106]	
P/N	POS	VOLTAGE MARKING	DIM. A	DIM. B	DIM. C	DIM. D