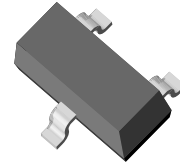


## Schottky Diodes

### Features

- These diodes feature very low turn-on voltage and fast switching.
- These devices are protected by a PN junction guard ring against excessive voltage, such as electrostatic discharges.



### Mechanical Data

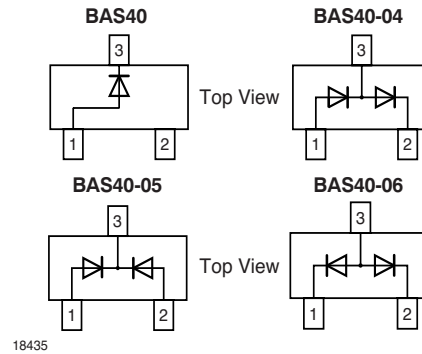
**Case:** SOT-23 Plastic Package

**Weight:** approx. 8 mg

**Packaging Codes/Options:**

GS18 / 10 k per 13" reel (8 mm tape), 10 k/box

GS08 / 3 k per 7" reel (8 mm tape), 15 k/box



18435

### Parts Table

Part	Ordering code	Marking	Remarks
BAS40	BAS40-GS18 or BAS40-GS08	43	Tape and Reel
BAS40-04	BAS40-04-GS18 or BAS40-04-GS08	44	Tape and Reel
BAS40-05	BAS40-05-GS18 or BAS40-05-GS08	45	Tape and Reel
BAS40-06	BAS40-06-GS18 or BAS40-06-GS08	46	Tape and Reel

### Absolute Maximum Ratings

$T_{amb} = 25\text{ }^{\circ}\text{C}$ , unless otherwise specified

Parameter	Test condition	Symbol	Value	Unit
Repetitive peak reverse voltage		$V_{RRM} = V_{RWM} = V_R$	40	V
Forward continuous current	$T_{amb} = 25\text{ }^{\circ}\text{C}$	$I_F$	200 <sup>1)</sup>	mA
Surge forward current	$t_p < 1\text{ s}$ , $T_{amb} = 25\text{ }^{\circ}\text{C}$	$I_{FSM}$	600 <sup>1)</sup>	mA
Power dissipation <sup>1)</sup>	$T_{amb} = 25\text{ }^{\circ}\text{C}$	$P_{tot}$	200 <sup>1)</sup>	mW

<sup>1)</sup> Device on fiberglass substrate, see layout on next page

### Thermal Characteristics

$T_{amb} = 25\text{ }^{\circ}\text{C}$ , unless otherwise specified

Parameter	Test condition	Symbol	Value	Unit
Thermal resistance junction to ambient air		$R_{\theta JA}$	430 <sup>1)</sup>	$^{\circ}\text{C}$
Junction temperature		$T_j$	150	$^{\circ}\text{C}$
Storage temperature range		$T_S$	- 55 to +150	$^{\circ}\text{C}$

<sup>1)</sup> Device on fiberglass substrate, see layout on next page.

## Electrical Characteristics

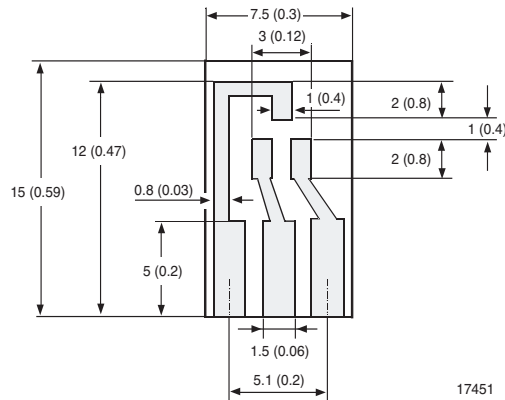
T<sub>amb</sub> = 25 °C, unless otherwise specified

Parameter	Test condition	Symbol	Min	Typ.	Max	Unit
Reverse breakdown voltage	I <sub>R</sub> = 10 μA (pulsed)	V <sub>(BR)</sub>	40			V
Leakage current	Pulse test V <sub>R</sub> = 30 V, t <sub>p</sub> < 300 μs	I <sub>R</sub>		20	100	nA
Forward voltage	Pulse test t <sub>p</sub> < 300 μs, I <sub>F</sub> = 1.0 mA	V <sub>F</sub>			380	mV
	Pulse test t <sub>p</sub> < 300 μs, I <sub>F</sub> = 40 mA,	V <sub>F</sub>			1000	mV
Capacitance	V <sub>R</sub> = 0 V, f = 1 MHz	C <sub>tot</sub>		4.0	5	pF
Reverse recovery time	I <sub>F</sub> = 10 mA, I <sub>R</sub> = 10 mA, I <sub>rr</sub> = 1 mA, R <sub>L</sub> = 100 Ω	t <sub>rr</sub>			5	ns

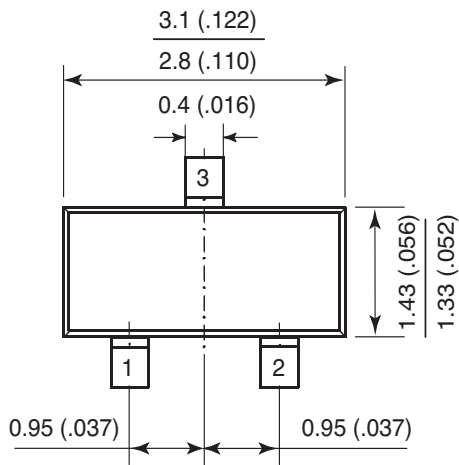
## Layout for R<sub>θJA</sub> test

Thickness:

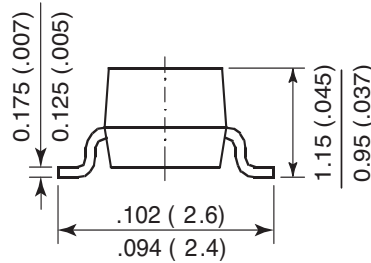
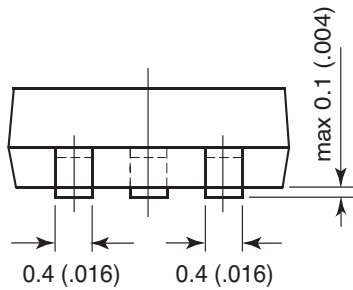
- Fiberglass 0.059 in. (1.5 mm)
- Copper leads 0.012 in. (0.3 mm)



## Package Dimensions in mm (Inches)

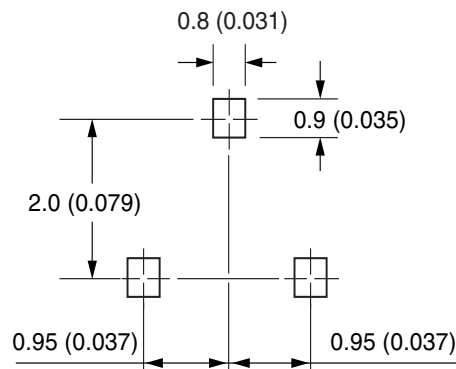


Top View



17418

## Mounting Pad Layout



17417

### Ozone Depleting Substances Policy Statement

It is the policy of **Vishay Semiconductor GmbH** to

1. Meet all present and future national and international statutory requirements.
2. Regularly and continuously improve the performance of our products, processes, distribution and operating systems with respect to their impact on the health and safety of our employees and the public, as well as their impact on the environment.

It is particular concern to control or eliminate releases of those substances into the atmosphere which are known as ozone depleting substances (ODSs).

The Montreal Protocol (1987) and its London Amendments (1990) intend to severely restrict the use of ODSs and forbid their use within the next ten years. Various national and international initiatives are pressing for an earlier ban on these substances.

**Vishay Semiconductor GmbH** has been able to use its policy of continuous improvements to eliminate the use of ODSs listed in the following documents.

1. Annex A, B and list of transitional substances of the Montreal Protocol and the London Amendments respectively
2. Class I and II ozone depleting substances in the Clean Air Act Amendments of 1990 by the Environmental Protection Agency (EPA) in the USA
3. Council Decision 88/540/EEC and 91/690/EEC Annex A, B and C (transitional substances) respectively.

**Vishay Semiconductor GmbH** can certify that our semiconductors are not manufactured with ozone depleting substances and do not contain such substances.

**We reserve the right to make changes to improve technical design  
and may do so without further notice.**

Parameters can vary in different applications. All operating parameters must be validated for each customer application by the customer. Should the buyer use Vishay Semiconductors products for any unintended or unauthorized application, the buyer shall indemnify Vishay Semiconductors against all claims, costs, damages, and expenses, arising out of, directly or indirectly, any claim of personal damage, injury or death associated with such unintended or unauthorized use.

Vishay Semiconductor GmbH, P.O.B. 3535, D-74025 Heilbronn, Germany  
Telephone: 49 (0)7131 67 2831, Fax number: 49 (0)7131 67 2423