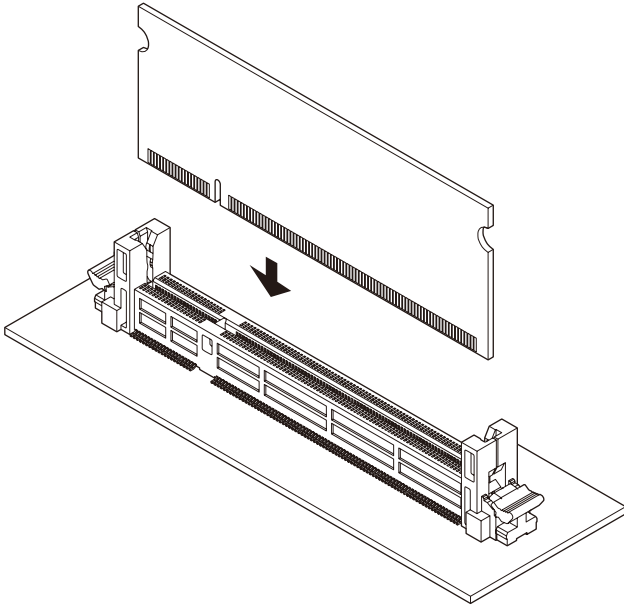




DM-200P CONNECTOR

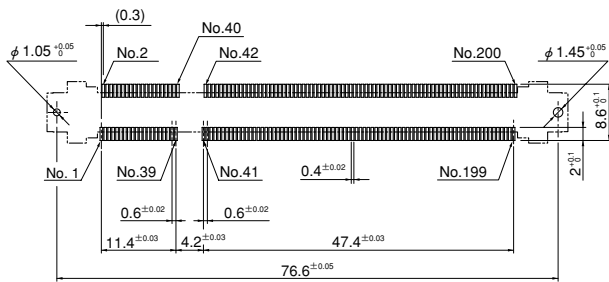
0.6mm pitch/Socket for DDR/DDR2 S.O.DIMM



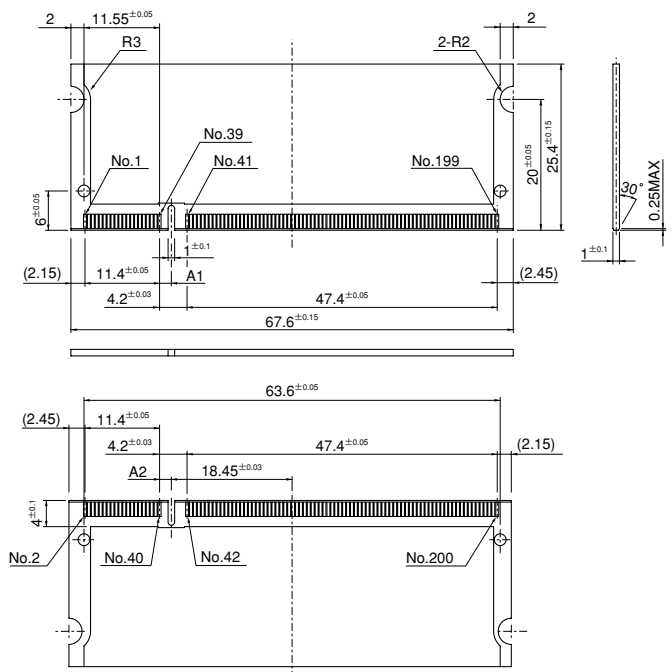
Socket for DDR/DDR2 S.O.DIMM 200 circuits complying with JEDEC(MO-224).

- Easy module inserting/ejecting
- 14.0mm height
- Socket for each S.O.DIMM of DDR/DDR2 is prepared.

PC board layout (Common)



Applicable PC board layout (Reference)



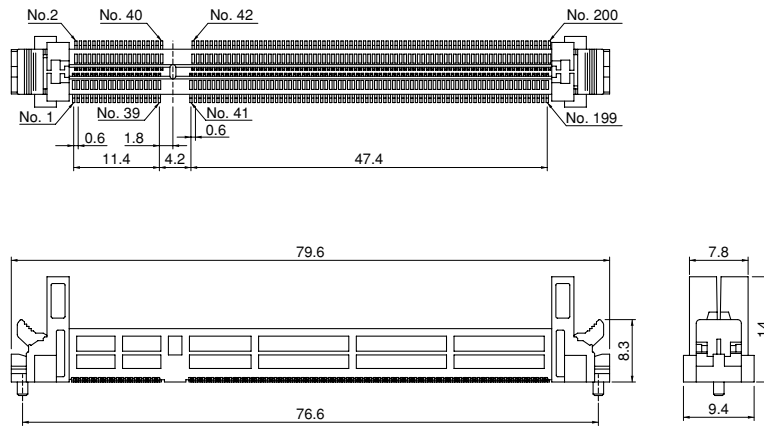
Note: The dimensions above should serve as a guideline.
Contact JST for details.

Applicable DIMM	A1	A2
Complying with JEDEC (MO224) DDR SDRAM S.O.DIMM 200P (2.5V)	1.8±0.03	1.5±0.03
Complying with JEDEC (MO224) DDR2 SDRAM S.O.DIMM 200P (1.8V)	2.7±0.03	2.4±0.03

DM-200P CONNECTOR

Connector

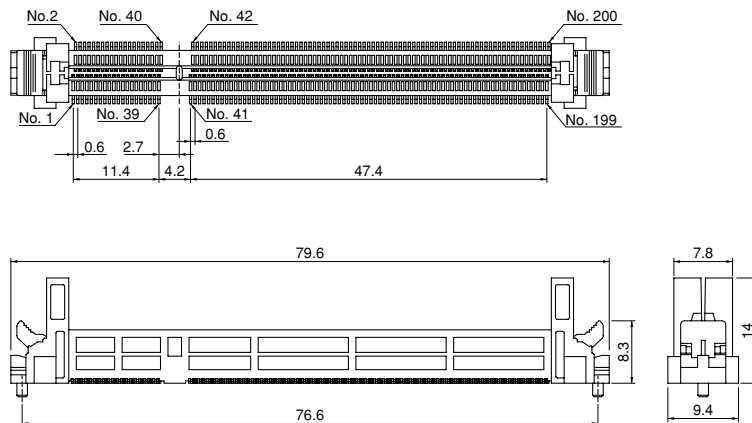
For DDR
(Operating voltage 2.5V)



Model No.	Material and Finish	Q'ty / box
DM-6D4-B2400	Contact: Copper alloy, nickel-undercoated, gold-plated Housing: Heat resisting resin, UL94V-0, black Ejector: Heat resisting resin, UL94V-0, blue	224

RoHS compliance

For DDR2
(Operating voltage 1.8V)



Model No.	Material and Finish	Q'ty / box
DM-7D4-H2400	Contact: Copper alloy, nickel-undercoated, gold-plated Housing: Heat resisting resin, UL94V-0 Ejector: Heat resisting resin, UL94V-0	224

RoHS compliance