

SPECIFICATIONS

Header Connector

Mechanical

Contact Retention Force: 0.91Kgf min. Per Pin

HB97 Series

Header, T/H Type

2.54mm [.10"] Pitch

Electrical

Current Rating: 3.0A max. per pin

Dielectric Withstanding Voltage: 500V AC

Insulation Resistance: 1000MΩ min.

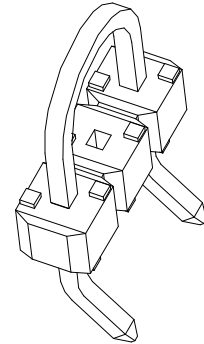
Physical

Housing: NYLONT, UL 94V-0

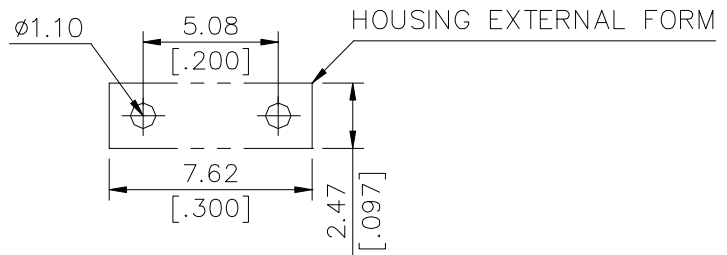
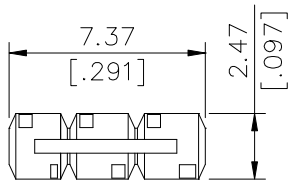
Contact: COPPER ALLOY

Plating: See "ODERING INFORMATION"

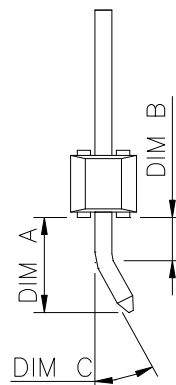
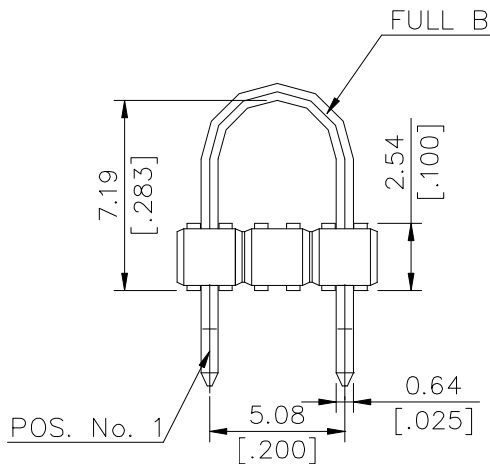
Operating Temperature: -40°C to +105°C



DRAWING



RECOMMENDED P.C.B.HOLE LAYOUT



ORDERING INFORMATION

<p>TERMINATION & CONTACT TYPE HIGH TEMPERATURE THERMOPLASTIC</p> <p>No. OF SINGLE ROW POS. 03 = 3 POS.</p> <p>PLATING CODE E = 100u" MIN. PLATING OVER ALL WITH RoHS COMPLIANCE</p>	<p>H B 97 03 * - * * *</p> <p>HOUSING COLOR NONE: BLACK W: NATURAL</p> <p>TAIL LENGTH NONE: DIM.A=3.60mm 3: DIM.A=4.18mm 5: DIM.A=4.57mm</p> <p>KINK S: WITHOUT KINK K: WITH KINK, DIM.B=1.65, DIM.C=20° D: WITH KINK, DIM.B=1.65, DIM.C=45° M: WITH KINK, DIM.B=2.43, DIM.C=45°</p>
---	--