

SPECIFICATIONS

Header Connector

Mechanical

Contact Retention Force: 454g min.
Durability: 1000 Cycles

HS62 Series

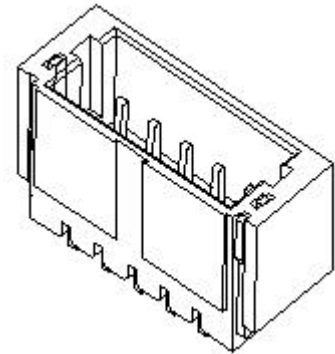
S/R, R/A, SMT Type, Plug
1.00mm [.039"] Pitch

Electrical

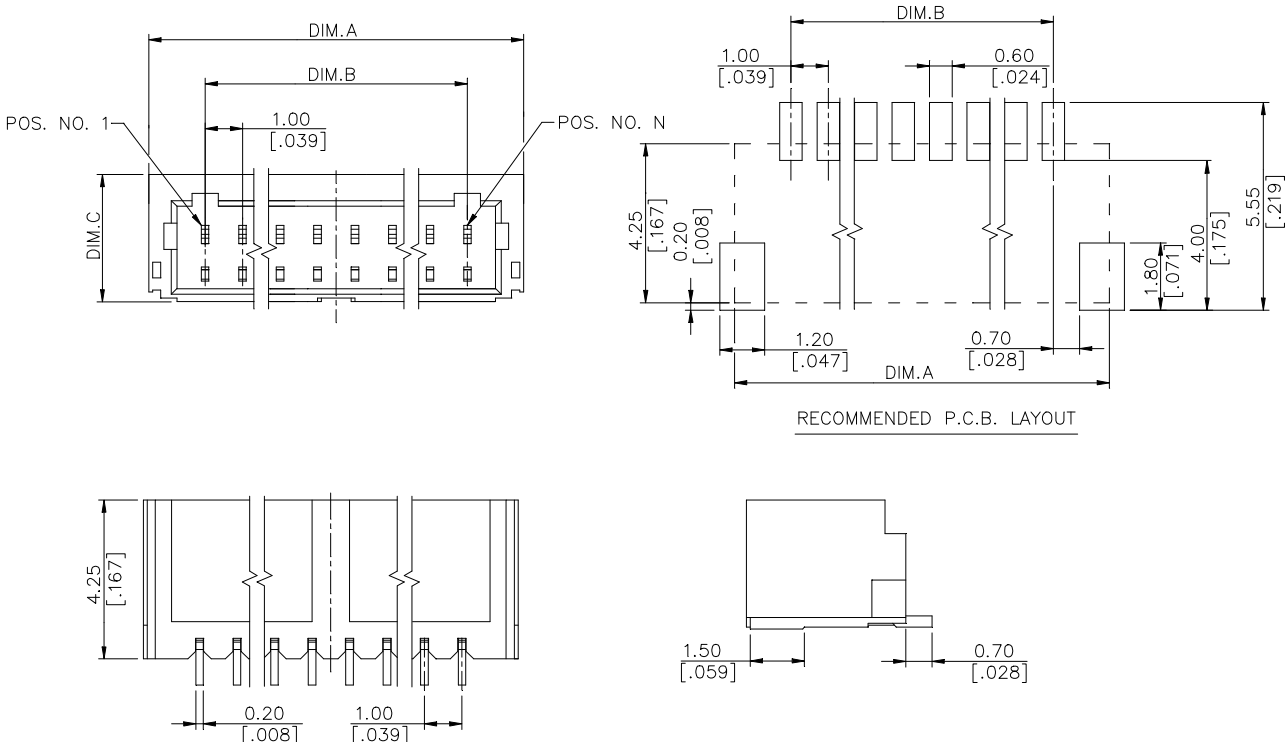
Voltage Rating: 500V
Current Rating: 1.0A per pin min.
Contact Resistance: 40mW max
Dielectric Withstanding Voltage: 500V AC
Insulation Resistance: 1000MW min

Physical

Housing: High temp thermoplastic, UL94V-0, rated in Ivory Color
Contact: Copper Alloy
Plating: See "ORDERING INFORMATION"
Solder Pad: Copper Alloy
Operating Temperature: -25 to +85



DRAWING



ORDERING INFORMATION

PRODUCT NO.: H S 62 ** * - **

Header Series
 SMT Type
 Termination & Contact Type
 No. of Pos.
 02 = 02 Pos.
 :
 15 = 15 Pos.

Modification Code
 NONE=Standard Type
 M=Strengthen Type
 T2(M)=The 2nd and 3th Pin are Removed
 T3(M)=The 3th and 4th Pin are Removed
 Contact Area Plating
 0=Tin/Lead Plating over all
 E=Tin Plating with RoHS COMPLIANCE
 1=Gold Flash Plating
 F=Gold Flash with Lead free RoHS COMPLIANCE

See the Attachment

HS6215*-**	15	17.3 [.681]	14.00 [.551]	2.90 [.114]
HS6214*-**	14	16.3 [.642]	13.00 [.512]	
HS6213*-**	13	15.3 [.602]	12.00 [.472]	
HS6212*-**	12	14.3 [.563]	11.00 [.433]	
HS6211*-**	11	13.3 [.524]	10.00 [.394]	
HS6210*-**	10	12.3 [.484]	9.00 [.354]	
HS6209*-**	9	11.3 [.445]	8.00 [.315]	
HS6208*-**	8	10.3 [.406]	7.00 [.276]	
HS6207*-**	7	9.3 [.366]	6.00 [.236]	
HS6206*-**	6	8.3 [.327]	5.00 [.197]	
HS6205*-**	5	7.3 [.287]	4.00 [.157]	
HS6204*-**	4	6.3 [.248]	3.00 [.118]	
HS6203*-**	3	5.3 [.209]	2.00 [.079]	
HS6202*-**	2	4.3 [.169]	1.00 [.039]	
P/N	POS.	DIM.A	DIM.B	DIM.C

HS6215*-**M	15	17.3 [.681]	14.00 [.551]	3.40 [.140]
HS6214*-**M	14	16.3 [.642]	13.00 [.512]	
HS6213*-**M	13	15.3 [.602]	12.00 [.472]	
HS6212*-**M	12	14.3 [.563]	11.00 [.433]	
HS6211*-**M	11	13.3 [.524]	10.00 [.394]	
HS6210*-**M	10	12.3 [.484]	9.00 [.354]	
HS6209*-**M	9	11.3 [.445]	8.00 [.315]	
HS6208*-**M	8	10.3 [.406]	7.00 [.276]	
HS6207*-**M	7	9.3 [.366]	6.00 [.236]	
HS6206*-**M	6	8.3 [.327]	5.00 [.197]	
HS6205*-**M	5	7.3 [.287]	4.00 [.157]	
HS6204*-**M	4	6.3 [.248]	3.00 [.118]	
HS6203*-**M	3	5.3 [.209]	2.00 [.079]	
HS6202*-**M	2	4.3 [.169]	1.00 [.039]	
P/N	POS.	DIM.A	DIM.B	DIM.C