



NF3000A-VZ Series

3 Phase & 3 lines 250VAC

A smallest type for industrial purpose



UL1283,EN133200

[Click here](#) (PDF 174KB)

Application

Communication equipment/Inverter/UPS/CVCF/VVVF etc.

Specifications

Part No.	Rated Current	Weight	Dimmension [mm]																
			A	B	C	D	E	F	G	H	J	K	L	M	N	P	Q	R	S
NF3010A-VZ	10A	0.45Kg	128	118	108	63	43	42	1	4.5x6	dia.4.5	M4	M4	21	88	21	19	35	10
NF3020A-VZ	20A	0.50Kg	128	118	108	63	43	42	1	4.5x6	dia.4.5	M4	M4	21	88	21	19	35	10
NF3030A-VZ	30A	0.65Kg	145	135	125	70	50	42	1	4.5x6	dia.4.5	M4	M4	25	103	22	20	35	10
NF3040A-VZ	40A	1.25Kg	179	167	155	90	70	54	1.6	4.5x6	dia.4.5	M5	M4	32	131	25	23	45	14
NF3050A-VZ	50A	1.3Kg	179	167	155	90	70	54	1.6	4.5x6	dia.4.5	M5	M4	32	131	25	23	45	14
NF3060A-VZ	60A	1.5Kg	179	167	155	90	70	54	1.6	4.5x6	dia.4.5	M5	M4	32	131	25	23	45	14
NF3080A-VZ	80A	3.0Kg	260	245	230	189	144.5	120	90	80	61	12	6.5	M8	M5	-	-	-	-
NF3100A-VZ	100A	3.0Kg	260	245	230	189	144.5	120	90	80	61	12	6.5	M8	M5	-	-	-	-
NF3150A-VZ	150A	5.5Kg	285	270	255	216	171	170	100	105	89	67	6.5	M8	M8	-	-	-	-
Rated Voltage	250VAC																		
Leakage Current	1.5mA																		

fig1 (10-60A)

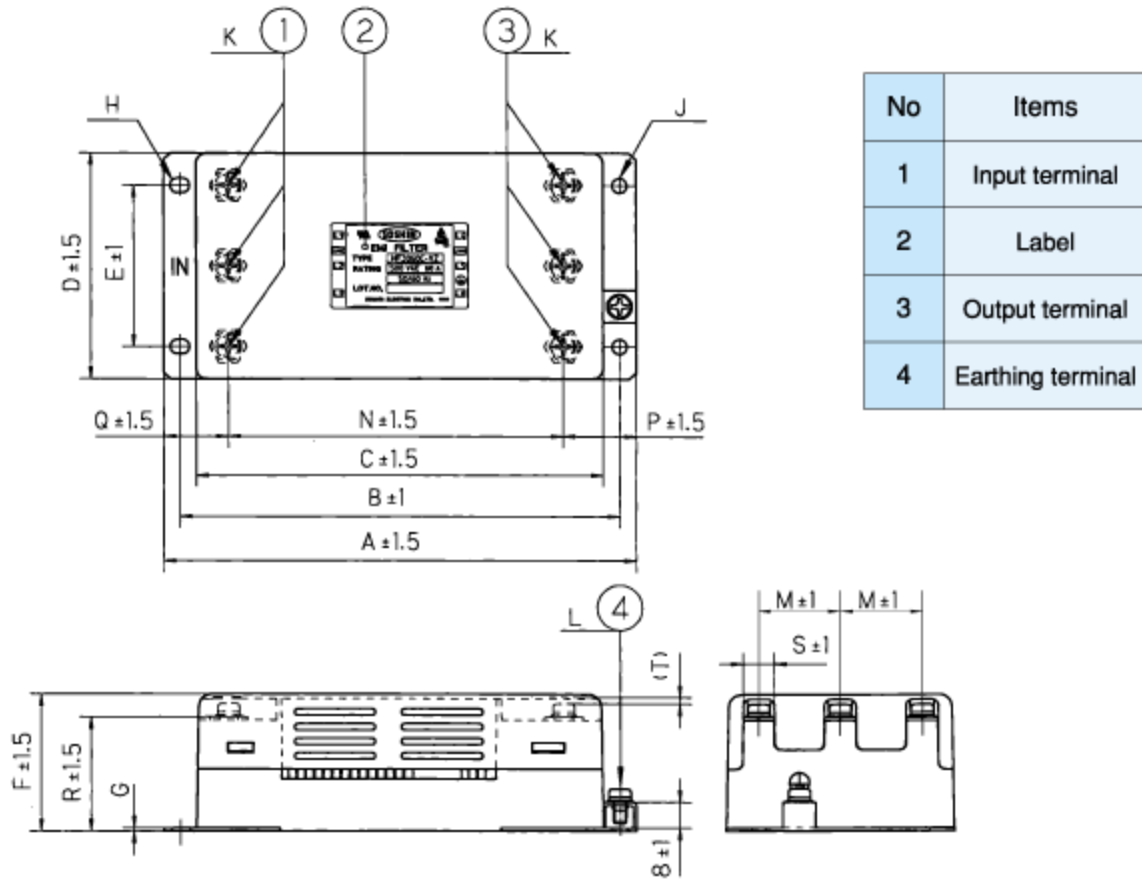
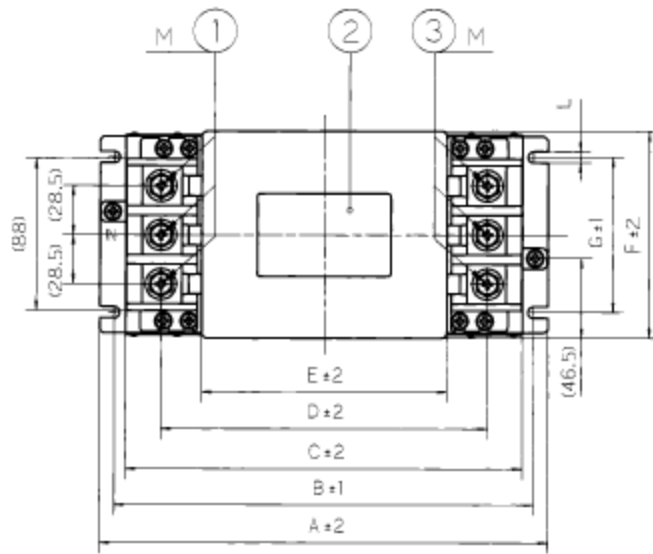
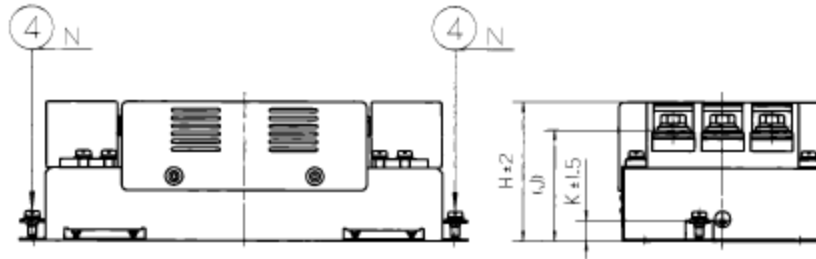


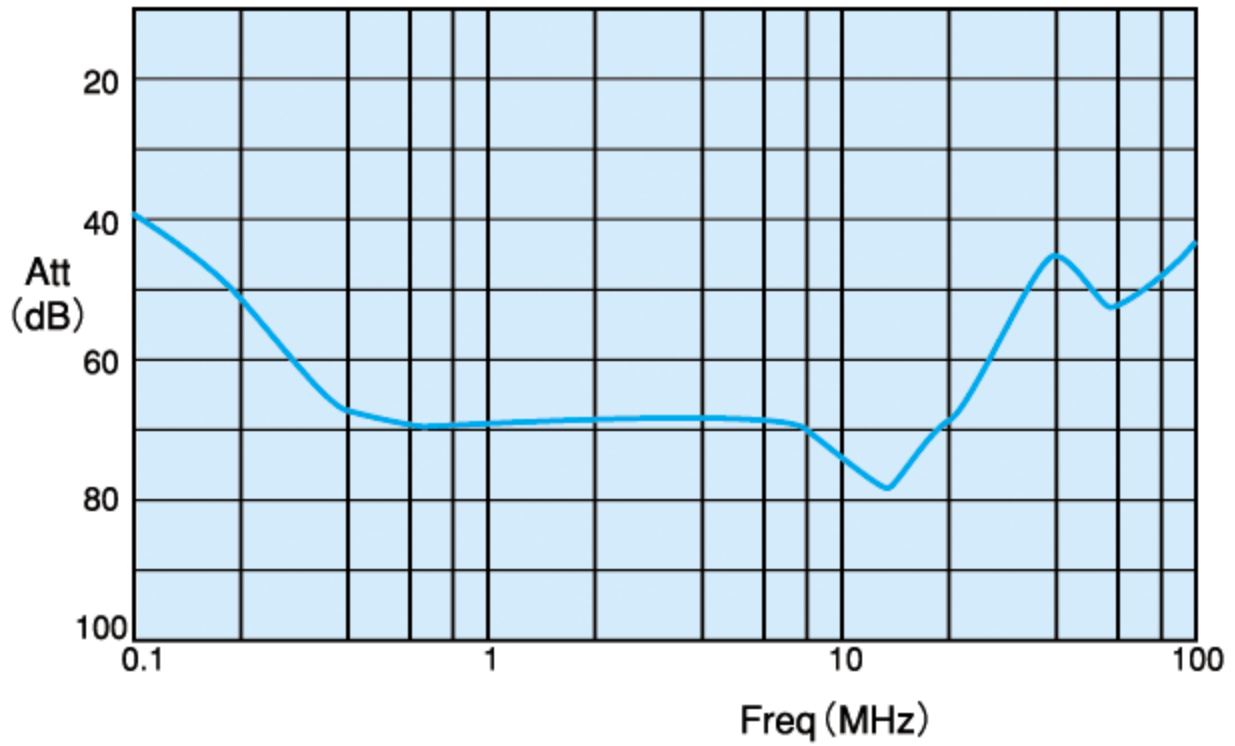
fig2 (80,100A)



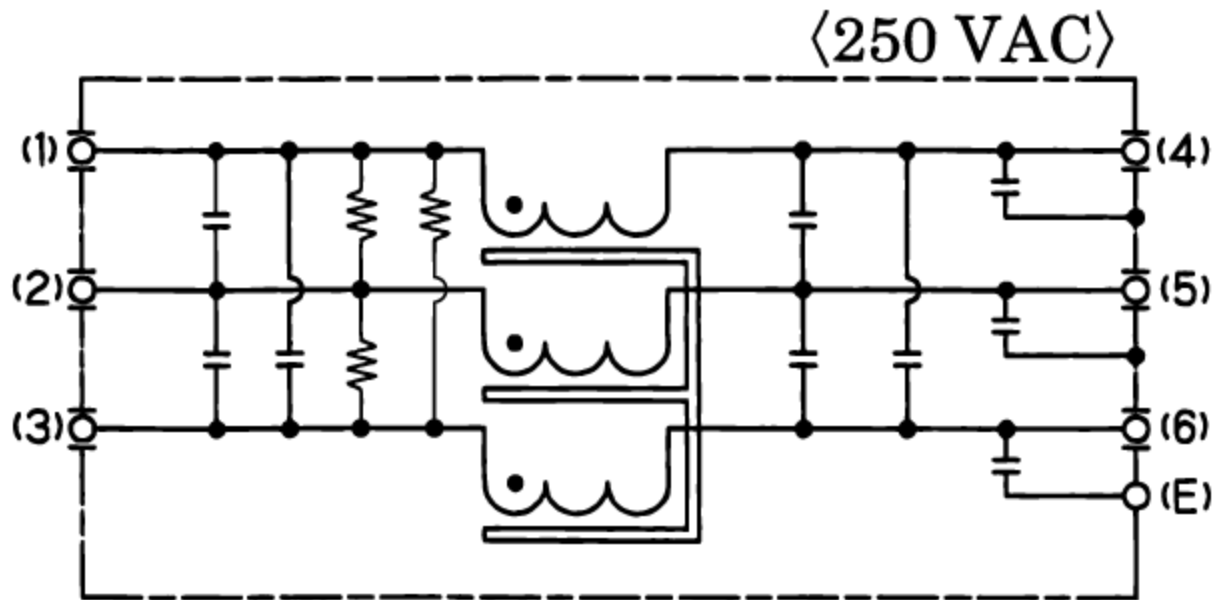
No	Items
1	Input terminal
2	Label
3	Output terminal
4	Earthing terminal



Frequency Data



Circuit Diagram



► Prc