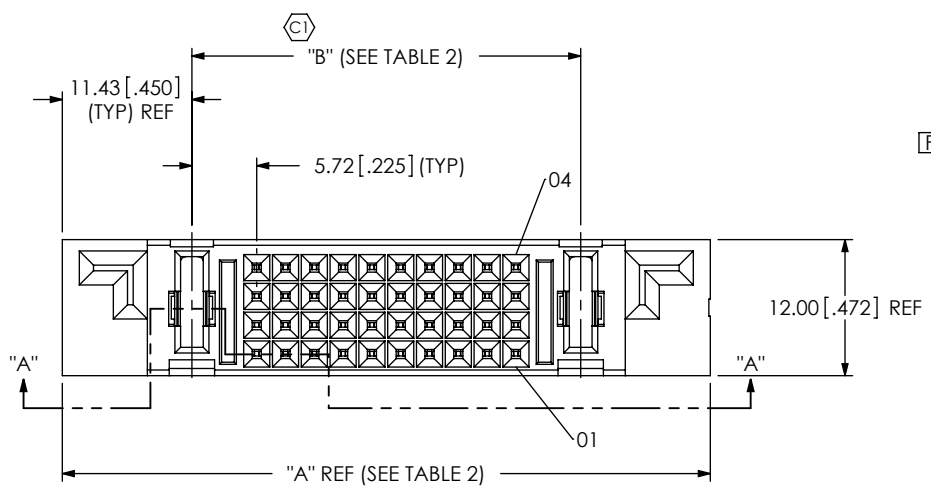


DO NOT SCALE FROM THIS PRINT

DESIGNED & DIMENSIONED IN MILLIMETERS [INCHES]

PESC-XX-XX-XX-01-X-VT-XX



POWER PINS (PER END)
-01, -02, -04
(SEE TABLE 1 FOR AVAILABLE COMBINATIONS)

[F] SIGNAL PINS
* -12
-40 (SEE TABLE 1 FOR AVAILABLE COMBINATIONS)

POWER PINS (PER END)
-01, -02, -04 (SEE TABLE 1 FOR AVAILABLE COMBINATIONS)

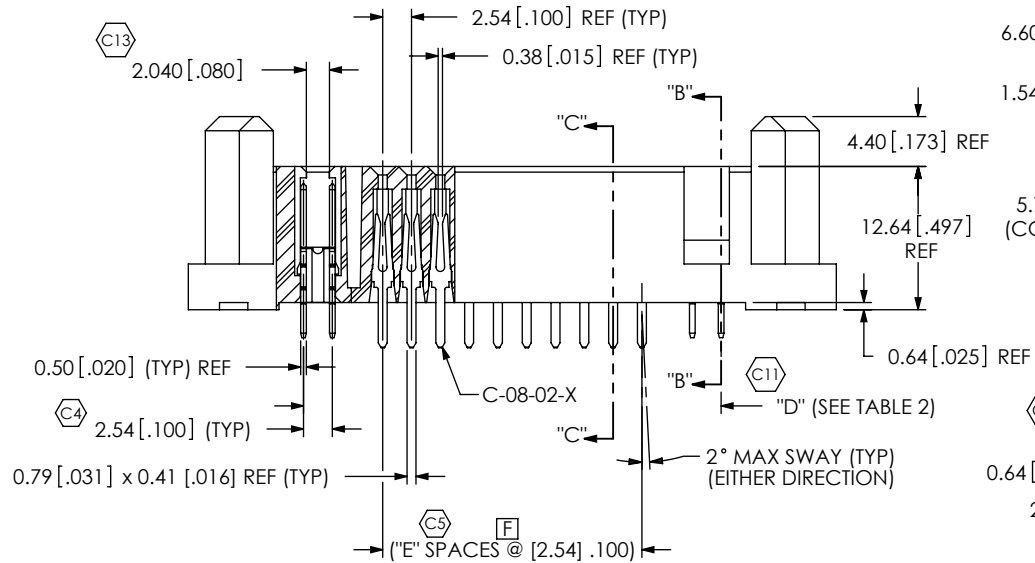
LEAD STYLE
-01

OPTION
-LC: LOCKING CLIP
(USE LC-11-TM)
(SEE FIG. 2, SHT 2)

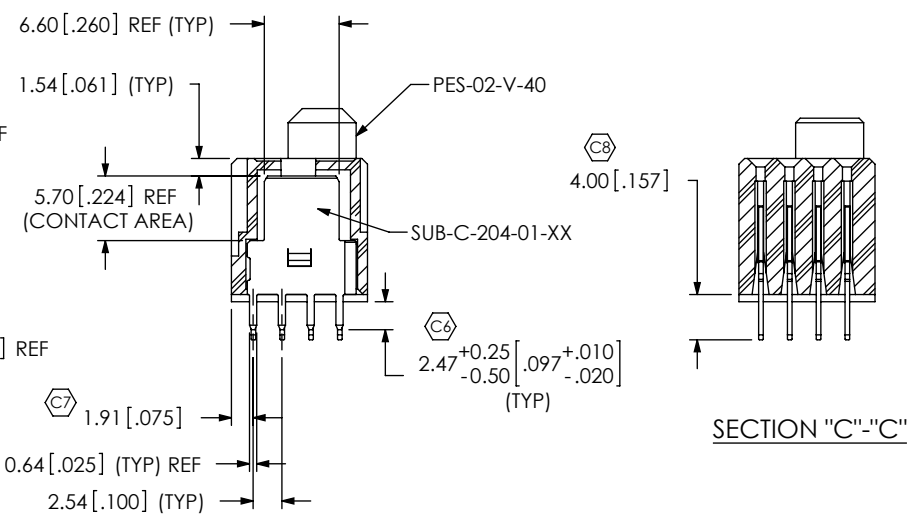
VERTICAL

PLATING SPECIFICATION
-S: SELECTIVE GOLD ON CONTACT / MATTE TIN ON TAIL
-T: MATTE TIN ALL OVER
-L: LIGHT SELECTIVE GOLD ON CONTACT / MATTE TIN ON TAIL

* = NOT RELEASED



SECTION "A"-"A"



SECTION "B"-"B"

FIG. 1
PESC-01-40-01-01-X-VT SHOWN

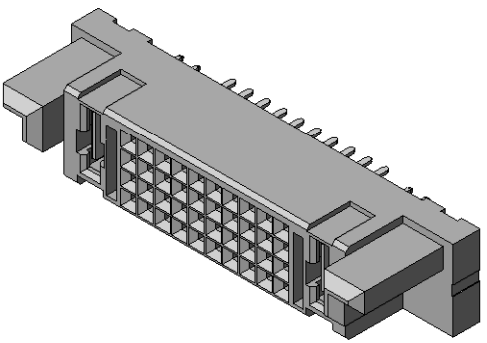


TABLE 1

PART NUMBER	MAX	"E"
PESC-01-12-01-01-X-VT-XX	0.15 [.006]	2
PESC-02-12-02-01-X-VT-XX	0.20 [.008]	2
PESC-04-12-04-01-X-VT-XX	0.20 [.008]	2
PESC-01-40-01-01-X-VT-XX	0.15 [.006]	9
PESC-02-40-02-01-X-VT-XX	0.20 [.008]	9
PESC-04-40-04-01-X-VT-XX	0.20 [.008]	9

- NOTES:
- Ⓢ REPRESENTS A CRITICAL DIMENSION.
 - BURR ALLOWANCE: 0.038 [.0015] MAX.
 - MINIMUM PUSHOUT FORCE: 2.22N [5 LB].
 - PARTS TO BE PACKAGED IN TRAYS.

UNLESS OTHERWISE SPECIFIED, DIMENSIONS ARE IN MILLIMETERS. TOLERANCES ARE:
DECIMALS ANGLES
.X: ±0.3 [.01] 2°
.XX: ±0.13 [.005]
.XXX: ±0.051 [.0020]

PROPRIETARY NOTE
THIS DOCUMENT CONTAINS INFORMATION CONFIDENTIAL AND PROPRIETARY TO SAMTEC, INC. AND SHALL NOT BE REPRODUCED OR TRANSFERRED TO OTHER DOCUMENTS OR DISCLOSED TO OTHERS OR USED FOR ANY PURPOSE OTHER THAN THAT WHICH IT WAS OBTAINED WITHOUT THE EXPRESSED WRITTEN CONSENT OF SAMTEC, INC.



520 PARK EAST BLVD, NEW ALBANY, IN 47150
PHONE: 812-944-6733 FAX: 812-948-5047
e-Mail: info@SAMTEC.com code: 55322

MATERIAL: DO NOT SCALE DRAWING SHEET SCALE: 1:0.666667
INSULATOR: LCP, COLOR: BLACK
CONTACT: COPPER ALLOY

DESCRIPTION: VERTICAL POWER SOCKET

DWG. NO. PESC-XX-XX-XX-01-X-VT-XX

BY: CLAY W 1/10/2006 SHEET 1 OF 2

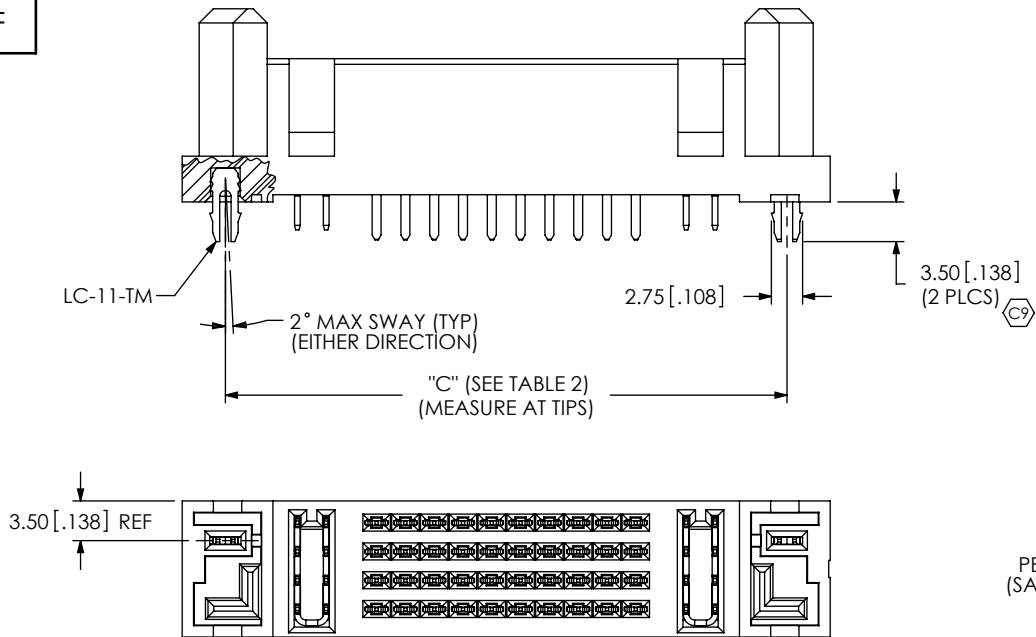


FIG. 2
PESC-01-40-01-01-X-VT-LC SHOWN
(SAME AS FIG. 1, EXCEPT AS SHOWN)

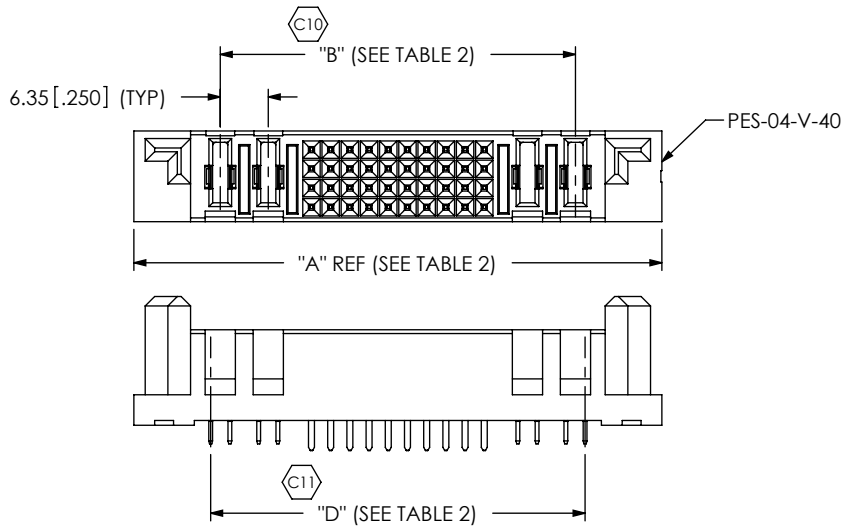
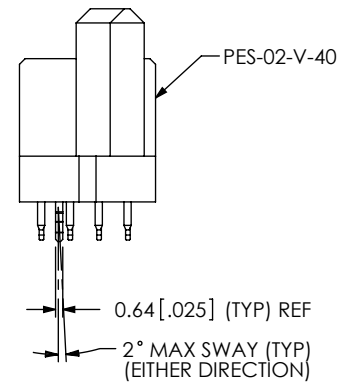


FIG. 3
PESC-02-40-02-01-X-VT SHOWN
(SAME AS FIG. 1 EXCEPT AS SHOWN)

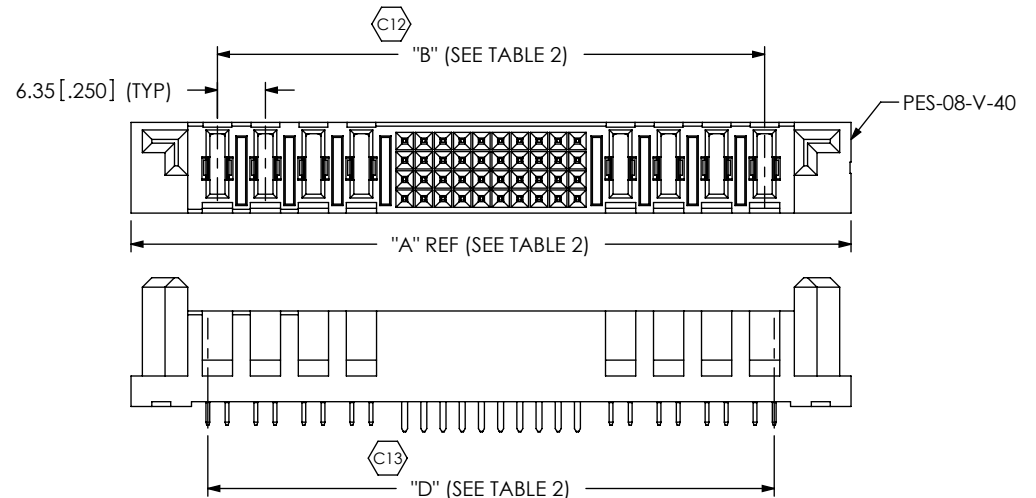


FIG. 4
PESC-04-40-04-01-X-VT SHOWN
(SAME AS FIG. 1 EXCEPT AS SHOWN)

PART NUMBER	TABLE 2			
	"A"	"B"	"C"	"D"
PESC-01-12-01-01-X-VT-XX	39.37 [1.550]	16.51 [.650]	31.75 [1.250]	19.05 [.750]
PESC-02-12-02-01-X-VT-XX	52.07 [2.050]	29.21 [1.150]	44.45 [1.750]	31.75 [1.250]
PESC-04-12-04-01-X-VT-XX	77.47 [3.050]	54.61 [2.150]	69.85 [2.750]	57.13 [2.250]
PESC-01-40-01-01-X-VT-XX	57.15 [2.250]	34.29 [1.350]	49.53 [1.950]	36.83 [1.450]
PESC-02-40-02-01-X-VT-XX	69.85 [2.750]	46.99 [1.850]	62.23 [2.450]	49.53 [1.950]
PESC-04-40-04-01-X-VT-XX	95.25 [3.750]	72.39 [2.850]	87.63 [3.450]	74.93 [2.950]

PROPRIETARY NOTE
THIS DOCUMENT CONTAINS INFORMATION
CONFIDENTIAL AND PROPRIETARY TO
SAMTEC, INC. AND SHALL NOT BE REPRODUCED
OR TRANSFERRED TO OTHER DOCUMENTS OR
DISCLOSED TO OTHERS OR USED FOR ANY
PURPOSE OTHER THAN THAT WHICH IT WAS
OBTAINED WITHOUT THE EXPRESSED WRITTEN
CONSENT OF SAMTEC, INC.

DO NOT SCALE DRAWING

SHEET SCALE: 1:0.666667

samtec

520 PARK EAST BLVD, NEW ALBANY, IN 47150
PHONE: 812-944-6733 FAX: 812-948-5047
e-Mail: info@SAMTEC.com code: 55322

DESCRIPTION:
VERTICAL POWER SOCKET

DWG. NO.
PESC-XX-XX-XX-01-X-VT-XX

BY: CLAY W 1/10/2006 SHEET 2 OF 2