

# 50 Amps/Series 5500

## For panel interface mounting

Heavy-duty Beau 5500 connectors are compatible with "Series 500 type." The 5500 series is a rectangular blade type connector rated at 50 amps — the only 50 amp connector of any kind with the wide range of 2 to 16 contacts. The 5500 plug and socket are made with Shallow Bracket (-SB) hardware for panel mounting.

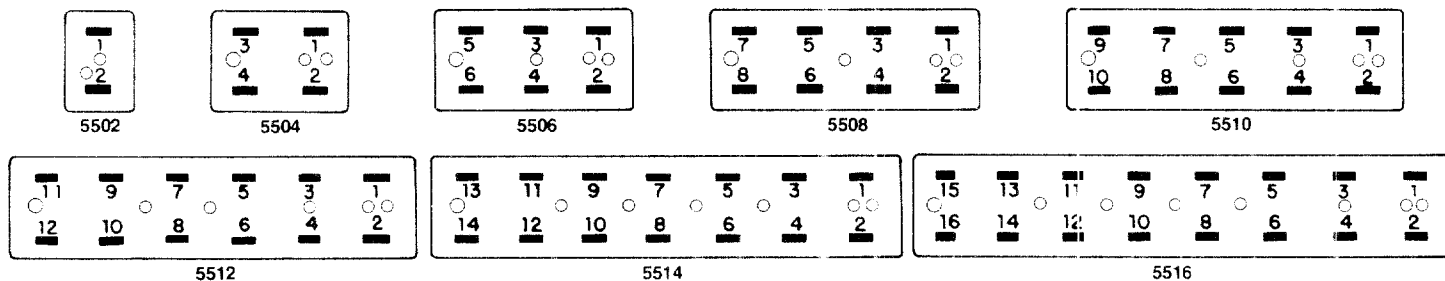
**Hermaphroditic option:** Available with any combination of male and female contacts in both halves.

**Typical applications** include heavy-duty battery powered equipment, lighting, heating and cooling systems, large power supplies, etc.

## Contact orientation

The polarization arrangement numbers shown are for sockets, as viewed from the wiring side. Plug numbering is the opposite.

○ = polarizing position



## SB Shallow Bracket

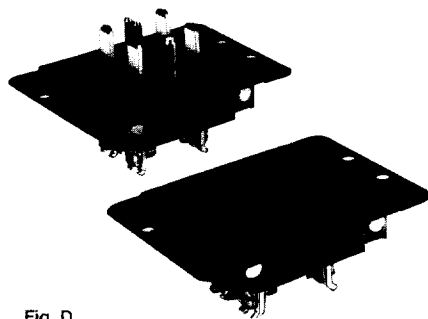
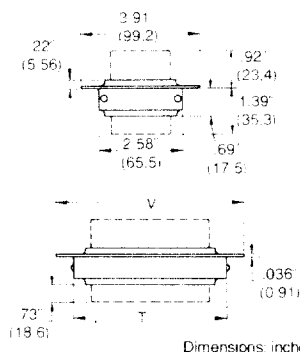


Fig. D



Dimensions: inches (mm)

## Specifications

Current rating, individual contacts	50 amps
Voltage rating, rms	600 volts
No. of contacts	2 to 16
Plug contact material	Brass, cadmium plated
Plug contact dimensions (exposed contact surface)	.72" L x .32" W x .09" thick (18.3 x 8.1 x 2.3 mm)
Socket contact	Phosphor bronze, cadmium plated. Double-wipe socket engages both sides of plug contacts
Contact tails	No. 10-32 binding head screw
Contact plating options (add dash number to catalog number)	-03: .0003" (8μm) silver -04: .000015" (0.4μm) gold over .0002" (5μm) nickel -05: .00001" (0.3μm) rhodium over .0002" (5μm) nickel
Base insulating material	High-grade phenolic, black
Shallow bracket material	Steel, baked black wrinkle enamel finish over zinc chromate plating

No. of Contacts	Catalog No. — Plug (P-), and Socket (S-)	In./mm	Connector dimensions		Panel mounting dimensions (suggested)		Panel dimension drawings (suggested)
			T	V	A	C	
2	5502	in. mm	1.33 33.7	1.94 49.2	— —	1.63 41.3	Fig. E Dimensions: inches (mm) 
4	5504	in. mm	2.14 54.4	2.75 69.8	.81 20.6	2.44 61.9	Fig. F 
6	5506	in. mm	2.95 75.0	3.56 90.5	1.62 41.1	3.25 82.6	
8	5508	in. mm	3.75 95.3	4.38 111	2.44 62.0	4.06 103	
10	5510	in. mm	4.56 116	5.19 132	3.25 82.6	4.88 124	
12	5512	in. mm	5.38 137	6.00 152	2.03 51.6	5.69 144	Fig. G 
14	5514	in. mm	6.19 157	6.81 173	2.44 62.0	6.50 165	
16	5516	in. mm	7.00 178	7.63 194	2.84 72.1	7.31 186	