



XRT6164 Digital Line Interface Transceiver

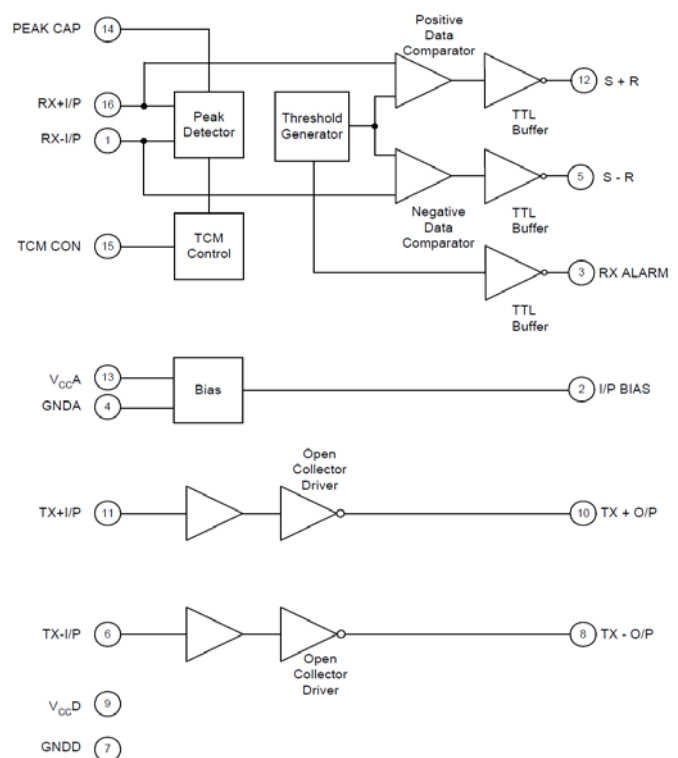
General Description:

The XRT6164 is a CMOS analog chip intended for general purpose line interface applications at bit rates up to 1.544Mbps (T1). It contains both receive and transmit circuitry in a 16-pin dual-in-line plastic package. The receiver is designed for short line applications having a cable loss up to 10dB measured at the half bit rate. The transmitter has open collector line driver outputs that are capable of handling up to 40mA. When used in conjunction with either XRT6165 or XRT6166, the chip set provides a 64Kbps co directional interface as specified in CCITT G.703.



Key Features:

- Single 5V Supply
- CCITT G.703 Compatible When Used With Either XR-T6165 or XR-T6166
- Low Power
- TTL Compatible Digital Inputs and Outputs
- Links Remote Equipment at Distances up to 500 Meters Without Equalization
- Receive Data Comparator Threshold Storage
- Provides Ping-Pong Operation Capability
- Loss of Signal Alarm
- Dual Matched Driver Outputs



Applications:

- Data Adaption Unit (DAU)
- General Purpose TTL Compatible Line Interface

Related Products Information:

MfrW Part #	Farnell #	Newark #	Description
XRT6164CD-F	1798678	24R1702	Digital Line Interface Transceiver -16 Lead JEDEC SOIC Package

