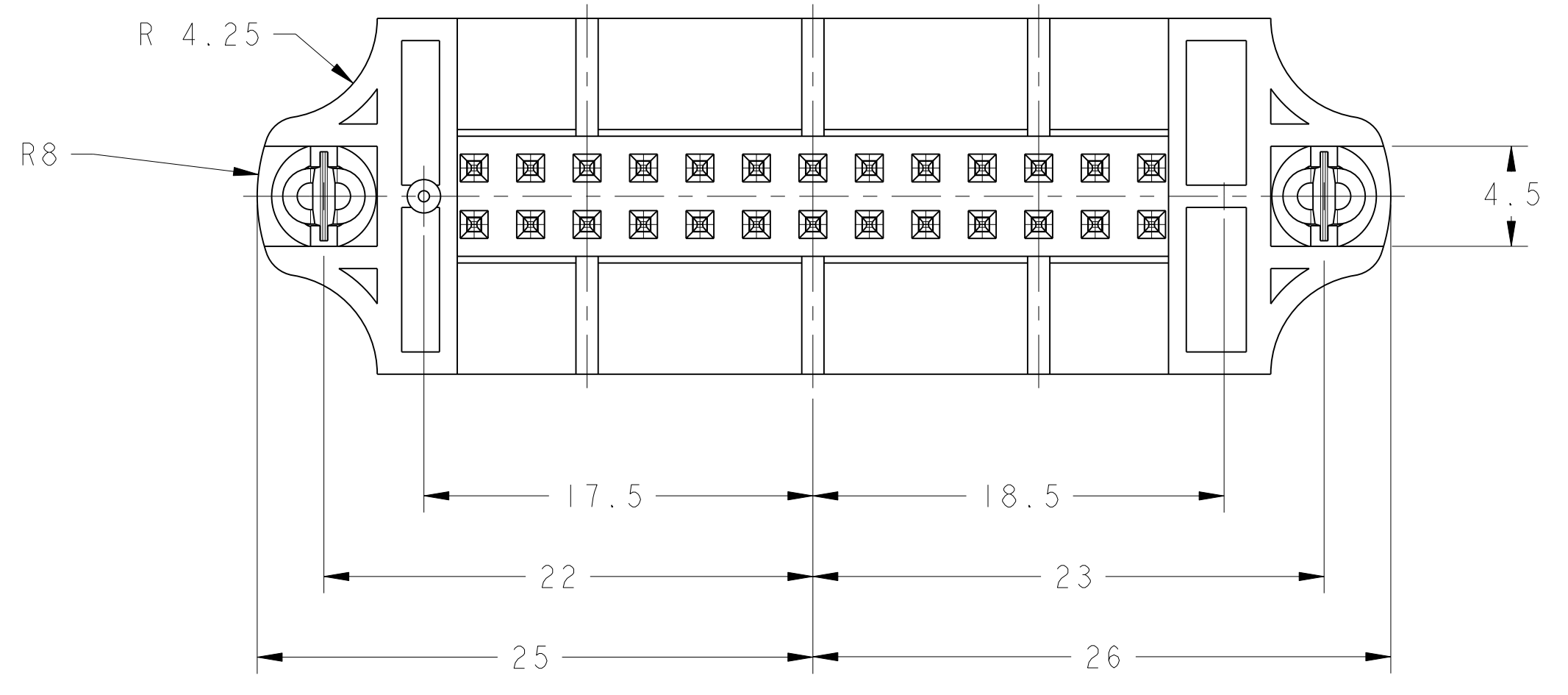
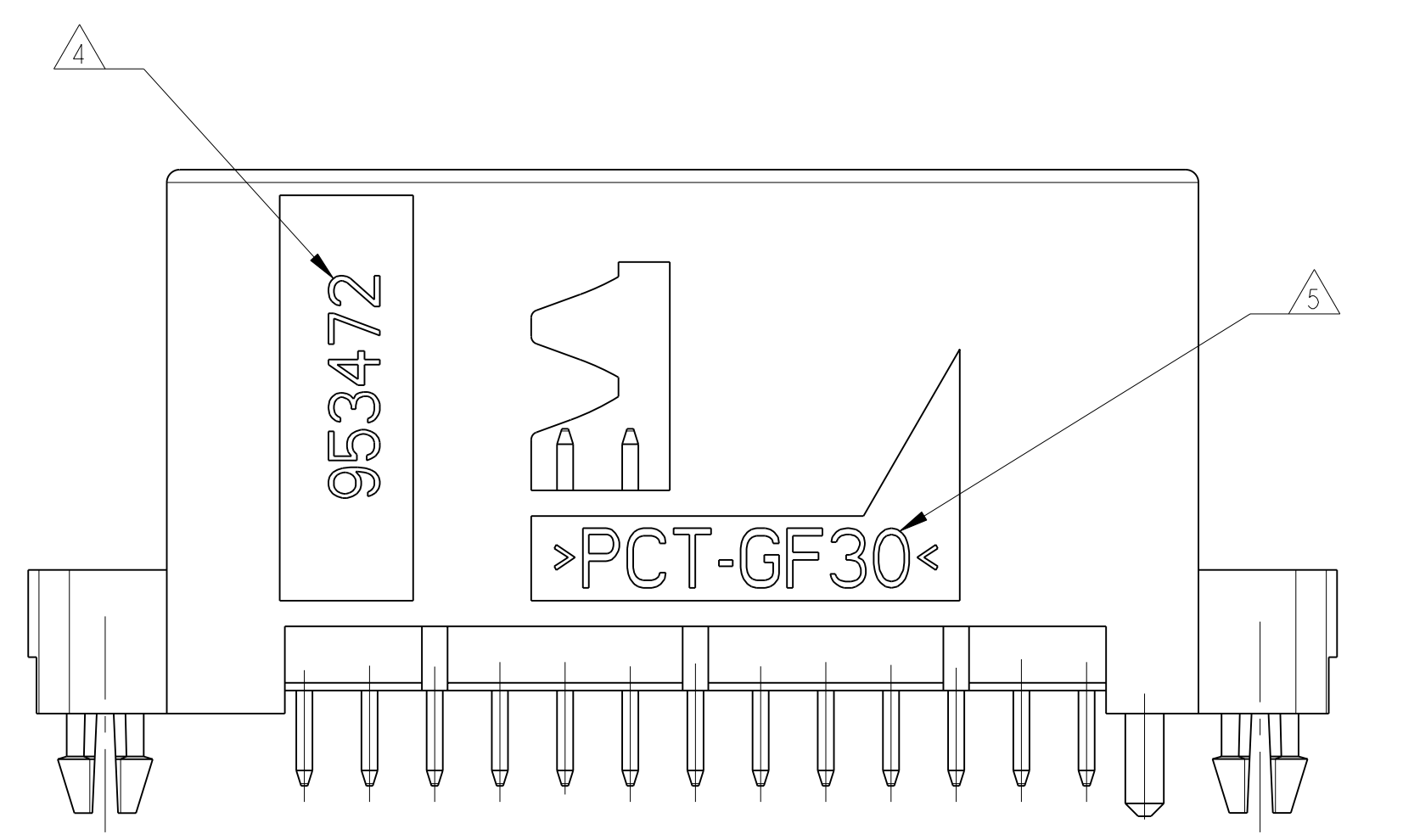
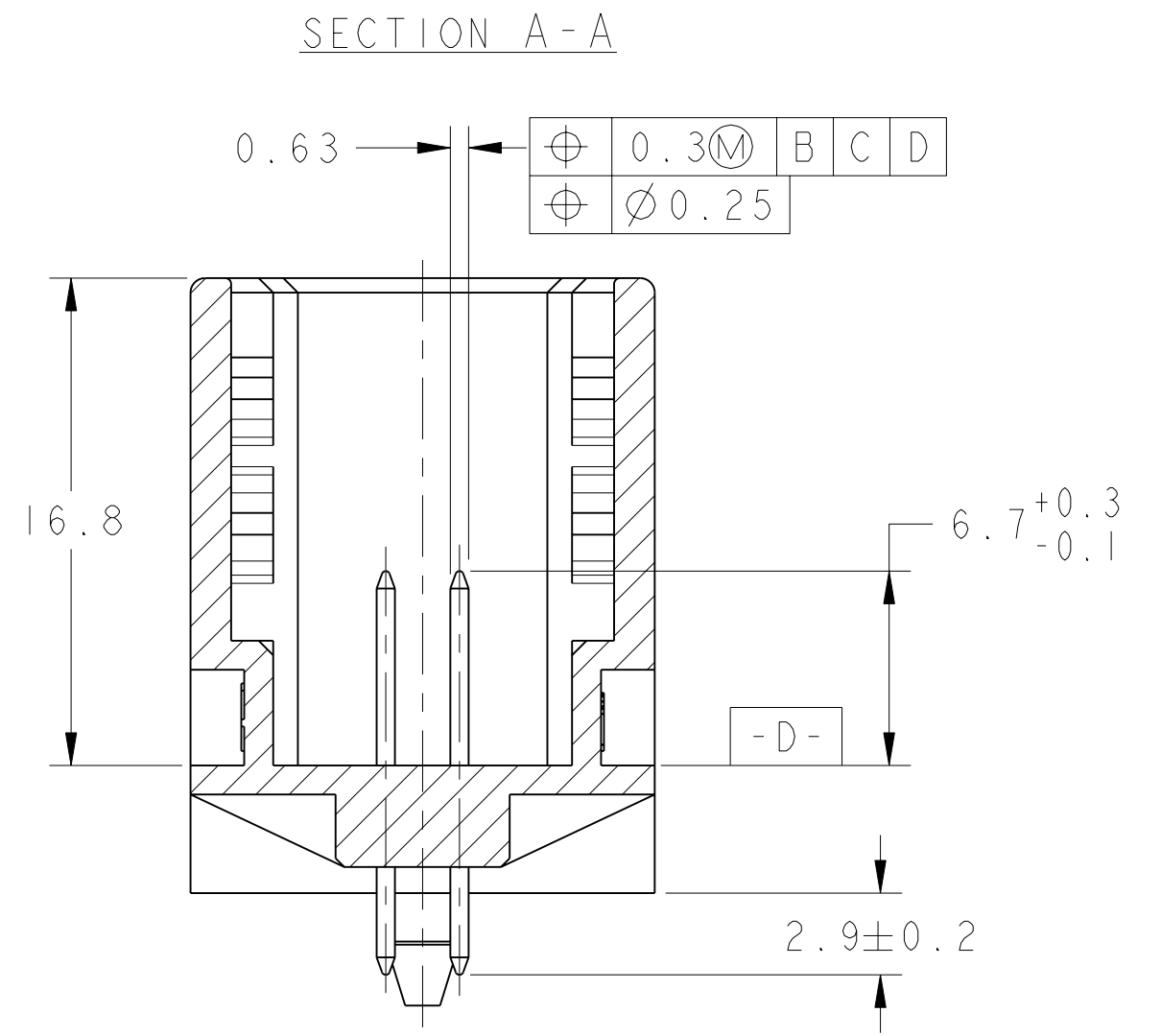
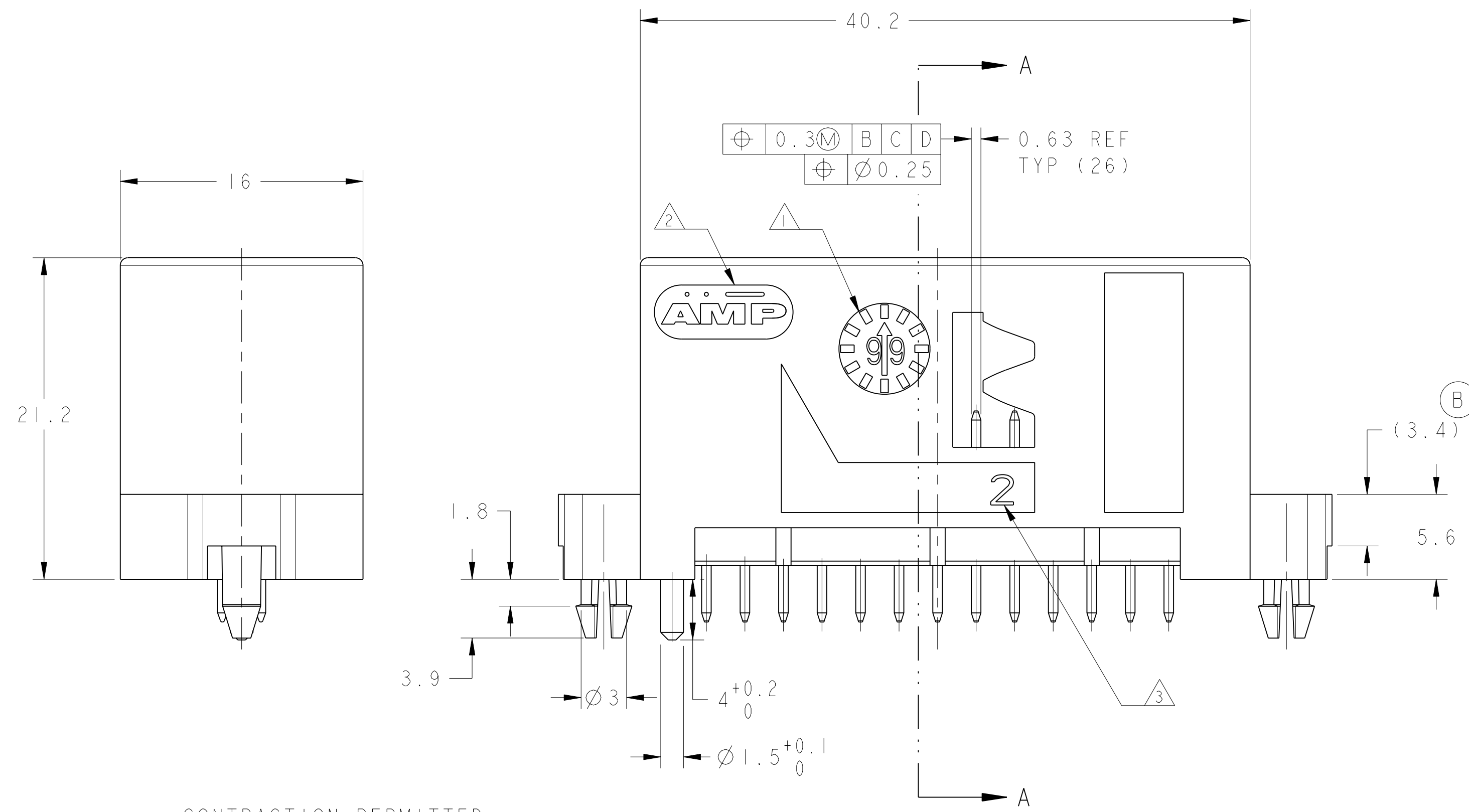


LOC		DIST		REVISIONS			
F	7	P	REV	DESCRIPTION MODIFICATIONS	DATE	DWN BESS	APP APP
		A		AJOUT DES NVLES REFERENCES: 1-953472-1/2	20-JAN-03	NT.T	J.L
		B		EPAISSIR COLERETTE (COTE 3.4)	10-FEB-03	NT.T	J.L
		C		LEAD REMOVED	04FEB2008	M.V	J.L
		D		AJOUT NOUVELLE VERSION SUR FEUILLE 2/2	18AUG2009	AD	JL

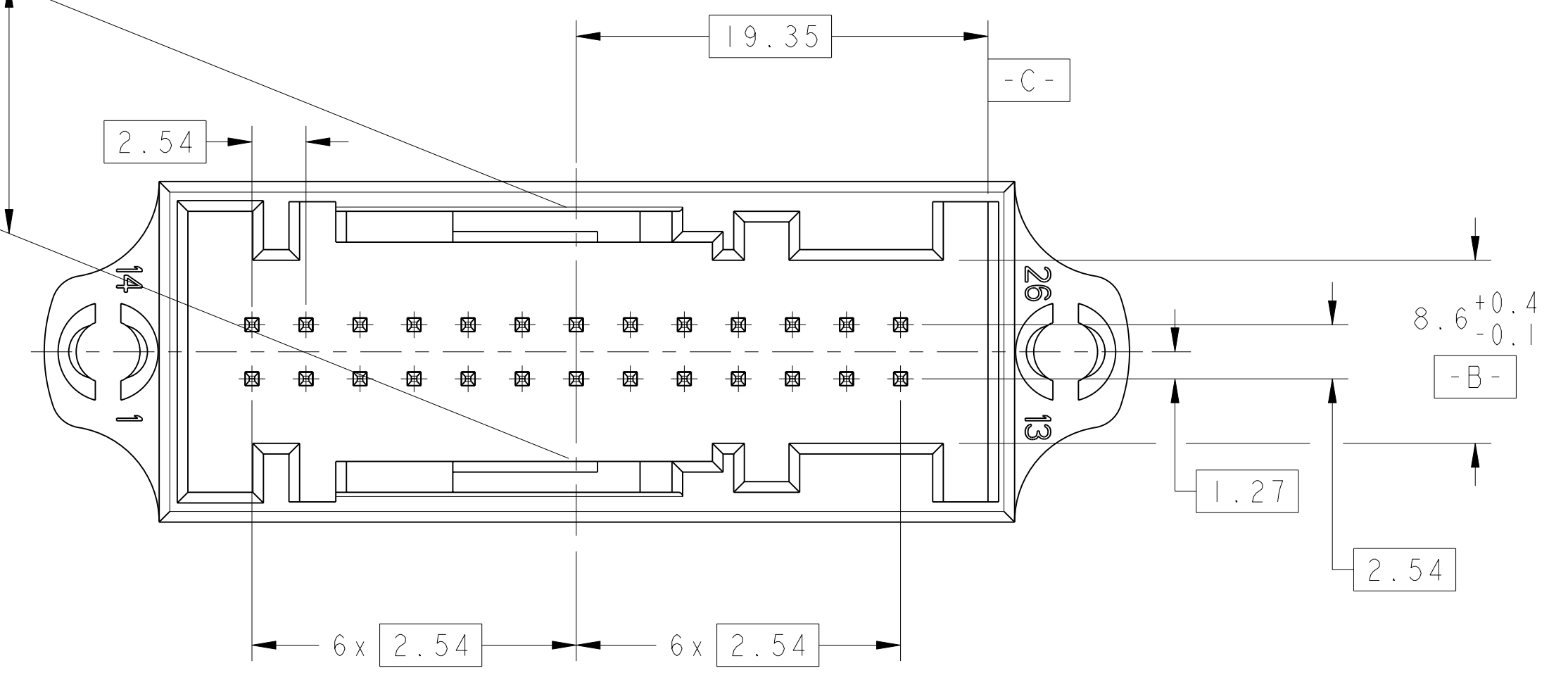


	POST-TINNED SELECTIVE (POST-ETAME SELECTIF)	1-953472-2	BLUE (BLEU)	 22, 23, 1.27, 18.5, 2.54, 2.54, 1.8, 3.1, 0.8, 26
	POST-TINNED NO SELECTIVE (POST-ETAME NON SELECTIF)	953472-2		
	POST-TIN SELECTIVE (POST-ETAME SELECTIF)	1-953472-1	YELLOW (JAUNE)	 2.54, 17.5, 22, 23, 1.27, 1.8, 3.1, 0.8, 26
	POST-TINNED NO SELECTIVE (POST-ETAME NON SELECTIF)	953472-1		
CODING (SCALE 2:1) (DETROMPAGE)	PIN FINISH (FINITION CONTACTS)	PN ASSY	COLOR (COULEUR)	RECOMMENDED PCB LAYOUT (SCALE 2:1) (RECOMMANDATION IMPLANTATION C1)



- NOTES:
- ① MOLDING DATE CODE DATE CODE MOULAGE
 - ② TYCOELECTRONICS STAMP LOGO TYCOELECTRONICS
 - ③ MOLD CAVITY MARKING N° EMPREINTE MOULE
 - ④ TYCO ELECTRONICS PART NUMBER REFERENCE TYCO ELECTRONICS
 - ⑤ MATERIAL REFERENCE REFERENCE MATIERE

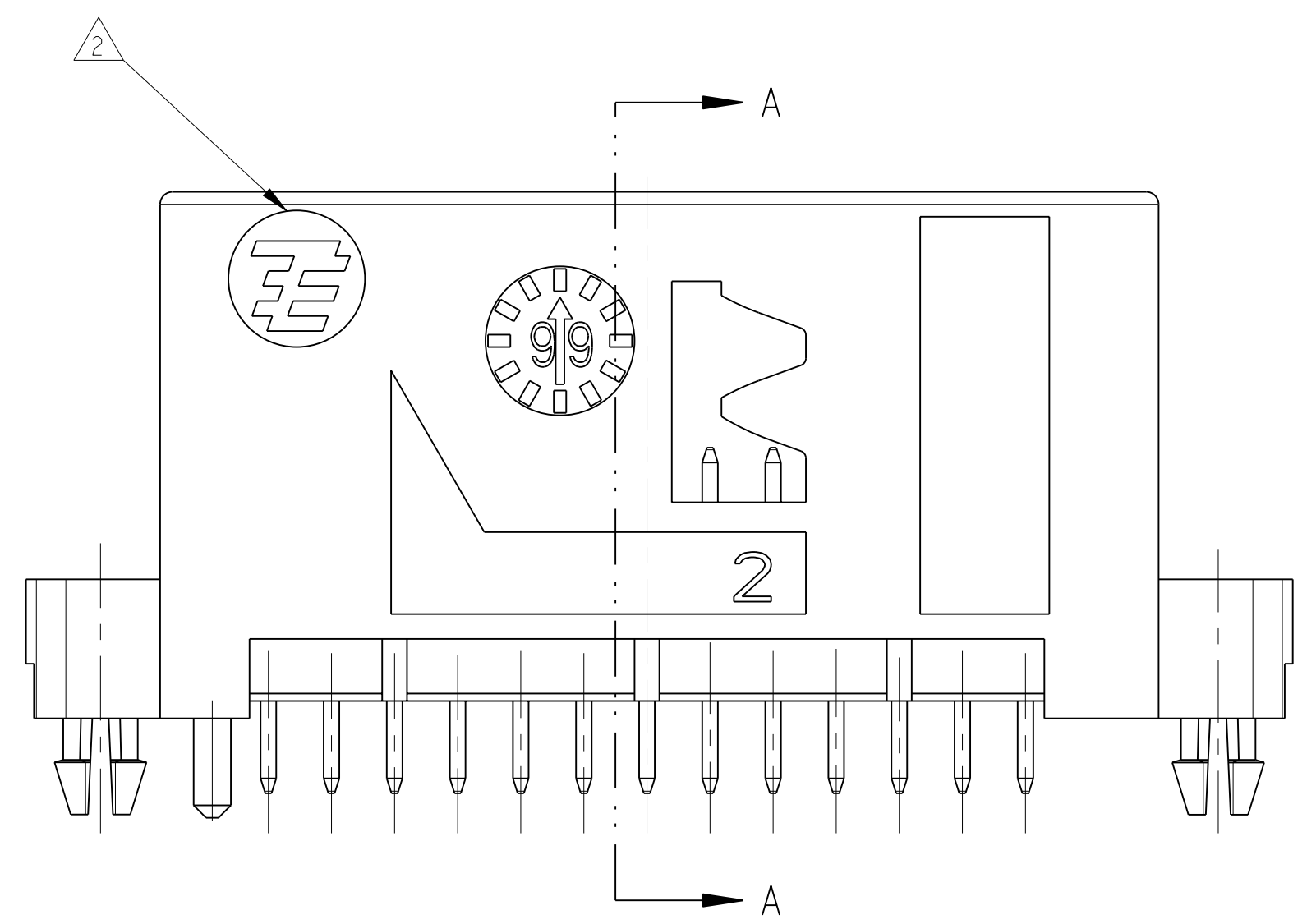
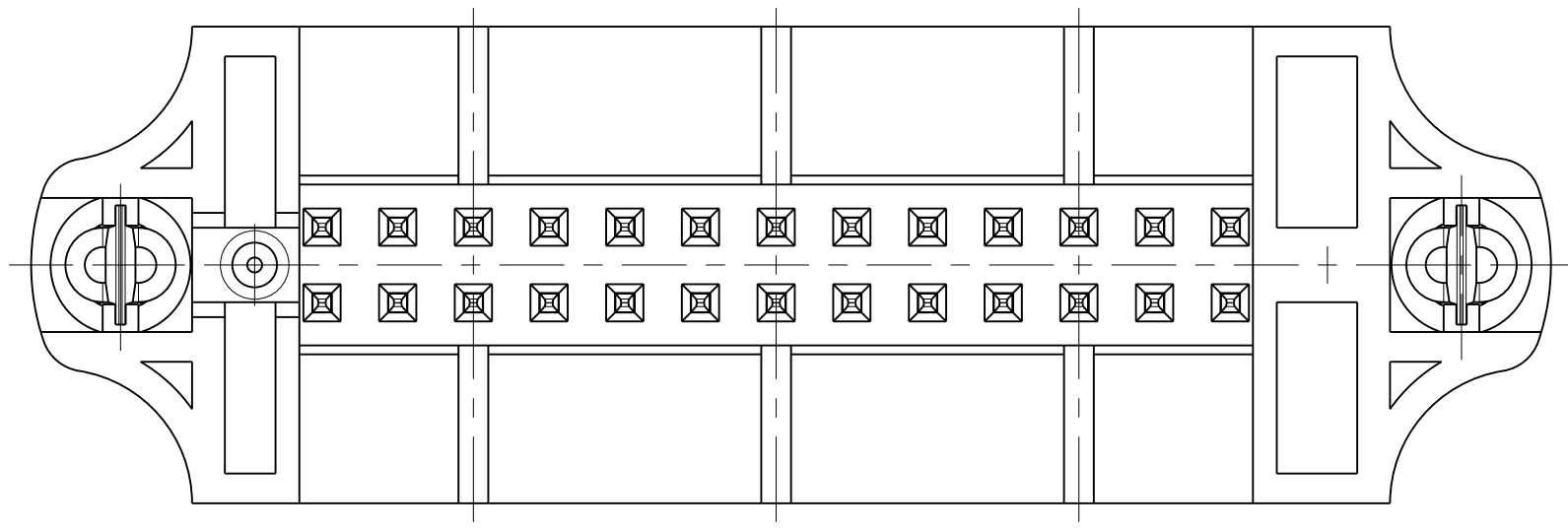
CONTRACTION PERMITTED
(RESSERREMENT ADMIS)
MAX 0.5 mm



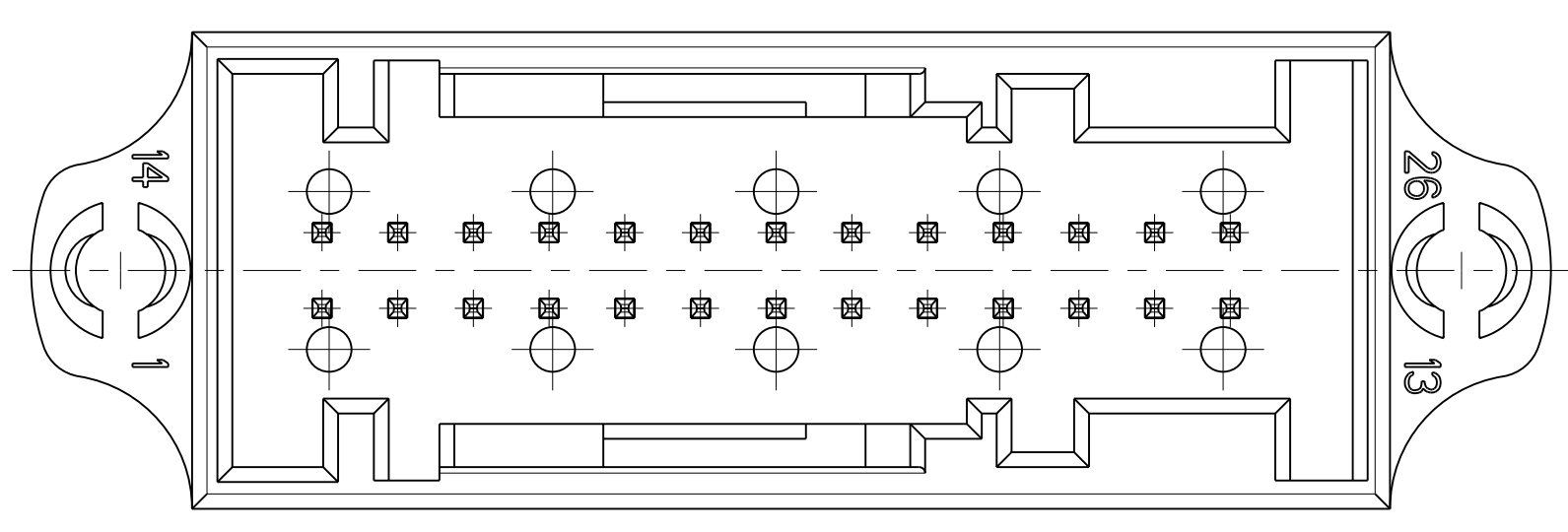
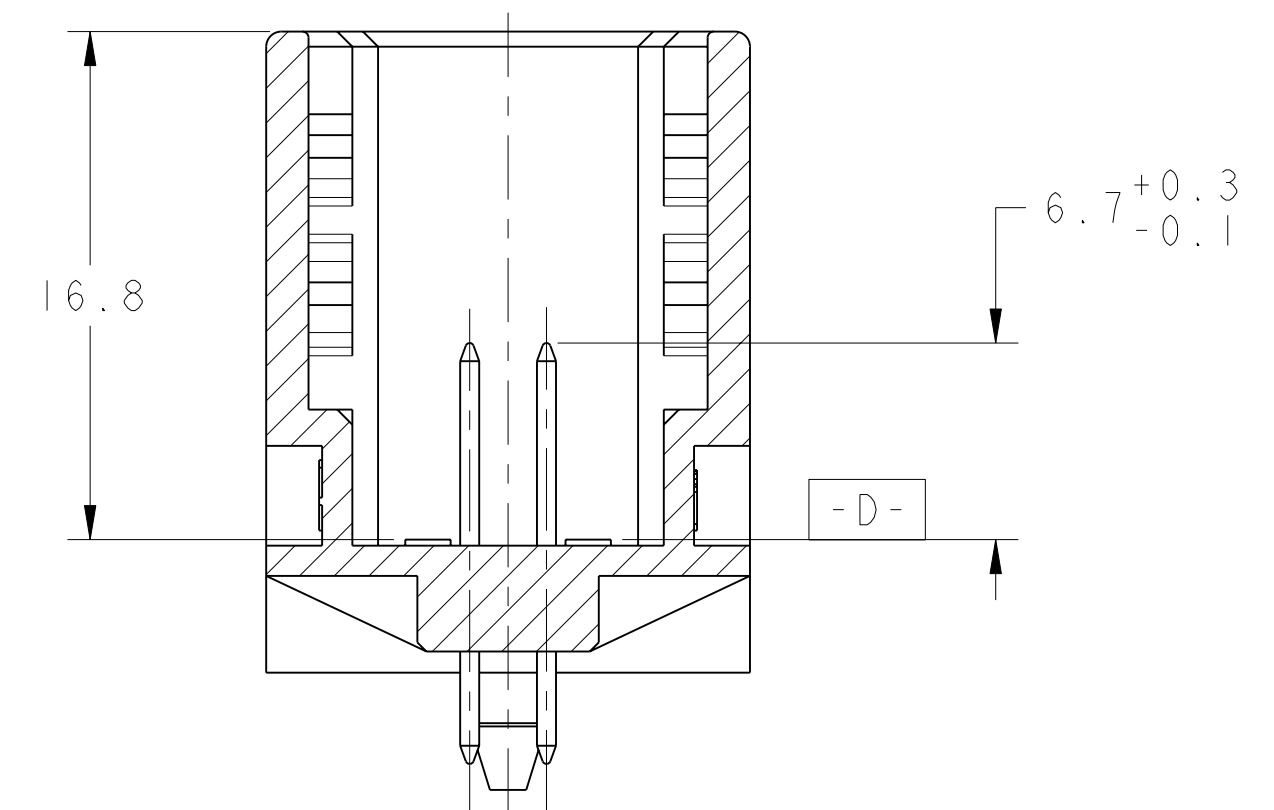
PCT 30% GLASS FIBER (PCT 30% FIBRE DE VERRE)	COPPER ALLOY (ALLIAGE CUIVRE)	TIN OVER NICKEL (ETAIN SUR SOUS COUCHE NICKEL)
HOUSING MATERIAL (MATIERE EMBASE)	PIN MATERIAL (MATIERE CONTACT)	PIN FINISH (FINITION CONTACT)
HEADER COMPLIANT WITH PSA INTERFACE SPECIFICATION C-PSACR95724 (EMBASE CONFORME AU PLAN D'INTERFACE C-PSACR95724)		
DWN/DESIGNE: S. DEBET CHK/VERIFIE: D. DURAND APVD/APPROUVE: J.J. REVILLI PRODUCT SPEC: 108-15215 APPLICATION SPEC: - MATERIAL/MATIERE: - FINISH/FINITION: -		Tyco Electronics France SAS 95300 Pontoise, France NAME: HEADER ASSY, 26 POSN, MOS, STRAIGHT WITH BOARD-LOCK EMBASE ASSEMBLEE, 26 POSITIONS, MOS, DROITE AVEC BOARD-LOCK WEIGHT: 7.5 g CUSTOMER DRAWING /PLAN CLIENT: - UNIFORMITY FOUR REFERENCE: - SCALE: 2:1 SHEET FEUILLE 1 OF 2

LOC	DIST	REVISIONS					
F	7	P	LTR	DESCRIPTION	DATE	DWN	APVD
-	-	-	-	SEE SHEET 1	-	-	-

OTHER DESIGN ACCEPTED AVAILABLE FOR ALL VERSIONS
 (AUTRES DESIGN ACCEPTES VALABLES POUR TOUTES LES VERSIONS)



SECTION A-A



FOR ALL OTHER DIMENSIONS AND SHAPES SEE SHEET 1/2
 (POUR LES AUTRES DIMENSIONS ET FORMES VOIR FEUILLE 1/2)

<small>THIS DRAWING IS UNPUBLISHED. RELEASED FOR PUBLICATION BY TYCO ELECTRONICS CORPORATION. ALL RIGHTS RESERVED.</small>		DWN: S. YBERT 17AUG09 CHK: J. LALANGE 17AUG09 APVD: J. REVILL 17AUG09	Tyco Electronics France SAS 95300 Pontoise, France
DIMENSIONS: mm 		TOLERANCES UNLESS OTHERWISE SPECIFIED: 0 PLC ± 1 PLC ±0.3 2 PLC ± 3 PLC ± 4 PLC ± ANGLES ±5° FINISH	NAME: HEADER ASSY, 26 POSN, MOS, STRAIGHT WITH BOARD-LOCK PRODUCT SPEC: 108-15215 APPLICATION SPEC: SIZE: CAGE CODE DRAWING NO. RESTRICTED TO: WEIGHT: 7.5 g CUSTOMER DRAWING
MATERIAL: - FINISH: -		SCALE: 4:1 SHEET: 2 OF 2 REV: D	A100779C-953472