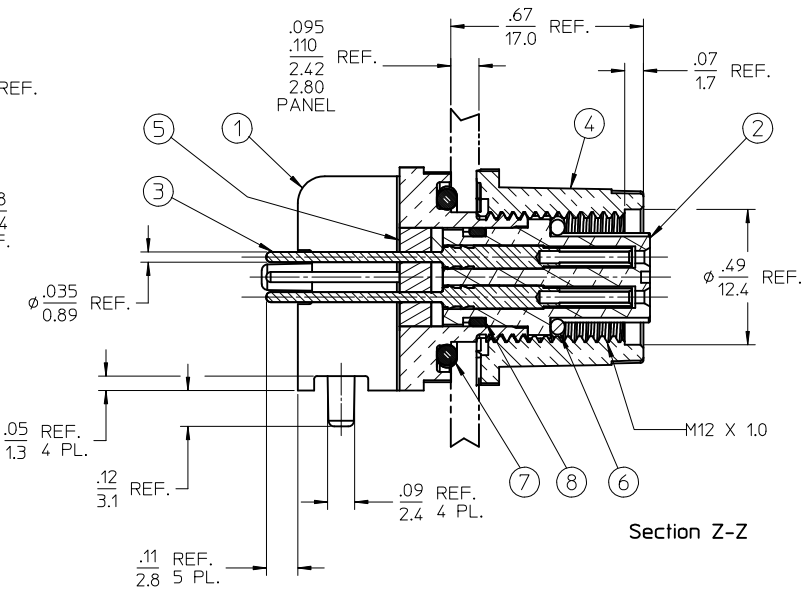
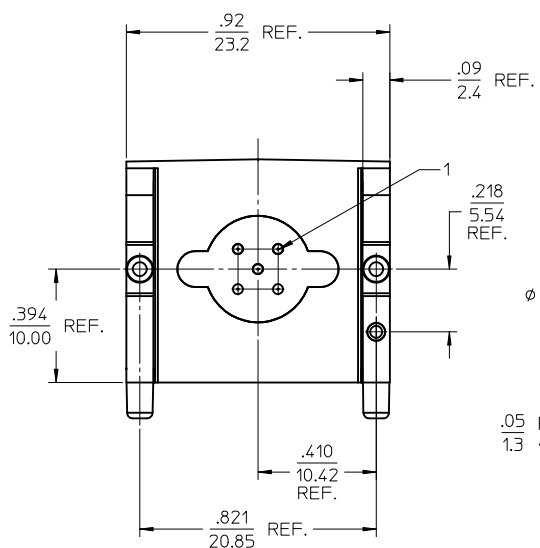
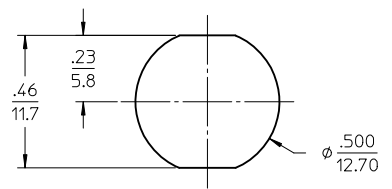
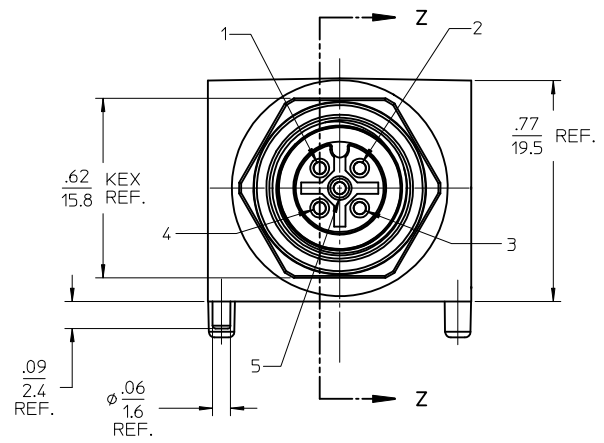


5C PCB HOLE LAYOUT
(COMPONENT SIDE)



Section Z-Z



MOUNTING HOLE LAYOUT

- NOTES:
1. MATERIAL: SEE TABLE
 2. FINISHES: SEE TABLE
 3. PRODUCT SPEC: PS-130299-001
 4. PACKAGING: PK-130299-001
 5. MATES WITH: MALE A-CODE CABLE ASSEMBLY
 6. ELECTRICAL SPECS:
VOLTAGE: 250V AC/DC
CURRENT: 4 AMPS
 7. PROTECTION: IP67
 8. ASSEMBLY IS RoHS COMPLIANT

ITEM	QTY.	DESCRIPTION	MATERIAL	FINISH
8	1	INSULATOR O-RING	VITON	BROWN
7	1	PANEL O-RING	VITON	RED
6	1	MATING O-RING	VITON	RED
5	A/R	POTTING COMPOUND	EPOXY	RED
4	1	PANEL NUT	ZINC (DIE-CAST)	CHROME/DUPLEX NICKEL
3	4	CONTACT SOCKET, STRAIGHT	BRASS	GOLD PLATED
2	1	5/C A-CODE INSULATOR	PUR	BLACK
1	1	RECEPTACLE SHELL, M12	ZINC (DIE-CAST)	WHITE BRONZE PLATING

REMOVED CUST SIGN-OFF	EC NO: WNA2011-0198	2010/10/15
	DRWRNSTONE	2010/10/15
	CHKDK: JOZWIK	2010/10/21
	APPR: JF MURPHY	2010/12/14
REV	DESCRIPTION	

QUALITY SYMBOLS	GENERAL TOLERANCES (UNLESS SPECIFIED)
▽=0	mm INCH
▽=0	4 PLACES ± --- ± ---
	3 PLACES ± --- ± .005
	2 PLACES ± .13 ± .010
	1 PLACE ± .3 ± ---
	ANGULAR ± 2 °
	DRAFT WHERE APPLICABLE MUST REMAIN WITHIN DIMENSIONS

DIMENSION STYLE		SCALE	DESIGN UNITS	THIRD ANGLE PROJECTION
IN/MM		3:1	INCH	
DRAWN BY	DATE	TITLE		
RSTONE	2010/05/17	MIC PCB RECEPTACLE		
CHECKED BY	DATE	5C, A-CODE, STRAIGHT		
K. JOZWIK	2010/05/25			
APPROVED BY	DATE			
JF MURPHY	2010/05/20			
MATERIAL NO.	DOCUMENT NO.			
SEE CHART	SD-130299-008			
SIZE	THIS DRAWING CONTAINS INFORMATION THAT IS PROPRIETARY TO MOLEX INCORPORATED AND SHOULD NOT BE USED WITHOUT WRITTEN PERMISSION			

MOLEX INCORPORATED		SHEET NO.
		1 OF 1