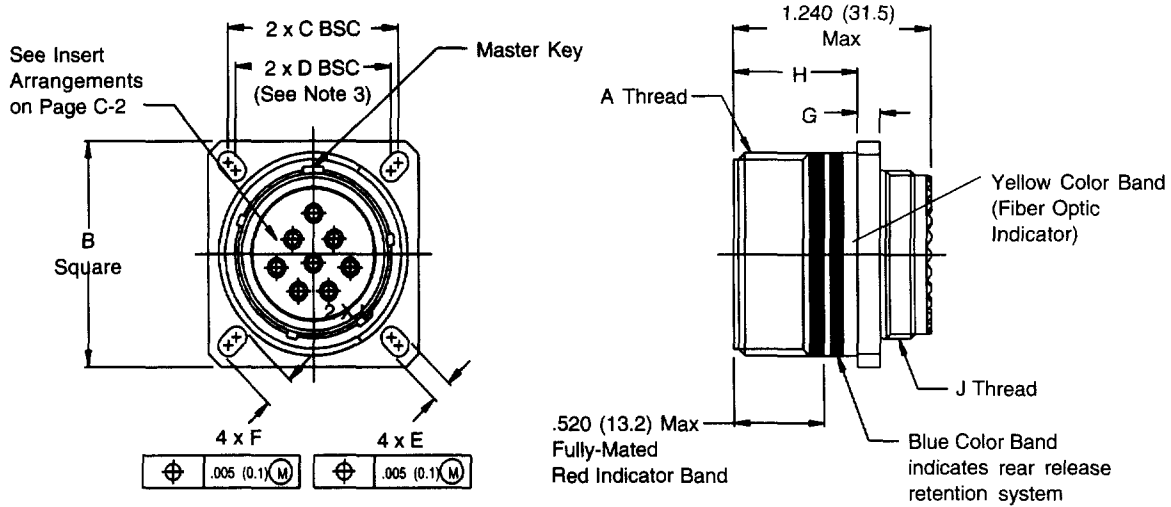


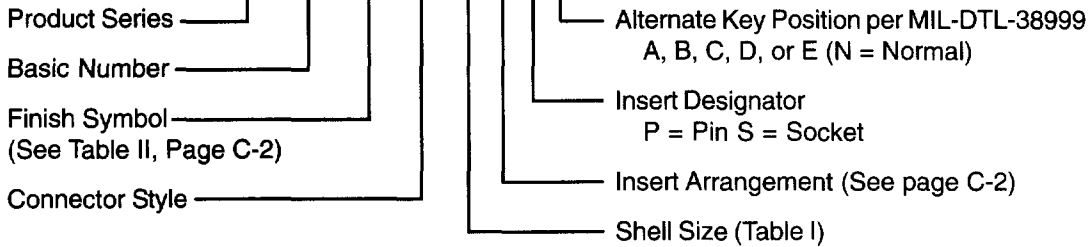
**MIL-DTL-38999 Style Fiber Optic Connector**  
**For use with MIL-T-29504/4 & /5 Termini**  
**S7 Wall-Mounted Receptacle with Slotted Holes**



Fiber Optic Connectors



**180-060 XW S7-17-8 S N**



**TABLE I: SHELL SIZE**

| Shell Size Code | Shell Size | A Thread             | B SQ                         | C BSC        | D BSC        | E                        | F                        | G                          | H                          | J Thread            | K                        | L                 |
|-----------------|------------|----------------------|------------------------------|--------------|--------------|--------------------------|--------------------------|----------------------------|----------------------------|---------------------|--------------------------|-------------------|
| B               | 11         | .7500-.1P-.3L-TS-2A  | 1.043 (26.5)<br>1.019 (25.9) | .812 (20.6)  | .719 (18.3)  | .136 (3.5)<br>.120 (3.0) | .202 (5.1)<br>.186 (4.7) | .144 (3.7)<br>.083 (2.1)   | .823 (20.9)<br>.768 (19.5) | M15 x 1.0-6g 0.100R | .136 (3.5)<br>.120 (3.0) | .112-40<br>UNC-2B |
| C               | 13         | .8750-.1P-.3L-TS-2A  | 1.138 (28.9)<br>1.114 (28.3) | .906 (23.0)  | .812 (20.6)  | .136 (3.5)<br>.120 (3.0) | .202 (5.1)<br>.186 (4.7) | .144 (3.7)<br>.083 (2.1)   | .823 (20.9)<br>.768 (19.5) | M18 x 1.0-6g 0.100R | .136 (3.5)<br>.120 (3.0) | .112-40<br>UNC-2B |
| D               | 15         | 1.0000-.1P-.3L-TS-2A | 1.232 (31.3)<br>1.208 (30.7) | .969 (24.6)  | .906 (23.0)  | .136 (3.5)<br>.120 (3.0) | .202 (5.1)<br>.186 (4.7) | .144 (3.7)<br>.083 (2.1)   | .823 (20.9)<br>.768 (19.5) | M22 x 1.0-6g 0.100R | .136 (3.5)<br>.120 (3.0) | .112-40<br>UNC-2B |
| E               | 17         | 1.1875-.1P-.3L-TS-2A | 1.323 (33.6)<br>1.299 (33.0) | 1.062 (27.0) | .969 (24.6)  | .136 (3.5)<br>.120 (3.0) | .202 (5.1)<br>.186 (4.7) | .144 (3.7)<br>.083 (2.1)   | .823 (20.9)<br>.768 (19.5) | M25 x 1.0-6g 0.100R | .136 (3.5)<br>.120 (3.0) | .112-40<br>UNC-2B |
| F               | 19         | 1.2500-.1P-.3L-TS-2A | 1.449 (36.8)<br>1.425 (36.2) | 1.156 (29.4) | 1.062 (27.0) | .136 (3.5)<br>.120 (3.0) | .202 (5.1)<br>.186 (4.7) | .144 (3.7)<br>.083 (2.1)   | .823 (20.9)<br>.768 (19.5) | M28 x 1.0-6g 0.100R | .136 (3.5)<br>.120 (3.0) | .112-40<br>UNC-2B |
| G               | 21         | 1.3750-.1P-.3L-TS-2A | 1.575 (40.0)<br>1.551 (39.4) | 1.250 (31.8) | 1.156 (29.4) | .136 (3.5)<br>.120 (3.0) | .202 (5.1)<br>.186 (4.7) | .171 (65.2)<br>.083 (39.8) | .791 (20.0)<br>.736 (18.7) | M31 x 1.0-6g 0.100R | .136 (3.5)<br>.120 (3.0) | .112-40<br>UNC-2B |
| H               | 23         | 1.5000-.1P-.3L-TS-2A | 1.701 (43.2)<br>1.677 (42.6) | 1.375 (34.9) | 1.250 (31.8) | .162 (4.1)<br>.146 (3.7) | .250 (6.4)<br>.234 (5.9) | .171 (65.2)<br>.083 (39.8) | .791 (20.0)<br>.736 (18.7) | M34 x 1.0-6g 0.100R | .162 (4.1)<br>.146 (3.7) | .138-32<br>UNC-2B |
| J               | 25         | 1.6250-.1P-.3L-TS-2A | 1.823 (46.3)<br>1.799 (45.7) | 1.500 (38.1) | 1.375 (34.9) | .162 (4.1)<br>.146 (3.7) | .250 (6.4)<br>.234 (5.9) | .171 (68.4)<br>.083 (68.1) | .791 (20.0)<br>.736 (18.7) | M37 x 1.0-6g 0.100R | .162 (4.1)<br>.146 (3.7) | .138-32<br>UNC-2B |

**NOTES:**

1. Metric dimensions (mm) are in parentheses and are for reference only.
2. See Page C-2 for Panel Cut-Out Dimensions
3. Front Panel Mount Only