

Interactive Catalog Supplements Catalog PDFs

If you need detailed product information, or help choosing the right product for your application, see our **Interactive Catalog**. Use the **Interactive Catalog** to access the most complete and up-to-date information available.

The **Interactive Catalog** provides an extensive collection of product specifications, application data, and technical literature that can be searched based on criteria you select.

This PDF catalog information was published in November 2000.



Sensing and Control
**Interactive
Catalog...**

**Click this icon to try
the Interactive Catalog.**

Sensing and Control

Honeywell Inc.

11 West Spring Street

Freeport, IL 61032

Manual Switches

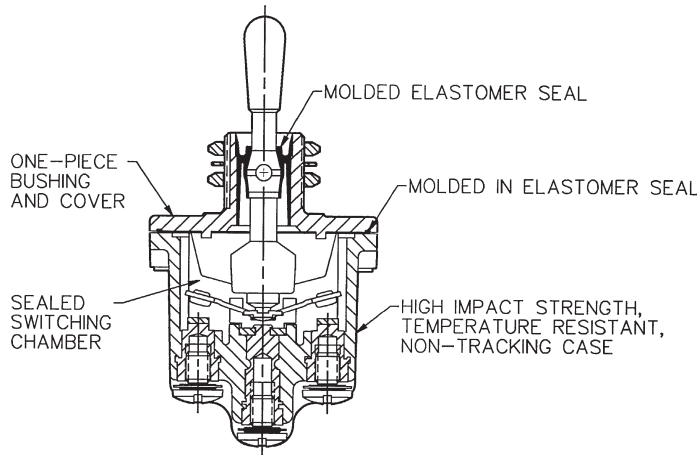
Sealed Toggle Switches



FEATURES

- Completely sealed switching chamber
- Step-design case provides added space between terminals to help prevent shorting
- 1, 2 or 4-pole circuitry
- Standard and pull to unlock levers.
- 2 or 3 positions, maintained and momentary action
- Spring-loaded actuating mechanism provides excellent tactile feedback
- High impact strength, non-tracking case enhances electrical stability
- Temperature range: -40 to 71°C (-40 to 160°F)
- UL recognized, File E12252, Vol. 1, Section 44
- CSA certified, File LR4442
- CE approved

CONSTRUCTION



GENERAL INFORMATION

MICRO SWITCH NT Series toggle switches meet severe environment application needs for a rugged, cost-effective toggle switch. Quality construction features include a molded-in elastomer seal between the toggle lever and bushing, and between the cover and case. In addition, the terminal inserts are molded into the high impact strength thermoplastic case.

Complete sealing of the switching chamber enables NT toggles to comply with UL 508, paragraph 13.3 hosedown test. These switches can be used where panels are subjected to periodic splash and washdowns, such as are common to food and beverage equipment. They will also withstand exposure to heavy accumulations of early morning dew that may condense on the control panel in cabs of vehicles left outdoors overnight.

PULL-TO-UNLOCK LEVERS

Pull-to-unlock toggle levers prevent accidental toggle movement. The knobbed toggle lever must be pulled out approximately .09 in. (2,3 mm) to change positions. Thirteen different locking configurations are available. This lever style also has a non-glare matte nickel finish.

UL AND CSA ELECTRICAL RATINGS

| Rating Code* | Electrical Rating |
|--------------|--|
| L192 | 10 amps, 125, 250, 277 VAC; ¼ Hp, 125 VAC; ½ Hp, 250, 277 VAC; 3 amps, 125 VAC "L" |
| L191 | 15 amps, 125, 250, 277 VAC; ½ Hp, 125 VAC; 1 Hp, 250, 277 VAC; 5 amps, 125 VAC "L" |

* Referred to in order guides.

ELECTRICAL RATINGS

In Amperes

| Elect. Rating Code | 28 Volts DC | | | 115 VDC | 250 VDC | 115 Volts AC 60 & 400 Hz | | | 230 VAC |
|--------------------|-------------|------|------|---------|---------|--------------------------|------|------|---------|
| | Ind. | Res. | Lamp | Res. | Res. | Ind. | Res. | Lamp | Res. |
| 1 | 12 | 20 | 5 | 0.75 | 0.5 | 10 | 15 | 3 | 6 |
| 2 | 10 | 15 | 4 | 0.75 | 0.5 | 7 | 15 | 2 | 6 |
| 3 | 15 | 20 | 7 | 0.75 | 0.5 | 15 | 15 | 4 | 6 |
| 4 | 10 | 18 | 5 | 0.75 | 0.5 | 8 | 11 | 2 | 6 |
| 5 | 12 | 20 | 5 | 0.75 | 0.5 | 15 | 15 | 4 | 6 |
| 6 | 10 | 18 | 4 | 0.75 | 0.5 | 8 | 11 | 2 | 6 |

Application Note: Honeywell MICRO SWITCH does *not* recommend the use of silver cadmium oxide switch contacts in non-arcing loads. Non-arcing loads are generally loads less than 12 volts and/or 0.5 amp. NT switches use silver cadmium oxide contacts. For other options, contact the MICRO SWITCH Application Center at 1-800-537-6945.

Manual Switches

Sealed Toggle Switches

NT Series

NT 2-POSITION ORDER GUIDE

| No. of Poles | Circuits Made With Toggle At: | | | Elect. Rating Code | Standard Lever Termination Style | | | Pull-To-Unlock Lever (Add suffix to Standard Lever Listing) | |
|--------------|-------------------------------|----------------------|----------------------|--------------------|----------------------------------|-------------------|---------|---|---------|
| | Keyway Position | Opposite Keyway | UL Rating Code | | Screw | Termination Style | | | |
| | | | | | | Solder | Q-C | | |
| 1 | OFF | 2-3 | L191 | 1 | 1NT1-2 | 11NT1-2 | 1NT91-2 | D, F, G | |
| | 1-2 | 2-3 | L191 | 1 | 1NT1-3 | 11NT1-3 | 1NT91-3 | D, F, G | |
| | OFF* | 2-3 | L192 | 2 | 1NT1-4 | 11NT1-4 | 1NT91-4 | F | |
| | 1-2* | OFF | L192 | 2 | 1NT1-6 | 11NT1-6 | 1NT91-6 | F | |
| | 1-2* | 2-3 | L192 | 2 | 1NT1-8 | 11NT1-8 | 1NT91-8 | F | |
| | 2 | OFF | 2-3, 5-6 | L191 | 3 | 2NT1-2 | 12NT1-2 | 2NT91-2 | D, F, G |
| 2 | 1-2, 4-5 | 2-3, 5-6 | L191 | 3 | 2NT1-3 | 12NT1-3 | 2NT91-3 | F | |
| | OFF* | 2-3, 5-6 | L192 | 4 | 2NT1-4 | 12NT1-4 | 2NT91-4 | F | |
| | 1-2, 4-5* | OFF | L192 | 4 | 2NT1-6 | 12NT1-6 | 2NT91-6 | D, F, G | |
| | 1-2, 4-5* | 2-3, 5-6 | L192 | 4 | 2NT1-8 | 12NT1-8 | 2NT91-8 | F | |
| | 4 | OFF | 2-3, 5-6, 8-9, 11-12 | L191 | 5 | 4NT1-2 | 14NT1-2 | 4NT91-2 | D, F, G |
| | 1-2, 4-5, 7-8, 10-11 | 2-3, 5-6, 8-9, 11-12 | L191 | 5 | 4NT1-3 | 14NT1-3 | 4NT91-3 | F | |
| 4 | OFF* | 2-3, 5-6, 8-9, 11-12 | L192 | 6 | 4NT1-4 | 14NT1-4 | 4NT91-4 | F | |
| | 1-2, 4-5, 7-8, 10-11* | OFF | L192 | 6 | 4NT1-6 | 14NT1-6 | 4NT91-6 | D, F, G | |
| | 1-2, 4-5, 7-8, 10-11* | 2-3, 5-6, 8-9, 11-12 | L192 | 6 | 4NT1-8 | 14NT1-8 | 4NT91-8 | F | |

NT 3-POSITION ORDER GUIDE

| No. of Poles | Circuits Made With Toggle At: | | | | Elect. Rating Code | Standard Lever Termination Style | | | Pull-To-Unlock Lever (Add suffix to Standard Lever Listing) | |
|-----------------------|-------------------------------|-----------------------|-----------------------|-----------------------|--------------------|----------------------------------|-------------------|----------|---|------------------|
| | Keyway Position | Center Position | Opposite Keyway | UL Rating Code | | Screw | Termination Style | | | |
| | | | | | | | Solder | Q-C | | |
| 1 | 1-2 | OFF | 2-3 | L191 | 1 | 1NT1-1 | 11NT1-1 | 1NT91-1 | ALL TYPES | |
| | 1-2* | OFF | 2-3 | L192 | 2 | 1NT1-5 | 11NT1-5 | 1NT91-5 | E, F, K, L, M, N | |
| | 1-2* | OFF | 2-3* | L192 | 2 | 1NT1-7 | 11NT1-7 | 1NT91-7 | E, L, N | |
| | NONE** | OFF | 2-3 | L191 | 1 | 1NT1-21 | 11NT1-21 | 1NT91-21 | E, F, K, M | |
| | NONE** | 1-2 | 2-3 | L191 | 1 | 1NT1-31 | 11NT1-31 | 1NT91-31 | E, F, K, M | |
| | NONE** | 1-2 | 2-3* | L192 | 2 | 1NT1-51 | 11NT1-51 | 1NT91-51 | E | |
| | 1-2* | OFF | NONE** | L192 | 2 | 1NT1-61 | 11NT1-61 | 1NT91-61 | E | |
| | 2 | 1-2, 4-5 | OFF | 2-3, 5-6 | L191 | 3 | 2NT1-1 | 12NT1-1 | 2NT91-1 | ALL TYPES |
| 2 | 1-2, 4-5* | OFF | 2-3, 5-6 | L192 | 4 | 2NT1-5 | 12NT1-5 | 2NT91-5 | E, F, K, L, M, N | |
| | 1-2, 4-5* | OFF | 2-3, 5-6* | L192 | 4 | 2NT1-7 | 12NT1-7 | 2NT91-7 | E, L, N | |
| | NONE* | OFF | 2-3, 5-6 | L191 | 3 | 2NT1-21 | 12NT1-21 | 2NT91-21 | E, F, K, M | |
| | NONE** | 1-2, 4-5 | 2-3, 5-6 | L191 | 3 | 2NT1-31 | 12NT1-31 | 2NT91-31 | E, F, K, M | |
| | NONE** | 1-2, 4-5 | 2-3, 5-6* | L192 | 4 | 2NT1-51 | 12NT1-51 | 2NT91-51 | E | |
| | 1-2, 4-5* | OFF | NONE** | L192 | 4 | 2NT1-61 | 12NT1-61 | 2NT91-61 | E | |
| | 1-2, 4-5 | 2-3, 4-5 | 2-3, 5-6 | L191 | 3 | 2NT1-12 | 12NT1-12 | 2NT91-12 | ALL TYPES | |
| | 1-2, 4-5 | 1-2, 5-6 | 2-3, 5-6 | L191 | 3 | 2NT1-10 | 12NT1-10 | 2NT91-10 | ALL TYPES | |
| | 1-2, 4-5* | 1-2, 5-6 | 2-3, 5-6 | L192 | 4 | 2NT1-50 | 12NT1-50 | 2NT91-50 | L, F, K, L, M, N | |
| | 1-2, 4-5* | 1-2, 5-6 | 2-3, 5-6* | L192 | 4 | 2NT1-70 | 12NT1-70 | 2NT91-70 | E, L, N | |
| | 4 | 1-2, 4-5, 7-8, 10-11 | OFF | 2-3, 5-6, 8-9, 11-12 | L191 | 5 | 4NT1-1 | 14NT1-1 | 4NT91-1 | ALL TYPES |
| | | 1-2, 4-5, 7-8, 10-11* | OFF | 2-3, 5-6, 8-9, 11-12 | L192 | 6 | 4NT1-5 | 14NT1-5 | 4NT91-5 | E, F, K, L, M, N |
| | | 1-2, 4-5, 7-8, 10-11* | OFF | 2-3, 5-6, 8-9, 11-12* | L192 | 6 | 4NT1-7 | 14NT1-7 | 4NT91-7 | E, L, N |
| | | NONE* | OFF | 2-3, 5-6, 8-9, 11-12 | L191 | 5 | 4NT1-21 | 14NT1-21 | 4NT91-21 | E, F, K, M |
| NONE** | | 1-2, 4-5, 7-8, 10-11 | 2-3, 5-6, 8-9, 11-12 | L191 | 5 | 4NT1-31 | 14NT1-31 | 4NT91-31 | E, F, K, M | |
| NONE** | | 1-2, 4-5, 7-8, 10-11 | 2-3, 5-6, 8-9, 11-12* | L192 | 6 | 4NT1-51 | 14NT1-51 | 4NT91-51 | E | |
| 1-2, 4-5, 7-8, 10-11* | | OFF | NONE** | L192 | 6 | 4NT1-61 | 14NT1-61 | 4NT91-61 | E | |
| 1-2, 4-5, 7-8, 10-11 | | 2-3, 4-5, 7-8, 11-12 | 2-3, 5-6, 8-9, 11-12 | L191 | 5 | 4NT1-12 | 14NT1-12 | 4NT91-12 | ALL TYPES | |
| 1-2, 4-5, 7-8, 10-11 | | 2-3, 4-5 | 2-3, 5-6 | L191 | 5 | 4NT1-10 | 14NT1-10 | 4NT91-10 | ALL TYPES | |
| 7-8, 10-11 | | 2-3, 4-5, 7-8, 11-12 | 2-3, 5-6, 8-9, 11-12 | L192 | 6 | 4NT1-50 | 14NT1-50 | 4NT91-50 | E, F, K, L, M, N | |
| 1-2, 4-5, 7-8, 10-11* | | 2-3, 4-5 | 2-3, 5-6, 8-9, 11-12* | L192 | 6 | 4NT1-70 | 14NT1-70 | 4NT91-70 | E, L, N | |

Toggle/Rockers

* These positions are momentary. All others are maintained.

** Toggle lever is blocked from these products. Toggle becomes 2-position, with center being one extreme position.

Manual Switches

Sealed Toggle Switches

NT Series

PULL-TO-UNLOCK OPTION

When ordering pull-to-unlock toggle listings, add the suffix letter shown in the chart below to the standard toggle listing and the MS number. For example, to or-

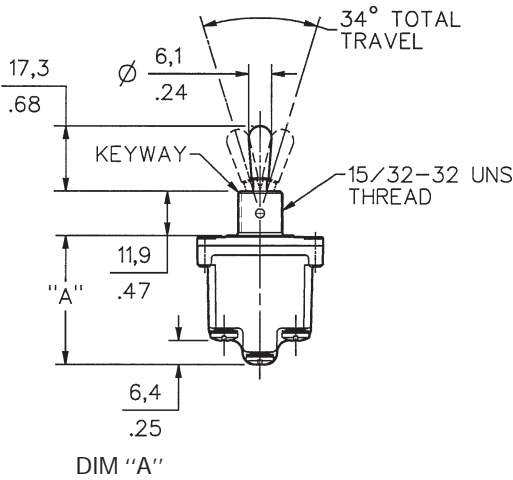
der a INTI-1 pull-to-unlock toggle switch with the lever locked in the center position, add the letter E; i.e., INTI-1E.

LOCKING CONFIGURATIONS

| | | | | | | |
|--|---|---|---|--|---|---|
|  Locked In Three Positions |  Locked In Center and Extreme Position (Keyway Side) |  Locked Out Of Center Position |  Locked In Center Position |  Locked In Extreme Position (Opposite Keyway) |  Locked In Extreme Position (Keyway Side) |  Locked Out Of Center And Extreme Position (Keyway Side) |
|  Locked Out Of Center And Extreme Position (Opposite Keyway) |  Locked In Center And Extreme Position (Opposite Keyway) |  Locked Out Of Extreme Position (Keyway Side) |  Locked Out Of And Into Extreme Position (Opposite Keyway) |  Locked Out Of Extreme Position (Opposite Keyway) |  Locked Out Of And Into Extreme Position (Keyway Side) | |

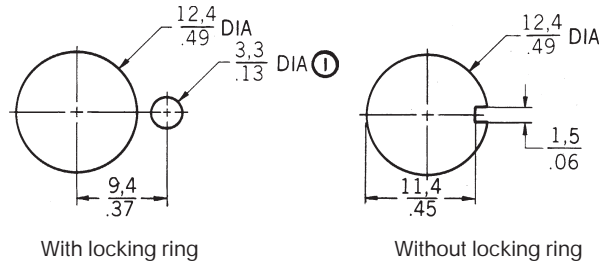
MOUNTING DIMENSIONS:

(For reference only)



Key: $\frac{0,0}{0.00} = \text{mm}$
 $\frac{0.00}{.00} = \text{inches}$

Panel cutout



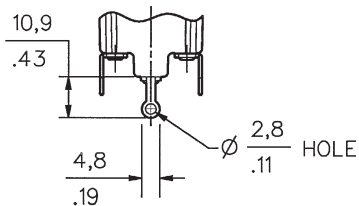
Note:
 Ⓢ 1.4/.06 MIN DEEP TO ACCOMMODATE LOCKING RING. 15PA87 PANEL SEAL REQUIRES BLIND HOLE TO INSURE SEAL INTEGRITY

| | |
|------------|-----------|
| 1-pole | 29,5/1.16 |
| 2 & 4-pole | 34,4/1.35 |

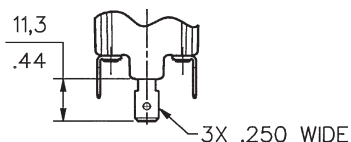
NOTES:

- Pull-to-unlock levers have 10,7/42 dia. knob
- Locking ring, lockwasher, 2 hexnuts and terminal screws are furnished unassembled.

Solder Terminals

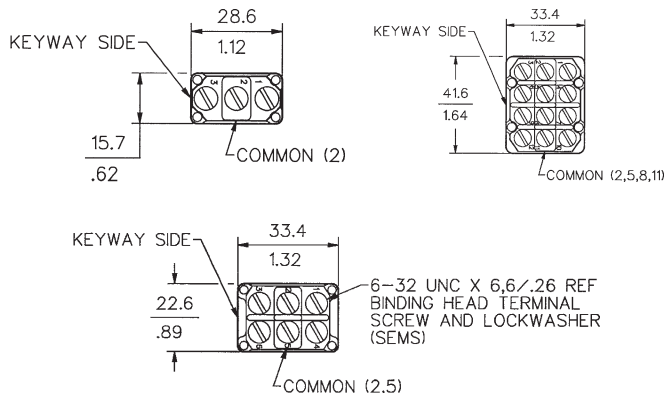


Quick Connect Terminals



Bushing mounting torque is 10-15 in./lbs.
 Terminal screw mounting torque is 5 in./lbs. max.

Terminal Circuit Identification



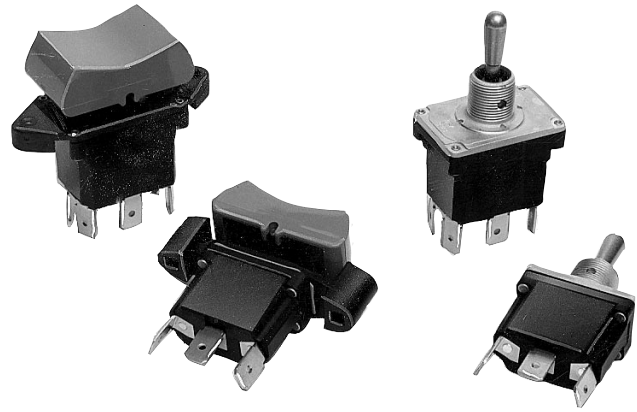
This page intentionally left blank.

Toggle/Rockers

Manual Switches

NT Series

Flat Base Sealed Toggles and Rockers



FEATURES

- Sealed switching chamber
- 1 or 2-pole circuitry
- 2 or 3 position maintained and momentary action
- Flat base with quick-connect terminals – mating connectors are available
- Spring-loaded actuating mechanism provides tactile feedback
- High impact strength, non-tracking case enhances electrical stability
- Temperature range: -40 to 71°C (-40 to 160°F)
- UL Recognized, File E12252, vol. 1, section 44
- CSA Certified, File LR4442
- CE approved

UL AND CSA ELECTRICAL RATINGS

| Rating Code* | Electrical Rating |
|--------------|--|
| L192 | 10 amps, 125, 250, 277 VAC; ¼ Hp, 125 VAC; ½ Hp, 250, 277 VAC; 3 amps, 125 VAC "L" |
| L191 | 15 amps, 125, 250, 277 VAC; ½ Hp, 125 VAC; 1 Hp, 250, 277 VAC; 5 amps, 125 VAC "L" |

GENERAL INFORMATION

MICRO SWITCH NT Series toggle switches are designed to meet severe environment application needs for rugged, cost-effective manual switches. These flat base style products are identical to the stepped base style in construction and features.

ELECTRICAL RATINGS

In Amperes

| Rating Code | 28 Volts DC | | | 115 VDC | 250 VDC | 115 Volts AC 60 & 400 Hz | | | 230 VAC |
|-------------|-------------|------|------|---------|---------|--------------------------|------|------|---------|
| | Ind. | Res. | Lamp | Res. | Res. | Ind. | Res. | Lamp | Res. |
| 1 | 12 | 20 | 5 | 0.75 | 0.5 | 10 | 15 | 3 | 6 |
| 2 | 10 | 15 | 4 | 0.75 | 0.5 | 7 | 15 | 2 | 6 |
| 3 | 15 | 20 | 7 | 0.75 | 0.5 | 15 | 15 | 4 | 6 |
| 4 | 10 | 18 | 5 | 0.75 | 0.5 | 8 | 11 | 2 | 6 |

The flat base allows for PC board or connector use for easy wiring/connection. The flat base NT toggle switches are provided with quick-connect (spade) termination. Mating connectors are available.

TERMINAL CIRCUIT IDENTIFICATION

Terminal identifications are referenced in the order guides to indicate which circuits are made in each toggle position (e.g. "1-2" refers to circuit closure through terminals 1 and 2).

Application Note: Honeywell MICRO SWITCH does *not* recommend the use of silver cadmium oxide switch contacts in non-arcing loads. Non-arcing loads are generally loads less than 12 volts and/or 0.5 amp. NT switches use silver cadmium oxide contacts. For other options, contact the MICRO SWITCH Application Center at 1-800-537-6945.

Manual Switches

Flat Base Sealed Toggles

NT 2-POSITION ORDER GUIDE

| No. of Poles | Circuits Made At: | | UL Rating Code | Electrical Rating Code | Catalog Listing Toggle Q-C |
|--------------|-------------------|-----------------|----------------|------------------------|----------------------------|
| | Keyway Position | Opposite Keyway | | | |
| 1 | OFF | 2-3 | L191 | 1 | 31NT91-2 |
| | 1-2 | 2-3 | L191 | 1 | 31NT91-3 |
| | OFF** | 2-3 | L192 | 2 | 31NT91-4 |
| | 1-2** | OFF | L192 | 2 | 31NT91-6 |
| | 1-2** | 2-3 | L192 | 2 | 31NT91-8 |
| 2 | OFF | 2-3, 5-6 | L191 | 3 | 32NT91-2 |
| | 1-2, 4-5 | 2-3, 5-6 | L191 | 3 | 32NT91-3 |
| | OFF** | 2-3, 4-6 | L192 | 4 | 32NT91-4 |
| | 1-2, 4-5** | OFF | L192 | 4 | 32NT91-6 |
| | 1-2, 4-5** | 2-3, 4-6 | L192 | 4 | 32NT91-8 |

NT 3-POSITION ORDER GUIDE







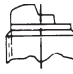


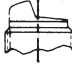



| No. of Poles | Circuits Made At: | | | UL Rating Code | Electrical Rating Code | Catalog Listing Toggle Q-C |
|--------------|-------------------|-----------------|-----------------|----------------|------------------------|----------------------------|
| | Keyway Position | Center Position | Opposite Keyway | | | |
| 1 | 1-2 | OFF | 2-3 | L191 | 1 | 31NT91-1 |
| | 1-2** | OFF | 2-3 | L192 | 2 | 31NT91-5 |
| | 1-2** | OFF | 2-3** | L192 | 2 | 31NT91-7 |
| | NONE*** | OFF | 2-3 | L191 | 1 | 31NT91-21 |
| | NONE*** | 1-2 | 2-3 | L191 | 1 | 31NT91-31 |
| | NONE*** | 1-2 | 2-3** | L192 | 2 | 31NT91-51 |
| | 1-2** | OFF | NONE*** | L192 | 2 | 31NT91-61 |
| 2 | 1-2, 4-5 | OFF | 2-3, 5-6 | L191 | 3 | 32NT91-1 |
| | 1-2, 4-5** | OFF | 2-3, 5-6 | L192 | 4 | 32NT91-5 |
| | 1-2, 4-5** | OFF | 2-3, 5-6** | L192 | 4 | 32NT91-7 |
| | NONE*** | OFF | 2-3, 5-6 | L191 | 3 | 32NT91-21 |
| | NONE*** | 1-2, 4-5 | 2-3, 5-6 | L191 | 3 | 32NT91-31 |
| | NONE*** | 1-2, 4-5 | 2-3, 5-6** | L192 | 4 | 32NT91-51 |
| | 1-2, 4-5** | OFF | NONE*** | L192 | 4 | 32NT91-61 |
| | 1-2, 4-5 | 2-3, 4-5 | 2-3, 5-6 | L191 | 3 | 32NT91-12 |
| | 1-2, 4-5 | 1-2, 5-6 | 2-3, 5-6 | L191 | 3 | 32NT91-10 |
| | 1-2, 4-5** | 1-2, 5-6 | 2-3, 5-6 | L192 | 4 | 32NT91-50 |
| | 1-2, 4-5** | 1-2, 5-6 | 2-3, 5-6** | L192 | 4 | 32NT91-70 |

** These positions are momentary. All others are maintained.
 *** Toggle lever is blocked from these positions. Toggle becomes 2-position, with center being one extreme position.

MATING CONNECTORS ORDER GUIDE

| Description | Catalog Listing |
|---|-----------------|
| 2-pole connector | 19PA168-NT |
| 1-pole connector, same package size as 2-pole connector | 19PA169-NT |

LOCKING CONFIGURATIONS

| | | | | | | |
|---|--|---|--|--|--|--|
| A  Locked In Three Positions | B  Locked In Center and Extreme Position (Keyway Side) | D  Locked Out Of Center Position | E  Locked In Center Position | F  Locked In Extreme Position (Opposite Keyway) | G  Locked In Extreme Position (Keyway Side) | H  Locked Out Of Center And Extreme Position (Keyway Side) |
| J  Locked Out Of Center And Extreme Position (Opposite Keyway) | K  Locked In Center And Extreme Position (Opposite Keyway) | L  Locked Out Of Extreme Position (Keyway Side) | M  Locked Out Of And Into Extreme Position (Opposite Keyway) | N  Locked Out Of Extreme Position (Opposite Keyway) | P  Locked Out Of And Into Extreme Position (Keyway Side) | |

Toggle/Rockers

This page intentionally left blank.

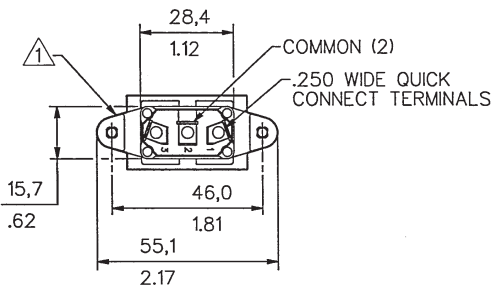
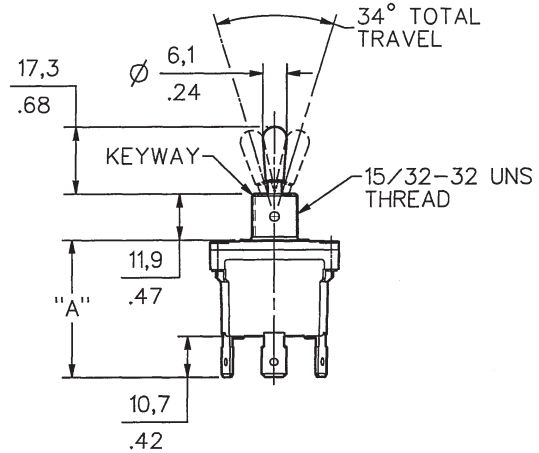
Manual Switches

NT Series

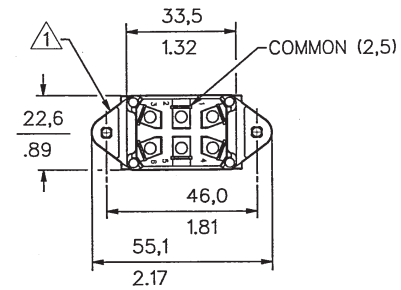
Flat Base Sealed Toggles and Rockers

MOUNTING DIMENSIONS (For reference only)

Toggle Switches



IDENTIFICATION LUG SIDE



IDENTIFICATION LUG SIDE

Bushing mounting torque is 10-15 in./lbs.

Toggle/Rockers