

0,635mm HIGH SPEED CABLE MICD, SQCD, 6QCD SERIES

SPECIFICATIONS

For complete specifications see www.samtec.com?MICD, see www.samtec.com?SQCD or see www.samtec.com?6QCD

Cable: 38 AWG Eye Speed™ coax micro ribbon
Signal Routing: 50Ω Single-Ended
Overall Length: (152mm) 6" to (1m) 40" standard
Cable Flexing Life: >40,000 cycles
Cable Bending Radius: <2,5mm
Plating: Au over 50μ" (1,27μm) Ni
Current Rating: 300 millamp max
Propagation Delay: 4.5 nsec/meter
Operating Temp Range: -25°C to +105°C
RoHS Compliant: Yes



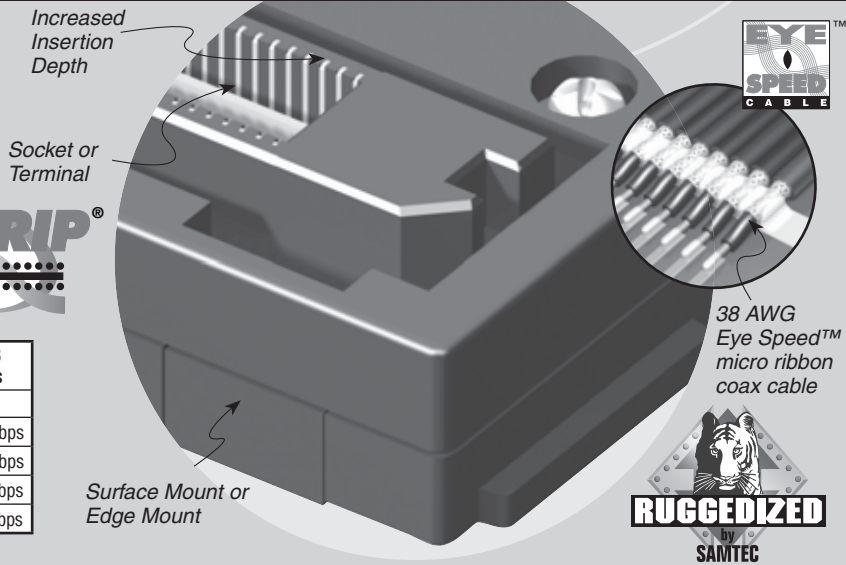
MICD Mates with: MIS, MIT

SQCD Mates with: QTS, QSS

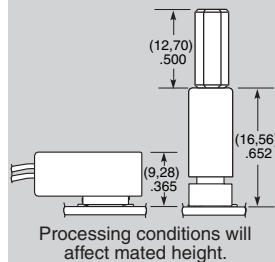
6QCD Mates with: QMS, QFS



Cable Length	Rated @ -3dB Insertion Loss	
	MICD	
6" (152,4mm)	1.64 GHz / 3.28 Gbps	
12" (304,8mm)	1.22 GHz / 2.44 Gbps	
19.68" (0,5m)	760 MHz / 1.52 Gbps	
39.37" (1m)	458 MHz / 916 Mbps	



APPLICATIONS



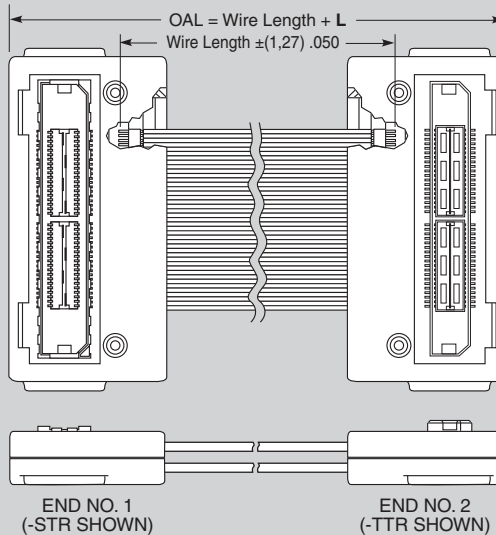
Note: Cable lengths longer than 40.00" (1 meter) are not supported with S.I. test data.

Note: Verify part number and correct wiring scheme with Samtec's Interactive Cable Builder at www.samtec.com/cable_builder/pitch.asp

Note: This Series is non-standard, non-returnable.

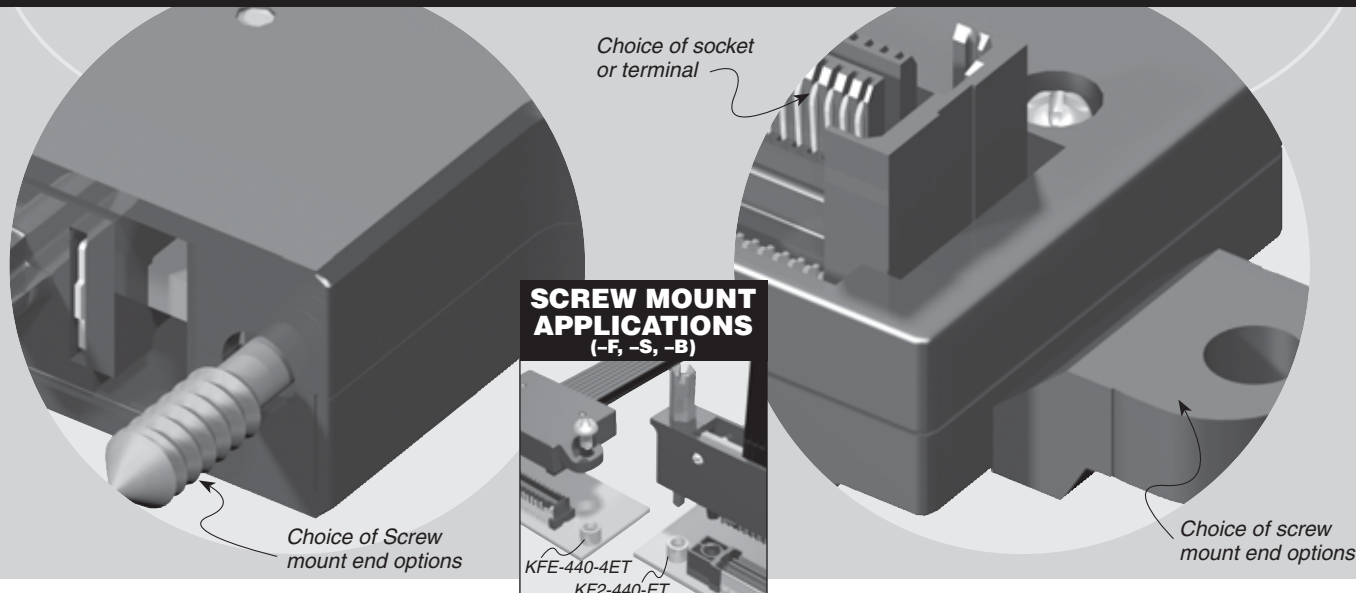
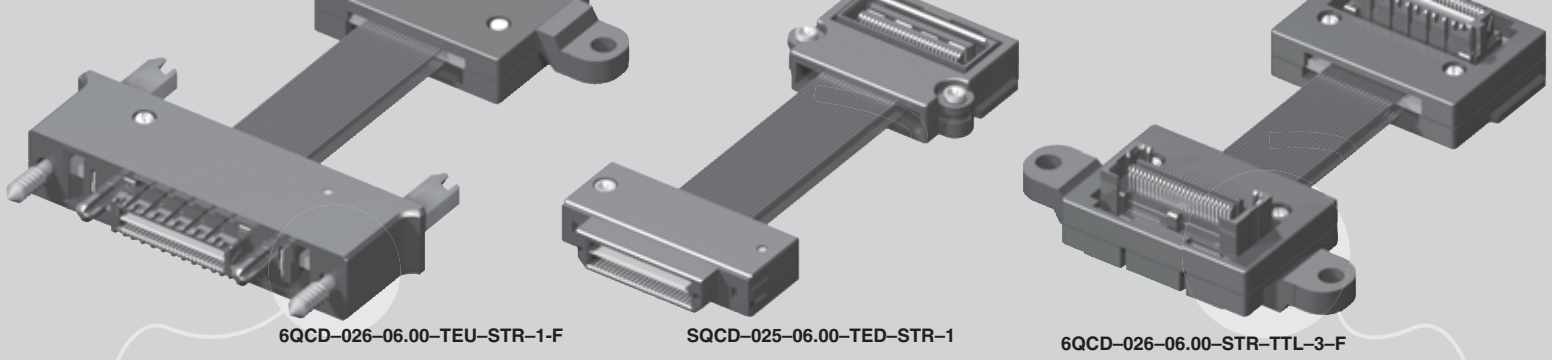
TYPE	NO. POSITIONS PER ROW	WIRE LENGTH
MICD = Mates with MIS/MIT	-019, -038, -057, -076 (MICD)	- "XX.XX" = Wire Length in Inches (95,3mm) 03.75" Minimum.
SQCD = Mates with QTS/QSS	-025, -050, -075, -100 (SQCD)	
6QCD = Mates with QMS/QFS	-026, -052, -078, -104 (6QCD)	

END TO END	L		
	MICD	SQCD	6QCD
Surface Mount to Surface Mount	(27,98) 1.101	(24,13) .950	(28,47) 1.121
Surface Mount to Edge Mount (Terminal)	(24,15) .951	(21,21) .835	(27,09) 1.067
Surface Mount to Edge Mount (Socket)	(23,51) .926	(20,48) .806	(25,70) 1.012
Edge Mount (Terminal) to Edge Mount (Terminal)	(20,32) .800	(18,29) .720	N/A
Edge Mount (Terminal) to Edge Mount (Socket)	(19,69) .775	(17,55) .691	N/A
Edge Mount (Socket) to Edge Mount (Socket)	(19,05) .750	(16,81) .662	N/A



Due to technical progress, all designs, specifications and components are subject to change without notice.

WWW.SAMTEC.COM



END NO. 1 **END NO. 2** **WIRING OPTION** **SCREW DOWN END OPTION**

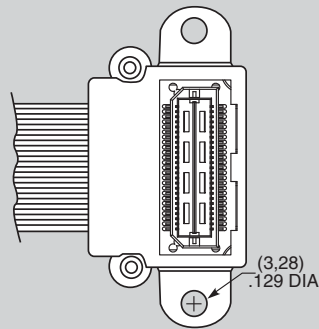
Specify END ASSEMBLIES from chart

- 1**
= Pin 1 to Pin 1
- 2**
= Pin 1 to Pin 2
- 3**
= Pin 1 to Second Last Pin
- 4**
= Pin 1 to Last Pin

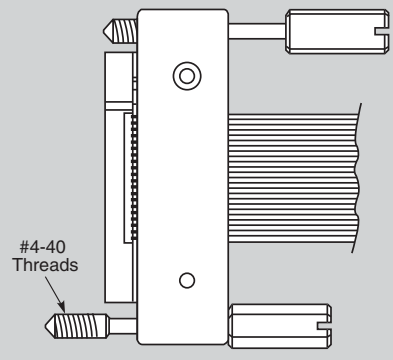
- Leave blank for no Screw Option
- F**
= End No. 1
 - S**
= End No. 2
 - B**
= Both Ends

END	SURFACE MOUNT
TTR	Terminal, Top, Notch Right
TTL	Terminal, Top, Notch Left
TBR	Terminal, Bottom, Notch Right
TBL	Terminal, Bottom, Notch Left
STR	Socket, Top, Notch Right
STL	Socket, Top, Notch Left
SBR	Socket, Bottom, Notch Right
SBL	Socket, Bottom, Notch Left

END	EDGE MOUNT
TEU	Terminal, Edge, Notch Up
TED	Terminal, Edge, Notch Down
SEU	Socket, Edge, Notch Up (N/A w/ 6QCD)
SED	Socket, Edge, Notch Down (N/A w/ 6QCD)



SURFACE MOUNT (-XTX & -XBX) SCREW DOWN OPTIONS



EDGE MOUNT (-XEX) SCREW DOWN OPTIONS

Due to technical progress, all designs, specifications and components are subject to change without notice.

WWW.SAMTEC.COM