

PRODUCT NUMBER

98464-X61-XXXLF

PLATING

S = 0.38µm GOLD/GXT ON CONTACT AREA
3.81µm TIN LEAD ON TAIL

G = 0.76µm GOLD/GXT ON CONTACT AREA
3.81µm TIN LEAD ON TAIL

F = GOLD FLASH ON CONTACT AREA
3.81µm TIN LEAD

T = 2.0-5.0µm TIN FULL PLATED

UNDERPLATING 1.27µm MIN FOR ANY PLATING.

WHEN REQUIRED, ADD SUFFIX LETTER "LF" INDICATES THE PRODUCT IS RoHS COMPATIBLE, SEE NOTE 8

PACKAGING OPTIONAL LETTER (SEE NOTE 5)

TOTAL NB OF POSITIONS, 04 TO 50

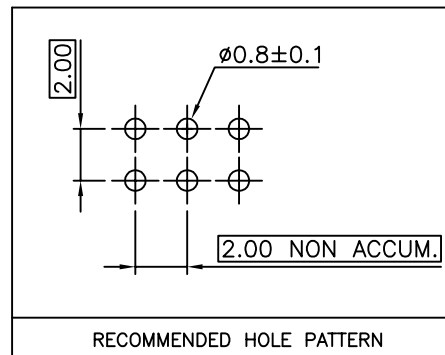
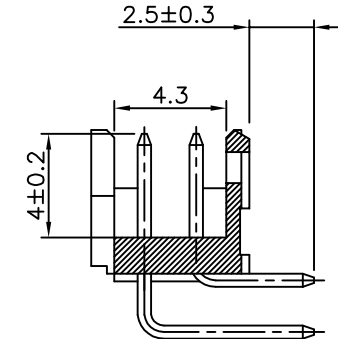
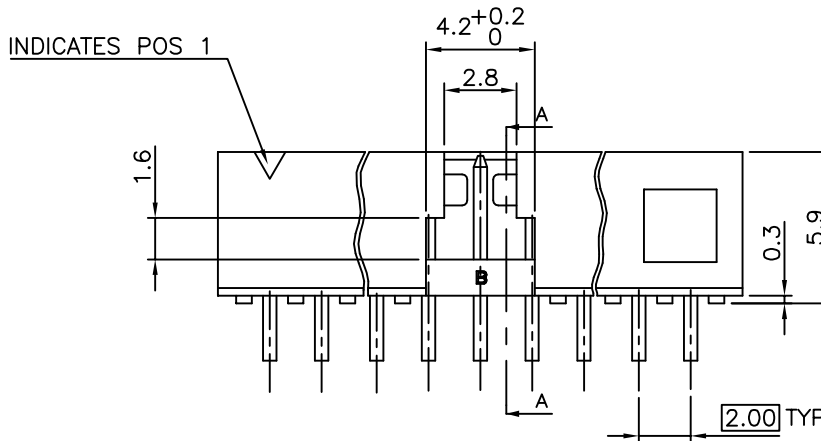
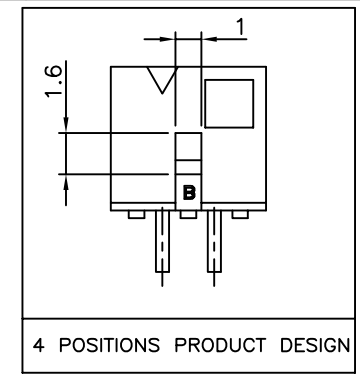
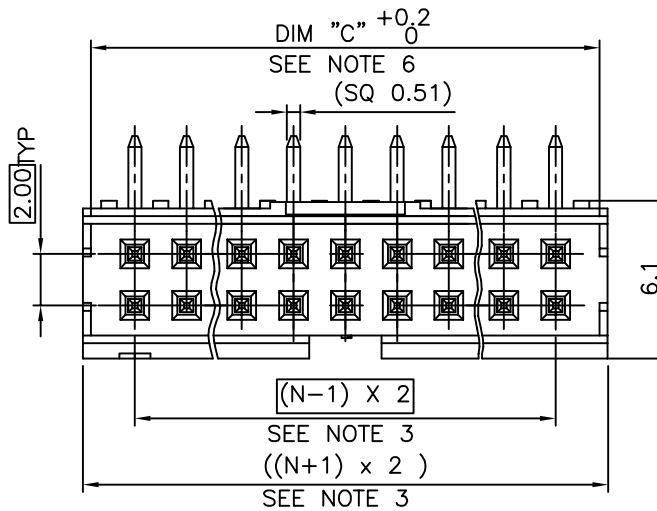
NOTES:

- MATERIAL HOUSING: HIGH TEMP. THERMOPLASTIC UL 94V-0, COLOR CREAM
- MATERIAL TERMINAL: COPPER ALLOY
- TO DETERMINE DIMENSIONS:
N = NUMBER OF POSITIONS PER ROW
- 7N MIN. PIN RETENTION IN EITHER DIRECTION.
- PACKAGING:
= PLASTIC BOX
- = PLASTIC BOX WHEN POLARISATION FEATURE APPLICABLE
U = TUBE AVAILABLE FROM 06 TO 50 POS

6. DIM "C" = (N x 2) + 1.4
EXAMPLE: N = 7
DIM "C" = (7 x 2) + 1.4 = 15.4 mm

8. RoHS COMPATIBLE PRODUCT SPECIFICATIONS

- PLATING:**
- "LF" MEANS THE PRODUCT IS LEAD-FREE, 2µm MINIMUM MATTE TIN OVER 1.27µm MINIMUM NICKEL UNDERPLATE.
- MANUFACTURING PROCESS COMPATIBILITY**
- THE HOUSING WILL WITHSTAND EXPOSURE TO 260°C ±5°C SOLDER BATH TEMPERATURE FOR 5 SECONDS IN A WAVE SOLDER APPLICATION WITH A 1.6mm MIN THICK CIRCUIT BOARD.
- LABELLING:**
- MEETS PACKAGING SPECS AS PER GS-14-920
- THIS PRODUCT MEETS EUROPEAN DIRECTIVES AND OTHER COUNTRY REGULATIONS AS DISCRIBED IN GS-22-008.



mat'l. code		surface		tolerance		projection		product family	
SEE NOTES		ISO 1302		ISO 406		ISO 1101		MINITEK	
ltr	ecn no	dr	date	tolerances unless otherwise specified		mm		title	
D	F20309	LMU	02.05.03	angles	X.X ±0.3	mm		SHR HEADER	
E	F04-035	JCO	05.01.13	linear	X.XX ±0.13	mm		2.00 RIGHT ANGLE TMT	
F	F06-0210	LMU	06.07.05		X.XXX ±0.05	scale 1:1		dwg no	
G	F08-0113	LMU	08.01.17	dr	L.MULIN	04.09.27		sheet 1 of 1	
H	F08-0150	JCO	08.03.28	engr	J.COMPAGNON	04.09.27		size	
J	F08-0145	ELA	15.04.08	chr				98464	
K	F12-0088	JCO	12.07.23	appd	JM.C	04.09.27		A3	
sheet index	revision sheet							type	
								CUSTOMER Drawing	