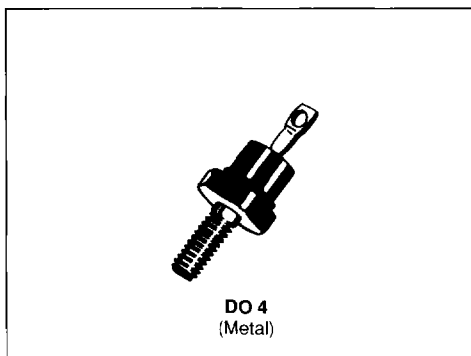


RECTIFIER DIODES

- STANDARD RECTIFIER
- HIGH SURGE CURRENT CAPABILITY
- LOW FORWARD VOLTAGE DROP


ABSOLUTE RATINGS (limiting values)

Symbol	Parameter		Value	Unit
$I_F (AV)$	Average Forward Current*	$T_c = 125^\circ\text{C}$	12	A
I_{FSM}	Surge non Repetitive Forward Current	$t_p = 10\text{ms}$ Sinusoidal	230	A
P_{Tot}	Power Dissipation*	$T_c = 125^\circ\text{C}$	12.5	W
T_{stg} T_j	Storage and Junction Temperature Range		- 40 to 150	$^\circ\text{C}$

Symbol	Parameter	BYW 88-									Unit
		50	100	200	300	400	500	600	800	1000	
V_{RRM}	Repetitive Peak Reverse Voltage	50	100	200	300	400	500	600	800	1000	V

THERMAL RESISTANCE

Symbol	Parameter	Value	Unit
$R_{th(j-c)}$	Junction-case	2	$^\circ\text{C/W}$

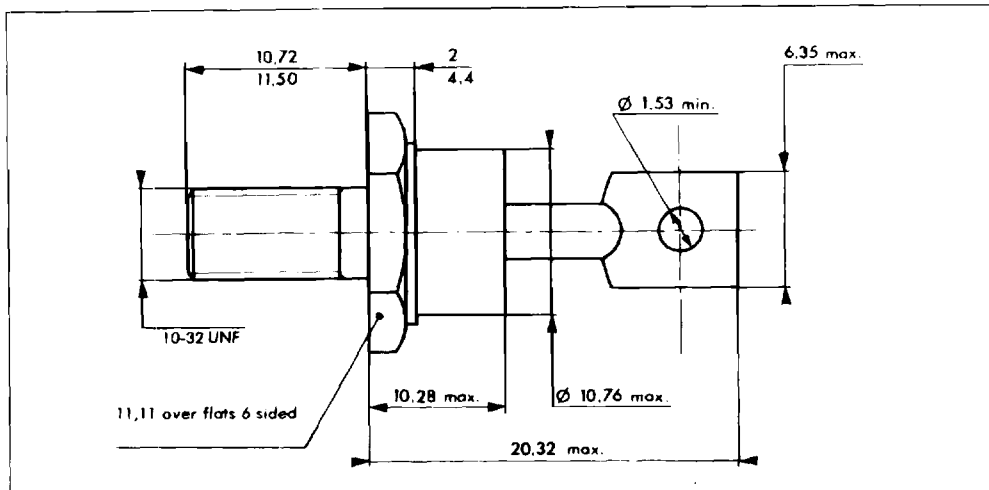
ELECTRICAL CHARACTERISTICS

Symbol	Test Conditions		Min.	Typ.	Max.	Unit
I_R	$T_j = 125^\circ\text{C}$	$V_R = V_{RRM}$			3	mA
V_F	$T_j = 25^\circ\text{C}$	$I_F = 35\text{A}$			1.25	V

* Single phase, half wave, resistive or inductive load

PACKAGE MECHANICAL DATA

DO 4 Metal



Cooling method : by conduction (method C)

Marking : Cathode connected to case : type number

Anode connected to case : type number + suffix R (consult us for these reverse version datasheets)

Weight : 5.1g

Recommended torque value : 180cm. N

Maximum torque value : 220cm. N