

REFERENCE SPECIFICATIONS

-NFC 93425 (in compliance with HE 507)

PHYSICAL CHARACTERISTICS

- INSULATOR MATERIAL: THERMOPLASTIC ,UL94V0
- CONTACT MATERIAL: BRASS
- ACCESSORIES: BRASS
- SHELLS: STEEL

ELECTRICAL CHARACTERISTICS

- NOMINAL CURRENT: 40A
- CONTACT RESISTANCE: <= 7.3 mOhms
- CONTACT/CONTACT : >=1000 V
- CONTACT/GROUND : >=1200 V
- INSULATION RESISTANCE: >=5000 MOhms
- CLIMATIC CATEGORY: 55/125/21
 - TEMPERATURE RANGE -55°C TO +125°C
 - DAMP HEAT STEADY STATE 21 DAYS
 - SALT SPRAY 24 HOURS
- RETENTION AGAINST TORQUE: - Threaded insert: 0.7 N.m minimum
- Female screw : 0.5 N.m minimum

PRESS FIT PERFORMANCES

PRESS FIT CONTACTS	
INSERTION FORCE	<= 200 N Average insertion 160N
EXTRACTION FORCE	>= 30 N

DBL5W5P93C5G40LF

Series

- Shell size: **E A B C** ←
see sheet 2
- Front accessory definition ←
see sheet 2
- L** : threaded insert M3
 - O** : threaded insert UNC 4-40
 - V** : female screw UNC 4-40

Layout of contacts (see sheet 3) ←

Contacts ←

- P** : Pin
- Termination type ←
93 C Straight version

- Plating ←
- 5** 200 matings/unmatings
 - 6** 500 matings/unmatings

PCB accessories definition ←
see sheet 2

- G** : Harpoon used for PCB thickness from 1.60 mm

- Power contacts ←
- 40** : Fitted with power contacts 40 Amp.

See note RoHS

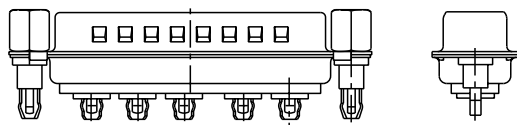
TABLE 1: PCB HOLE DIAMETERS

P.C.B HOLE DEFINITION	DRILL DIAMETER	SnPb holes for CONTACTS	Sn holes for CONTACTS	holes ACCESSORIES
	(NOTE 1 AND 2)		∅3.22 REF(NOTE 3)	∅3.22 REF(NOTE 3)
	DRILLED HOLE	∅3.19-3.25	∅3.19-3.25	
	COPPER PLATING	25µ MINI (RECOMMENDED 50µ MAXI)	25µ MINI (RECOMMENDED 50µ MAXI)	
	TIN-LEAD PLATING	15µ MAXI (RECOMMENDED 5µ MINI)		
	TIN PLATING		0.8 to 1,2µ	
	FINISH HOLE (AFTER REFLOW)	∅ 3.02-3.20	∅3.08-3.20	

NOTE-1: THESE DIMENSIONS MUST BE RESPECT TO SECURE PRESS-FIT PIN PERFORMANCES.
NOTE-2: ACCORDING TO IEC-352-5 SPEC.
NOTE-3: MAJOR REQUIREMENT FOR PRESS FIT PIN PERFORMANCE

NOTE RoHS INFORMATION

- The "LF" products meet european union Directives and other country regulations as described in GS-22-008.
- Termination plating spec:
 - Ni 1.27µm+Sn 0.5 to 1.5µm(pure bright)
- Active area plating spec:
 - Ni + Gold
- Shell plating : 2 to 4µm Cu + 3 to 10µmm Sn(pure bright)
- Accessories: Sn pure bright
- Packaging spec: See GS-14-920



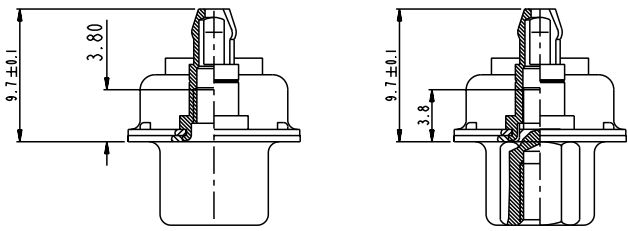
5W5 FOR EXAMPLE

www.fciconnect.com		surface	tolerance	projection	size	Scale
Dr	M PESSON	11/10/05			A2	2:1
Eng	11/10/05	P LEGARE	Product family			
Chr			Spec ref	SEE NOTES	ECN	
Appr			Material			
SUB MALE DW			deg no	C01-8639-2321	Rev.	A
full power straight press fit			catalog no	CUSTOMER COPY	sheet 1 of 4	

This document contains FCI confidential information. Reproduction, communication, distribution, or disclosure of this document is prohibited without the written consent of FCI. © Copyright FCI. All rights reserved.

FCI

This document contains FCI confidential information. Reproduction, communication, distribution, or disclosure of this document is prohibited without the written consent of FCI. © Copyright FCI. All rights reserved.



FRONT ACCESSORIES	L insert M3	V insert UNC 4.40
	O insert UNC 4.40	
PCB ACCESSORY	G Harpoon for PCB from 1.60mm	G Harpoon for PCB from 1.60mm

PART NUMBER	AMPS	MATINGS/ UNMATINGS	FRONT ACCESSORIES	PCB ACCESSORY
D*LxWxP93C5G40LF	40	200	insert M3	harpoon PCB from 1.60mm
D*OxWxP93C5G40LF	40	200	insert UNC 4.40	harpoon PCB from 1.60mm
D*VxWxP93C5G40LF	40	200	female screw UNC 4.40	harpoon PCB from 1.60mm

shell size	LAYOUTS
#	xWx
E	2V2
A	3V3
A	3W3
B	5W5
C	8W8

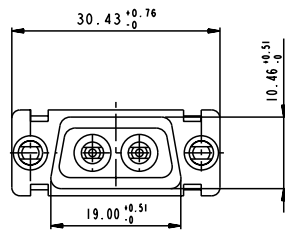
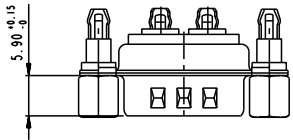
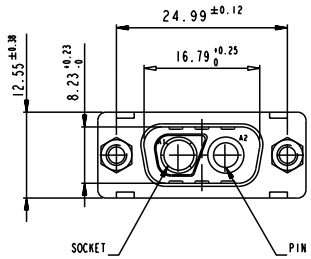
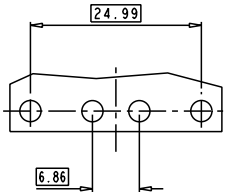
PART NUMBER	AMPS	MATINGS/ UNMATINGS	FRONT ACCESSORY	PCB ACCESSORIES
D*LxWxP93C6G40LF	40	500	insert M3	harpoon PCB from 1.60mm
D*OxWxP93C6G40LF	40	500	insert UNC 4.40	harpoon PCB from 1.60mm
D*VxWxP93C6G40LF	40	500	female screw UNC 4.40	harpoon PCB from 1.60mm

SCALE: 4

FCI www.fciconnect.com		surface <input checked="" type="checkbox"/>	tolerance	projection
Dr	M PESSON	11/10/05	Product family	- size A2 Scale 2:1
Eng	11/10/05	P LEGARE	Spec ref	
Chr			Material	SEE NOTES ECN
Appr				
Title SUB MALE DW		dag no	C01-8639-2321	Rev. A
full power straight press fit				
catalog no			CUSTOMER COPY	sheet 2 of 4

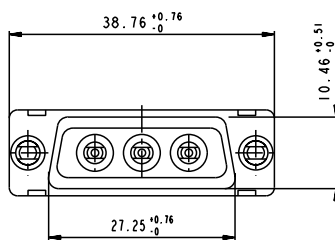
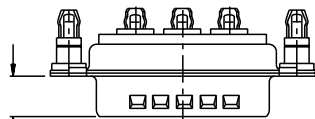
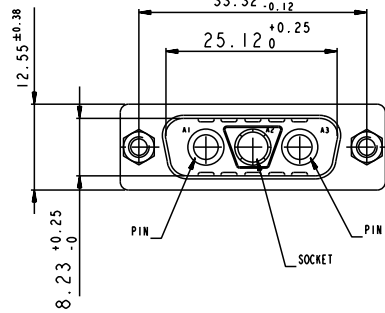
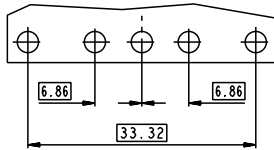
2V2

LAYOUT AND CONNECTOR DIMENSIONS
For PCB hole diameters see Table I sheet 1



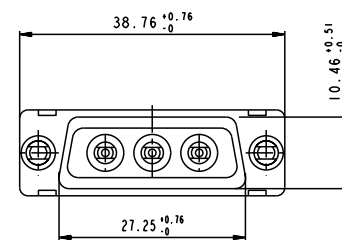
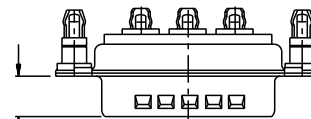
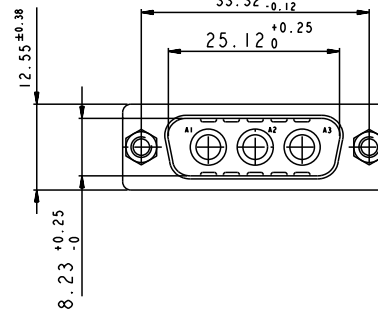
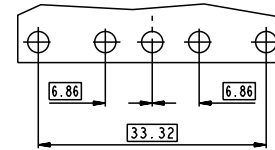
3V3

LAYOUT AND CONNECTOR DIMENSIONS
For PCB hole diameters see Table I sheet 1

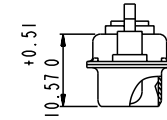


3W3

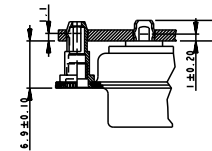
LAYOUT AND CONNECTOR DIMENSIONS
For PCB hole diameters see Table I sheet 1



SIDE VIEW FOR
LAYOUTS: E A B C



DETAIL OF PRESS FIT



This drawing is the property of FCI. It is to be used for the design and manufacture of the product only. It is not to be used for the design and manufacture of other products.

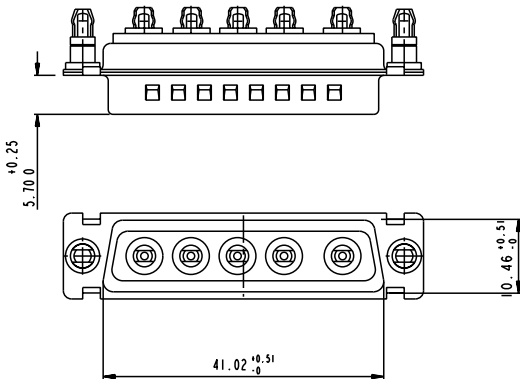
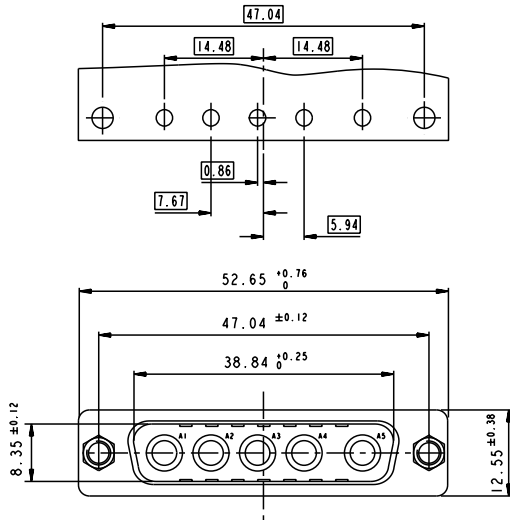
FCI

All rights are reserved. Reproduction or distribution of this drawing without the written permission of FCI is prohibited.

FCI www.fciconnect.com		surface <input checked="" type="checkbox"/>	tolerance	projection
Dr M PESSON	11/10/05	Product family		size A2
Eng 11/10/05	P LEGARE	Spec ref		Scale 2:1
Chr		Material		ECN
Appr		SEE NOTES		
Title SUB MALE DW		deg no C01-8639-2321	Rev. A	
catalog no		CUSTOMER COPY		sheet 3 of 4

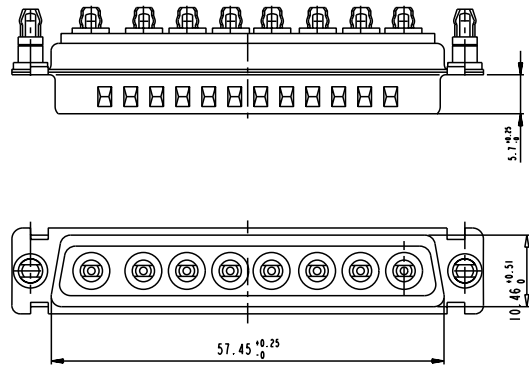
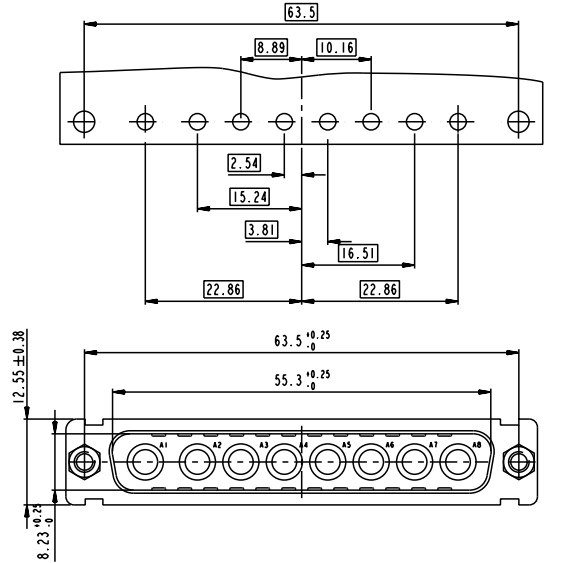
5W5 LAYOUT AND CONNECTOR DIMENSIONS

For PCB hole diameters see table 1 sheet 1



8W8 LAYOUT AND CONNECTOR DIMENSIONS

For PCB hole diameters see table 1 sheet 1



This drawing is the property of FCI. It is not to be reproduced, stored in a retrieval system, or transmitted in any form or by any means, electronic, mechanical, photocopying, recording, or by any information storage and retrieval system, without the prior written permission of FCI.

FCI

This drawing is the property of FCI. It is not to be reproduced, stored in a retrieval system, or transmitted in any form or by any means, electronic, mechanical, photocopying, recording, or by any information storage and retrieval system, without the prior written permission of FCI.

FCI www.fciconnect.com		surface <input checked="" type="checkbox"/>	tolerance	projection
Dr	M PESSON	11/10/05	Product family	size A2 Scale 2:1
Eng	11/10/05	P LEGARE	Spec ref	
Chr			Material	SEE NOTES ECN
Appr				
Title SUB MALE DW		dag no	C01-8639-2321	
full power straight press fit			Rev.	A
catalog no		CUSTOMER COPY		sheet 4 of 4