

## D TYPE CONNECTORS LOW COST

- 15, 26, 44, 62, or 78 way
- Stamped & Formed Contacts
- Selective Gold Plated Contacts
- Tin Plated Metal Housing
- Low cost

## HIGH DENSITY SOLDER BUCKET



### SPECIFICATION

#### Mechanical:

**Insulator:** PBT +30% Glass Fibre  
UL94V-0

**Pin contacts:** Phosphor Bronze  
Gold Plated

**Shell:** Steel, SPCC  
Nickel and Tin Plated

#### Electrical Data:

**Rated Voltage:** 350V AC

**Rated Current:** 5A

**With stand Voltage:** 500V AC(rms)

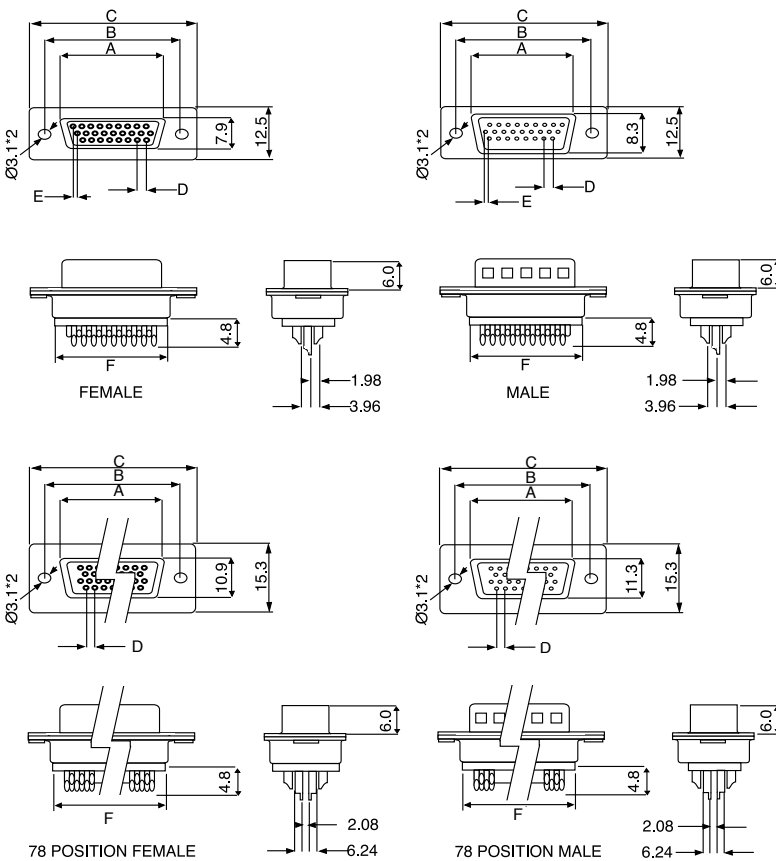
**Insulation Resistance:** Over 1000 MΩ

**Contact Resistance:** 5 MΩ at 1A

**Temperature:** -20°C to 100°C

### OUTLINE DRAWING

SECTION 11



POSITION	A	B	C	D	E	F
15 F	16.30	25.00	30.8	2.29	1.14	19.2
26 F	24.60	33.30	39.2	2.29	1.14	27.7
44 F	38.30	47.10	53.1	2.29	1.14	41.1
62 F	54.80	63.50	69.4	2.41	1.20	57.3
78 F	52.2	61.00	67.0	2.41	-	55.1

POSITION	A	B	C	D	E	F
15 M	16.92	25.00	30.8	2.29	1.14	19.2
26 M	25.25	33.30	39.2	2.29	1.14	27.7
44 M	38.96	47.10	53.1	2.29	1.14	41.1
62 M	55.42	63.50	69.4	2.41	1.20	57.3
78 M	52.81	61.00	67.0	2.41	-	55.1

### ORDERING INFORMATION

DBC	HD	F	SB	26	S
Dubilier Connectors	Series	Connector Type	Contact Style	N° of Ways	Contact Plating
	HD= High Density Stamped & Formed	M = Male F = Female	SB = Solder Bucket	15 = 15ways 26 = 26ways 44 = 44ways 62 = 62ways 78 = 78ways	S= Selective Plating

## D TYPE CONNECTORS LOW COST

## HIGH DENSITY SOLDER PIN STRAIGHT

- 15, 26, 44, 62 or 78 way
- Stamped & Formed Contacts
- Selective Gold Plated Contacts
- Tin Plated Metal Housing
- Low cost



### SPECIFICATION

#### Mechanical:

**Insulator:** PBT +30% Glass Fibre  
UL94V-0

**Pin contacts:** Phosphor Bronze  
Gold Plated

**Shell:** Steel, SPCC  
Nickel and Tin Plated

#### Electrical Data:

**Rated Voltage:** 350V AC

**Rated Current:** 5A

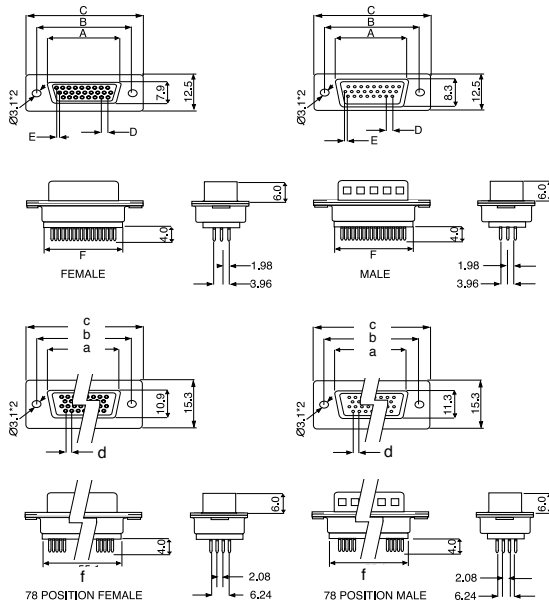
**With stand Voltage:** 500V AC(rms)

**Insulation Resistance:** Over 1000 MΩ

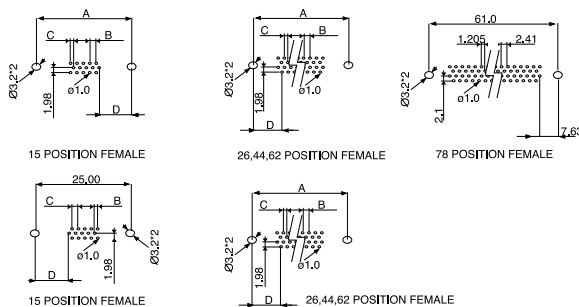
**Contact Resistance:** 5 MΩ at 1A

**Temperature:** -20 °C to 100 °C

### OUTLINE DRAWING



#### P.C. BOARD LAYOUT PATTERN



POSITION	A	B	C	D	E	F
15 F	16.30	25.00	30.8	2.29	1.14	19.2
26 F	24.60	33.30	39.2	2.29	1.14	27.7
44 F	38.30	47.10	53.1	2.29	1.14	41.1
62 F	54.80	63.50	69.4	2.41	1.20	57.3
78F	67.0	61.0	67.0	2.41	-	55.1

POSITION	A	B	C	D	E	F
15 M	16.92	25.00	30.8	2.29	1.14	19.2
26 M	25.25	33.30	39.2	2.29	1.14	27.7
44 M	38.96	47.10	53.1	2.29	1.14	41.1
62 M	55.42	63.50	69.4	2.41	1.20	57.3
78M	52.81	61.0	67.0	2.41	-	55.1

#### P.C. BOARD LAYOUT

POSITION	A	B	C	D
15 M/F	25.0	2.29	1.145	7.04
26 M/F	33.3	2.29	1.145	6.88
44 M/F	47.1	2.29	1.145	6.88
62 M/F	63.5	2.41	1.205	7.00

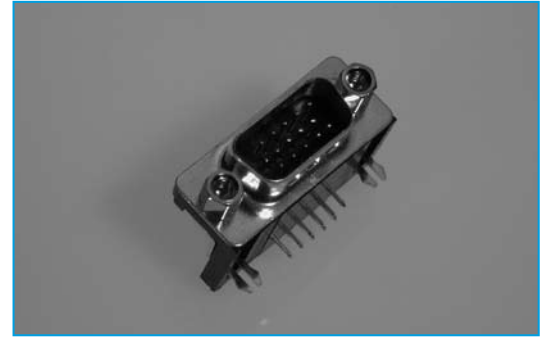
### ORDERING INFORMATION

DBC	HD	F	SS	26	S
Dubilier Connectors	Series	Connector Type	Contact Style	N° of Ways	Contact Plating
	HD= High Density Stamped & Formed	M = Male F = Female	SS = Solder Straight	15 = 15ways 26 = 26ways 44 = 44ways 62 = 62ways 78 = 78ways	S= Selective Plating

## D TYPE CONNECTORS LOW COST

- 15, 26, 44, 62 way
- Stamped & Formed Contacts
- Gold Plated Contacts
- Tin Plated Metal Housing
- Low Cost
- Complete with Boardlocks + Screwlocks

## HIGH DENSITY PCB RIGHT ANGLE



### SPECIFICATION

#### Material

**Insulator:** PBT +30% Glass Fibre  
UL94V-0

**Pin Contact:** Phosphor Bronze  
Gold Plated

**Shell:** Steel, SPCC  
Nickel and Tin Plated

**Rating Current:** 350V AC

**Rated Current:** 5A

**Withstand Voltage:** 500V AC(rms)

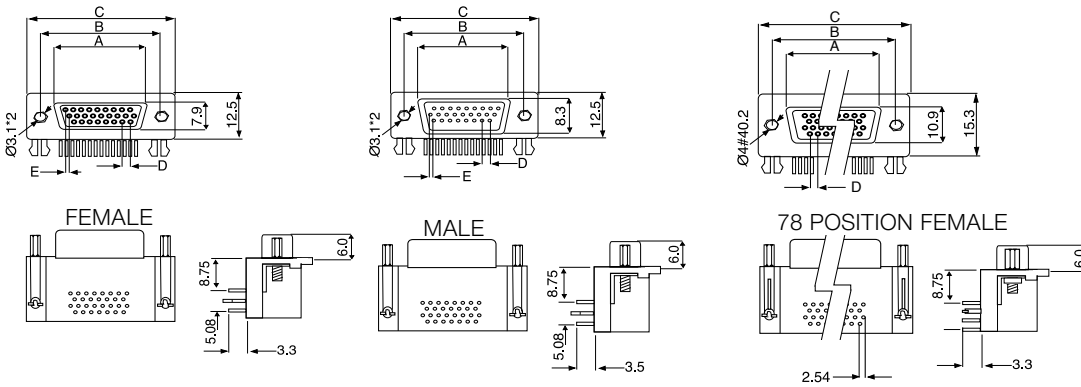
**Contact Resistance:** 5 mΩ at 1A

**Insulation Resistance:** Over 1000MΩ

**Temperature:** -20 °C to to 100 °C

### OUTLINE DRAWING

#### Electrical Data



POSITION	A	B	C	D	E
15F	16.30	25.00	30.8	2.29	1.145
26F	24.60	33.30	39.2	2.29	1.145
44F	38.30	47.10	53.1	2.29	1.145
62F	54.80	63.50	69.4	2.41	1.205
78F	52.0	61.00	67.0	2.41	-

POSITION	A	B	C	D	E
15M	16.92	25.00	30.8	2.29	1.145
26M	25.25	33.30	39.2	2.29	1.145
44M	38.96	47.10	53.1	2.29	1.145
62M	55.42	63.50	69.4	2.41	1.205

### ORDERING INFORMATION

DBC	HD	F	SR	26	G
Dubilier Connectors	Series	Contact Type	Contact Style	No of Ways	Contact Plating
	HD = High Density Stamped & Formed	M = Male F = Female	SR = PCB Right Angle	15 = 15 ways 26 = 26 ways 44 = 44ways 62 = 62ways	G = Gold Flash

## D TYPE CONNECTORS LOW COST

- 15, 26, 44, 62 or 78 way
- Stamped & Formed Contacts
- Gold Plated Contacts
- Tin Plated Metal Housing
- Low cost

## HIGH DENSITY CRIMP PIN



### SPECIFICATION

#### Mechanical:

**Insulator:** PBT +30% Glass Fibre  
UL94V-0

**Pin contacts:** Phosphor Bronze  
Gold Plated

**Shell:** Steel, SPCC  
Nickel and Tin Plated

#### Electrical Data:

**Rated Voltage:** 350V AC

**Rated Current:** 5A

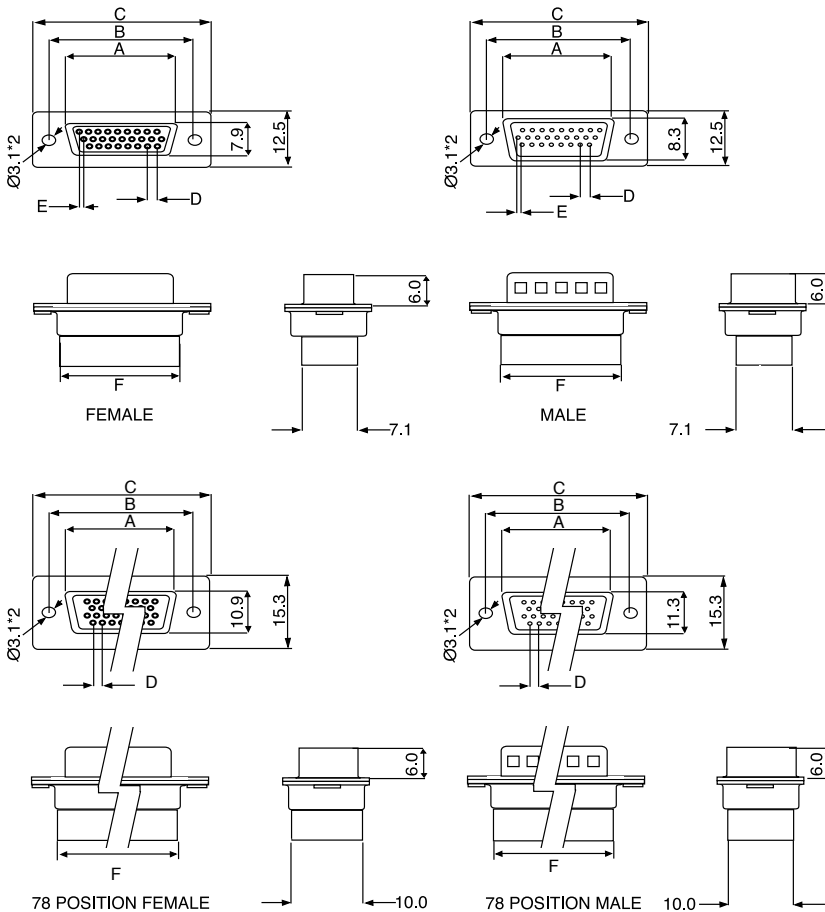
**With stand Voltage:** 500V AC(rms)

**Insulation Resistance:** Over 1000 MΩ

**Contact Resistance:** 5 MΩ at 1A

**Temperature:** -20°C to 100°C

### OUTLINE DRAWING



POSITION	A	B	C	D	E	F
15 F	16.30	25.00	30.8	2.29	1.14	19.2
26 F	24.60	33.30	39.2	2.29	1.14	27.7
44 F	38.30	47.10	53.1	2.29	1.14	41.1
62 F	54.80	63.50	69.4	2.41	1.20	57.3
78F	52.20	61.00	67.0	2.41	-	55.1

POSITION	A	B	C	D	E	F
15 M	16.92	25.00	30.8	2.29	1.14	19.2
26 M	25.25	33.30	39.2	2.29	1.14	27.7
44 M	38.96	47.10	53.1	2.29	1.14	41.1
62 M	55.42	63.50	69.4	2.41	1.20	57.3
78M	52.81	61.00	67.0	2.41	-	55.1

### ORDERING INFORMATION

#### Housing

#### Contacts

DBC	HD	F	CD	26
Dubilier Connectors	Series	Connector Type	Contact Style	N° of Ways
	HD= High Density	M = Male F = Female	CD= Crimp Contact Housing	15 = 15ways 26 = 26ways 44 = 44ways 62 = 62ways 78 = 78ways

DBC	HCDC	F	PIN
Dubilier Connectors	Series	Contact Type	Pin
	HCDC= Crimp Contact	M = Male F = Female	