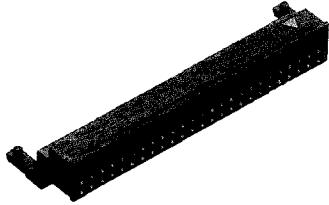


50-contacts socket connector for CF card
ICMD-B50FYC-OM()

Connector for CF cards
For PCBs
Right-angle SMT
Conforming to CFA standard



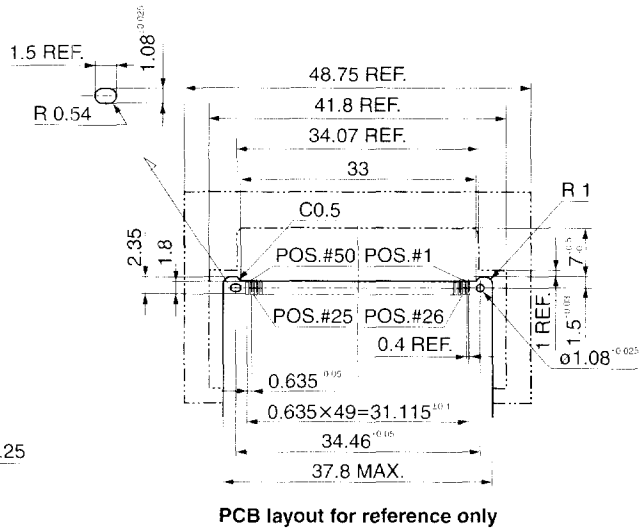
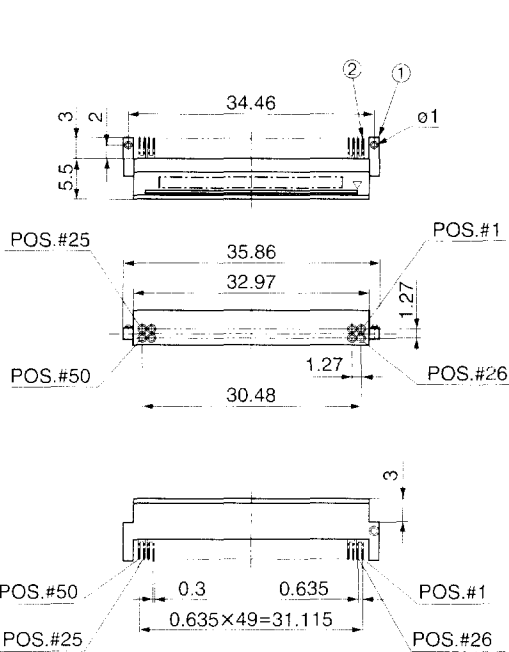
● Configuration of product Part No.

ICMD- B50 FYC- OM()

① ② ③ ④

- ① Series name
- ② 50-contacts connector for TYPE-II CF cards (normal type)
- ③ Type of contact: Right angle SMT type, female
- ④ Offset
 - OM00: 0 mm OM06: 0.6 mm
 - OM02: 0.2 mm OM08: 0.8 mm
 - OM03: 0.3 mm OM09: 0.9 mm

ICMD



PCB layout for reference only

● Components

| | |
|---|-----------------|
| 1 | Insulator |
| 2 | Socket contacts |

Note: This connector conforms with CFA Standard Rev. 1.3

● Dimensions

| Part No. | Offset |
|------------------|--------|
| ICMD-B50FYC-OM00 | 0 |
| ICMD-B50FYC-OM02 | 0.2 |
| ICMD-B50FYC-OM03 | 0.3 |
| ICMD-B50FYC-OM06 | 0.6 |
| ICMD-B50FYC-OM08 | 0.8 |
| ICMD-B50FYC-OM09 | 0.9 |