

LED



T1 $\frac{3}{4}$ (5mm) CLEAR ILLUMINATOR LEDs

HIGH INTENSITY

LEDTRONICS PART NO.	LED COLOR	Topr/Tstg (see notes)	ABSOLUTE MAX. RATINGS Ta=25°C				ELECTRO-OPTICAL CHARACTERISTICS Ta=25°C						F I G
			Pd mW	Ifp mA	If mA	Vr V	If mA typ	Iv mcd min/typ	Vf V typ/max	VIEW ANGLE	IrMAX μ A	λ P nm	
T1$\frac{3}{4}$ (5mm) SINGLE CHIP, HIGH EFFICIENCY CLEAR LEDs													
L200CWR5K	RED 5Kmcld	3/6	125	200	50	4	20	1.8K/4.1K	1.7/2.2	8	100	660	1
L200CWR3KC	RED 3Kmcld	3/6	125	200	50	4	20	1K/2.3K	1.7/2.2	8	100	660	2
L200CWR1KA	RED 1Kmcld	1/5	100	200	40	4	20	700/1K	1.8/2.4	12	100	660	2
L200CWR900-SO	RED 900mcld	3/6	125	200	50	4	20	560/1280	1.7/2.2	35	100	660	3
L200CWR6S	ULTRA RED	4/6	100	300	50	4	20	80/160	1.7/2.0	12	100	660	6
L200CR5DN	ULTRA RED	3/6	55	-	25	4	20	50/200	1.7/2.2	10	100	660	2
L200CWR6H-SO	ULTRA RED	2/5	87	300	30	5	20	100/240	1.8/2.2	24	100	660	6
L200CR5A	HI-EFF RED	1/5	100	120	30	5	10	10/40	2.0/2.8	16	100	635	5
L200CWR5H	HI-EFF RED	1/5	135	90	30	5	20	80/125	2.2/3.0	24	100	635	6
L200CWR5A	HI-EFF RED	1/5	100	120	30	5	10	10/40	2.0/2.8	16	100	630	5
L200CW05S	ORANGE	4/6	125	100	50	4	20	60/90	2.2/2.5	12	100	605	6
L200CO4	ORANGE	3/6	100	-	25	4	15	1.0/8.0	2.1/2.8	50	100	610	5
L200CWY3K	YELLOW 3Kmcld	4/6	80	100	50	4	20	850/2.5K	1.9/2.6	8	50	590	1
L200CY5A	AMBER YELLOW	1/5	60	80	20	5	10	10/40	2.1/2.8	16	100	585	5
L200CWY5H	AMBER YELLOW	1/5	85	60	20	5	20	80/140	2.2/3.0	24	100	585	6
L200CY5DN	AMBER YELLOW	3/6	70	-	25	4	20	60/120	2.1/2.8	10	100	585	2
L200CWLY5S	LIME YELLOW	4/6	125	100	50	4	20	80/160	2.1/2.5	12	100	570	6
L200CG5A	HI-EFF GREEN	1/5	100	120	30	5	20	10/40	2.1/2.8	16	100	565	5
L200CG5DN	HI-EFF GREEN	3/6	70	-	25	4	20	60/120	2.1/2.8	10	5	565	2
L200CWG5H	HI-EFF GREEN	2/5	135	90	30	5	20	80/120	2.3/3.0	24	100	565	6
L200CPG6S	PURE GREEN	4/6	125	100	50	4	20	100/150	2.1/2.5	12	100	555	6
L200CWP6SS	PURE GREEN	4/6	125	100	50	4	20	50/80	2.1/2.5	12	100	555	6
L200CW85	BLUE	3/5	200	300	50	5	30	15/25	3.2/3.7	12	100	470	5
L200CW85-NB	BLUE	3/5	200	300	50	5	30	15/25	3.2/3.7	6	100	470	2

NEW

Topr notes: 1.) -55°C TO +100°C 2.) -20°C TO +100°C
 Tstg notes: 3.) -20°C TO +85°C 4.) -30°C TO +85°C
 Jctn/Cath Temp. 145°C/Watt
 Lead Soldering Temp. 260°C max., 5 sec.
 1/16" (1.6mm) from body

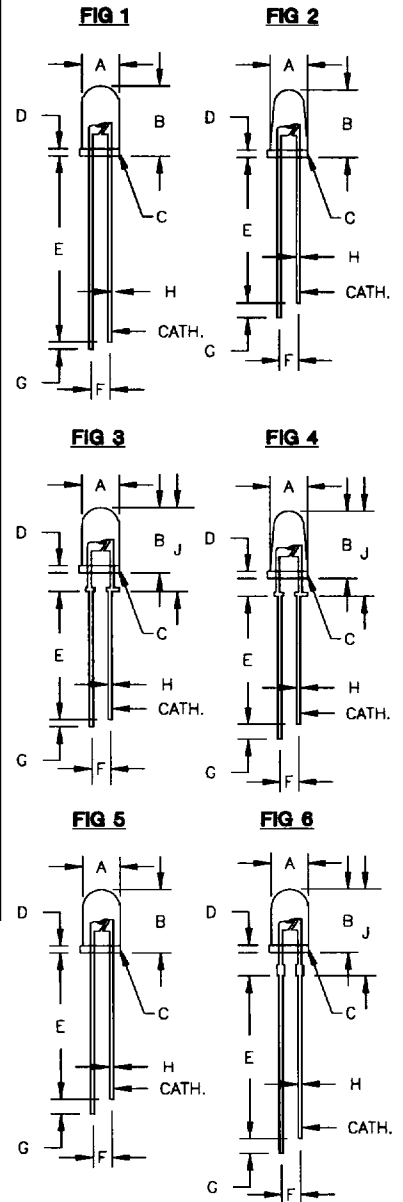


FIG	"A" (O.D.) (mm)	"B" (mm)	"C" DIA. (mm)	"D" (mm)	"E" TYP. (mm)	"F" (mm)	"G" NOM. (mm)	"H" SQ. (mm)	"J" (mm)
1	.197 5(mm)	.380 9.65(mm)	.230 5.84(mm)	.040 1(mm)	1.00 25.4(mm)	.100 2.54(mm)	.08 2(mm)	.020 .5(mm)	—
2	.197 5(mm)	.350 8.8(mm)	.230 5.84(mm)	.040 1(mm)	1.00 25.4(mm)	.100 2.54(mm)	.04 1(mm)	.020 .5(mm)	—
3	.197 5(mm)	.340 8.64(mm)	.230 5.84(mm)	.040 1(mm)	1.00 25.4(mm)	.100 2.54(mm)	.08 2(mm)	.020 .5(mm)	.440 11.15(mm)
4	.197 5(mm)	.360 9.14(mm)	.230 5.84(mm)	.040 1(mm)	1.00 25.4(mm)	.100 2.54(mm)	.079 2(mm)	.020 .5(mm)	.460 11.68(mm)
5	.197 5(mm)	.340 8.64(mm)	.230 5.84(mm)	.040 1(mm)	1.00 25.4(mm)	.100 2.54(mm)	.04 1(mm)	.020 .5(mm)	—
6	.197 5(mm)	.350 8.8(mm)	.230 5.84(mm)	.030 .76(mm)	1.00 25.4(mm)	.100 2.54(mm)	.05 1.27(mm)	.025 .64(mm)	.475 12(mm)

Tol: .XXX=.005", .XX=.010"