

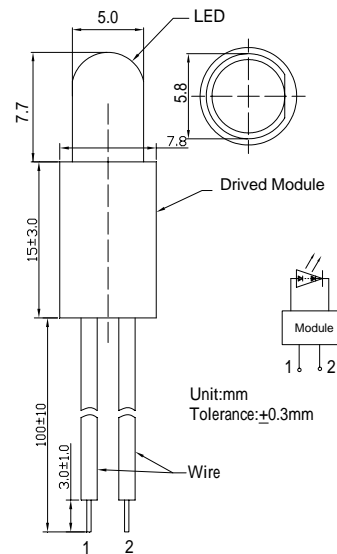
Features

- High Luminous LEDs
- 5mm Round Standard Directivity
- Superior Weather-resistance
- UV Resistant Epoxy
- 12V DC LED
- Water Clear Type

Applications

- Small Area Lighting
- Other Lighting

Outline Dimension

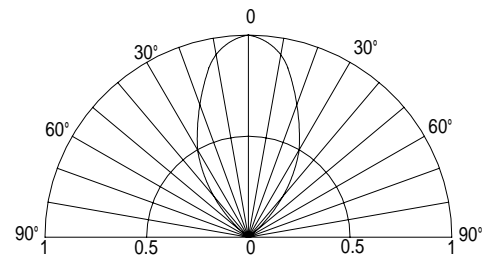


Absolute Maximum Rating

($T_a=25$)

Item	Symbol	Value	Unit
DC Voltage	V_f	14	V
DC Current	I_f	20	mA
Power Dissipation	P_D	280	mW
Operating Temperature	T_{opr}	-30 ~ +85	
Storage Temperature	T_{stg}	-30 ~ +85	
Lead Soldering Temperature	T_{sol}	260 /5sec	-

Directivity



Electrical -Optical Characteristics ($T_a=25$)

Part Number	Color		I (mA)			v (lm)*			λD (nm)*			2 θ 1/2(deg)
			Min	Typ.	Max.	Min.	Typ.	Max.	Min.	Typ.	Max.	Typ.
			$V_F=12V$			$V_F=12V$			$V_F=12V$			
OSW5G45161A-CCW	Cool White	W	13	15	20	26	28	-	X=0.27, Y=0.28			60
OSM5G45161A-CCW	Warm White	M	13	15	20	22	24	-	X=0.45, Y=0.41			60

*1 Tolerance of chromaticity coordinates is $\pm 10\%$, Tolerance of λd is ± 1 nm.

*2 Tolerance of luminous intensity is $\pm 15\%$