



75 Ohm N Male Connector Clamp/Solder Attachment For RG6

TECHNICAL DATA SHEET

PE4507

75 Ohm N Male Connector Clamp/Solder Attachment For RG6

Configuration

| | |
|--|--------------|
| Connector | N Male |
| Connector Specification | MIL-STD-348A |
| Connector Interface Type | RG6 |
| Cable Attachment Method (Shield/Contact) | Clamp/Solder |
| Body Style | Straight |

Electrical Specifications

| | |
|-----------------|----|
| Impedance, Ohms | 75 |
|-----------------|----|

Mechanical Specifications

Size

| | |
|---------------------|---------------|
| Length, in [mm] | 1.5 [38.1] |
| Width/Dia., in [mm] | 0.8 [20] |
| Weight, lbs [g] | 0.137 [62.14] |

Connector

| | |
|------------------------------------|------------------|
| Type | N Male |
| Contact Material and Plating | Brass, Gold |
| Contact Plating Specification | 30μ in. minimum |
| Coupling Nut Material and Plating | Brass, Nickel |
| Coupling Nut Plating Specification | 100μ in. minimum |
| Body Material and Plating | Brass, Nickel |
| Body Plating Specification | 100μ in. minimum |
| Dielectric Type | Teflon |

Compliance Certifications (visit www.Pasternack.com for current document)

| | |
|----------------|-----|
| RoHS Compliant | Yes |
|----------------|-----|

Plotted and Other Data

| | |
|--------|----------------------------|
| Notes: | Values at 25 °C, sea level |
|--------|----------------------------|

Click the following link (or enter part number in "SEARCH" on website) to obtain additional part information including price, inventory and certifications: [75 Ohm N Male Connector Clamp/Solder Attachment For RG6 PE4507](#)

The information contained in this document is accurate to the best of our knowledge and representative of the part described herein. It may be necessary to make modifications to the part and/or the documentation of the part, in order to implement improvements. Pasternack reserves the right to make such changes as required. Unless otherwise stated, all specifications are nominal.



75 Ohm N Male Connector Clamp/Solder Attachment For RG6

TECHNICAL DATA SHEET

PE4507

75 Ohm N Male Connector Clamp/Solder Attachment For RG6 from Pasternack Enterprises has same day shipment for domestic and International orders. Our RF, microwave and fiber optic products maintain a 99% availability and are part of the broadest selection in the industry.

Click the following link (or enter part number in "SEARCH" on website) to obtain additional part information including price, inventory and certifications: [75 Ohm N Male Connector Clamp/Solder Attachment For RG6 PE4507](http://www.pasternack.com/n-male-standard-rg6-connector-pe4507-p.aspx)

URL: <http://www.pasternack.com/n-male-standard-rg6-connector-pe4507-p.aspx>

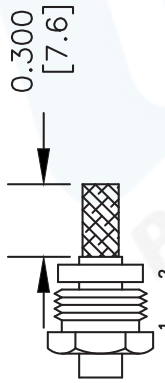
The information contained in this document is accurate to the best of our knowledge and representative of the part described herein. It may be necessary to make modifications to the part and/or the documentation of the part, in order to implement improvements. Pasternack reserves the right to make such changes as required. Unless otherwise stated, all specifications are nominal.

PE4507 CAD Drawing

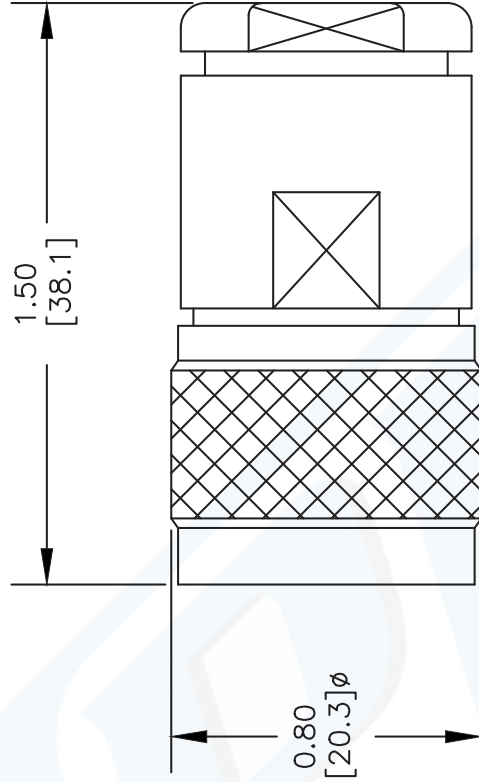
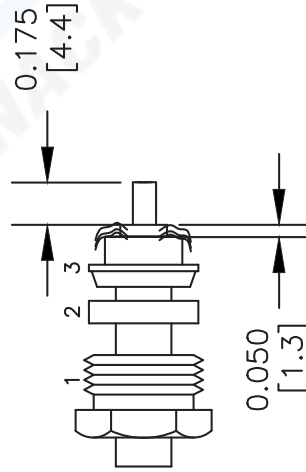
75 Ohm N Male Connector Clamp/Solder Attachment For RG6

ASSEMBLY PROCEDURES

1. SLIDE CLAMP NUT (1) & GASKET (2) OVER CABLE. STRIP CABLE AS SHOWN. DO NOT NICK BRAID WHILE CUTTING JACKET. TAPER END OF BRAID TO PERMIT ASSEMBLY OF BRAID CLAMP (3) SLIDE BRAID CLAMP(3) OVER BRAID & SEAT AGAINST CABLE.



2. FORM BRAID OVER CLAMP NUT (3). TRIM BRAID BACK TO SHOULDER. CUT DIELECTRIC TO DIMENSION SHOWN. DO NOT NICK CENTER CONDUCTOR. SOLDER CONTACT TO CENTER CONDUCTOR. REMOVE EXCESS SOLDER. DO NOT OVER HEAT DIELECTRIC. INSERT CABLE ASSEMBLY INTO BODY & TIGHTEN.



DWG TITLE

PE4507

NOTES:
 1. UNLESS OTHERWISE SPECIFIED ALL DIMENSIONS ARE NOMINAL.
 2. ALL SPECIFICATIONS ARE SUBJECT TO CHANGE WITHOUT NOTICE AT ANY TIME.
 3. DIMENSIONS ARE IN INCHES [mm].
 4. FITS MIL-C-17 AND EQUIVALENT CABLES.

FSCM NO. 53919

CAD FILE 052002

SCALE N/A

SIZE A

XXXX



Pasternack Enterprises, Inc.
 P.O. Box 16759 | Irvine | CA | 92623
 Phone: (949) 261-1920 | Fax: (949) 261-7451
 Website: www.pasternack.com | E-Mail: sales@pasternack.com