



SMA Female Connector Solder Attachment 1/4 inch Stripline PCB

TECHNICAL DATA SHEET

PE4535

SMA Female Connector Solder Attachment 1/4 inch Stripline PCB

Configuration

Connector	SMA Female
Connector Specification	MIL-C-39012
Connector Interface Type	1/4 inch Stripline
Cable Attachment Method (Shield/Contact)	Solder
Body Style	Straight

Electrical Specifications

Impedance, Ohms	50
-----------------	----

Mechanical Specifications

Temperature

Operating Range, deg C	-65 to +165
------------------------	-------------

Size

Length, in [mm]	0.635 [16.13]
Width/Dia., in [mm]	0.375 [9.53]
Height, in [mm]	0.5 [12.7]
Weight, lbs [g]	0.013 [5.9]

Connector

Type	SMA Female
Contact Material and Plating	Gold
Contact Plating Specification	MIL-G-45204
Body Material and Plating	Brass, Nickel
Dielectric Type	Teflon

Compliance Certifications (visit www.Pasternack.com for current document)

RoHS Compliant	Yes
----------------	-----

Plotted and Other Data

Notes:	Values at 25 °C, sea level
--------	----------------------------

Click the following link (or enter part number in "SEARCH" on website) to obtain additional part information including price, inventory and certifications: [SMA Female Connector Solder Attachment 1/4 inch Stripline PCB PE4535](#)

The information contained in this document is accurate to the best of our knowledge and representative of the part described herein. It may be necessary to make modifications to the part and/or the documentation of the part, in order to implement improvements. Pasternack reserves the right to make such changes as required. Unless otherwise stated, all specifications are nominal.



SMA Female Connector Solder Attachment 1/4 inch Stripline PCB

TECHNICAL DATA SHEET

PE4535

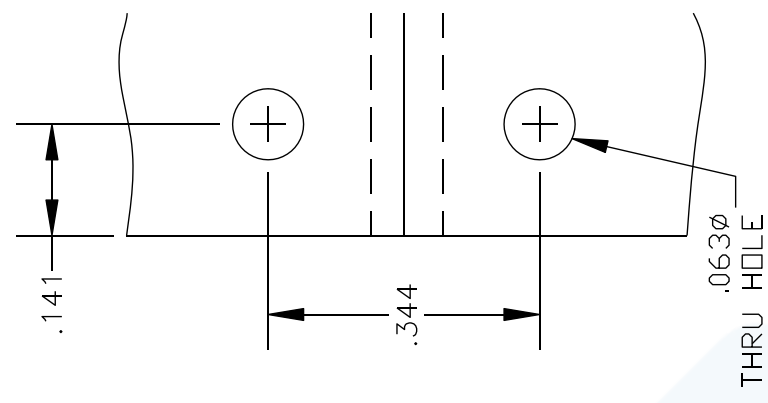
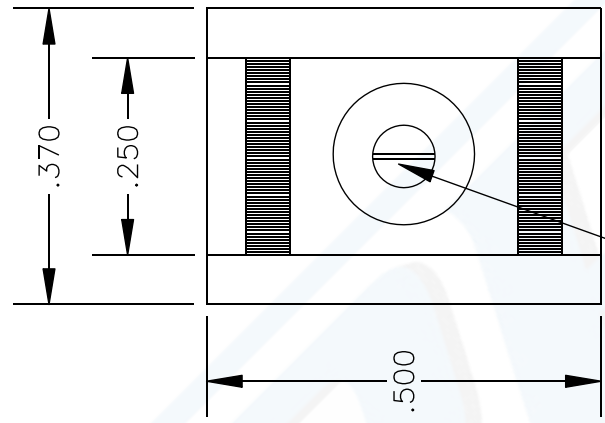
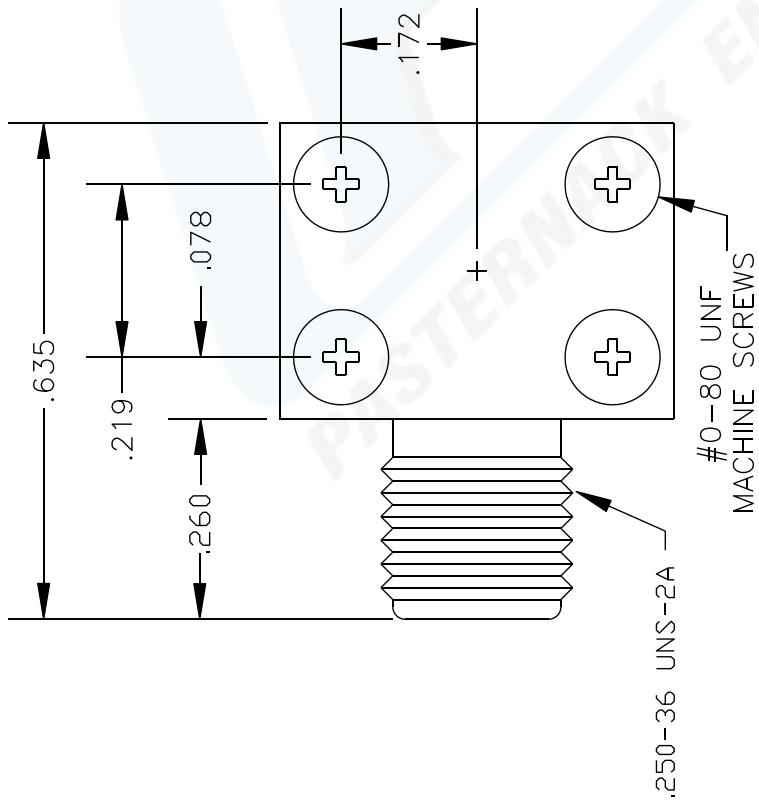
SMA Female Connector Solder Attachment 1/4 inch Stripline PCB from Pasternack Enterprises has same day shipment for domestic and International orders. Our RF, microwave and fiber optic products maintain a 99% availability and are part of the broadest selection in the industry.

Click the following link (or enter part number in "SEARCH" on website) to obtain additional part information including price, inventory and certifications: [SMA Female Connector Solder Attachment 1/4 inch Stripline PCB PE4535](http://www.pasternack.com/sma-female-standard-1-4-inch-stripline-connector-pe4535-p.aspx)

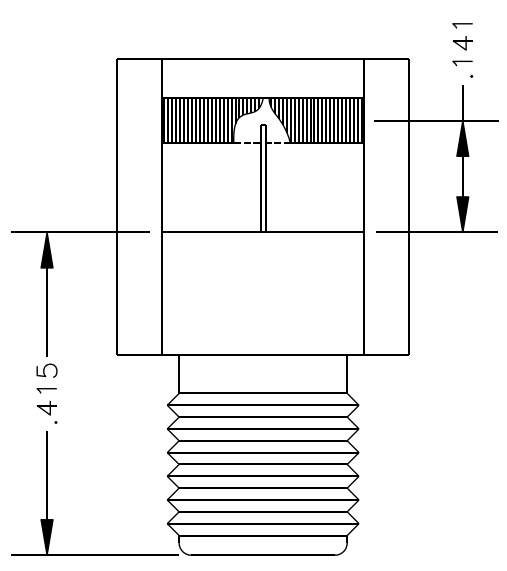
URL: <http://www.pasternack.com/sma-female-standard-1-4-inch-stripline-connector-pe4535-p.aspx>

The information contained in this document is accurate to the best of our knowledge and representative of the part described herein. It may be necessary to make modifications to the part and/or the documentation of the part, in order to implement improvements. Pasternack reserves the right to make such changes as required. Unless otherwise stated, all specifications are nominal.

MATERIALS	
BODY	BRASS NICKEL PLATED
CONTACT	GOLD PLATED
INSULATOR	PTFE



.006 THICK X .080 WIDE
X .125 LONG TAB



DWG TITLE	DES.	SMA FEMALE, STRIPLINE END LAUNCH CAPTIVE TAB CONTACT
PE4535		
REV. -	FSCM NO. 53919	CAD FILE 061108
	SCALE N/A	SIZE A 127

NOTES:
 1. UNLESS OTHERWISE SPECIFIED ALL DIMENSIONS ARE NOMINAL.
 2. ALL SPECIFICATIONS ARE SUBJECT TO CHANGE WITHOUT NOTICE AT ANY TIME.
 3. DIMENSIONS ARE IN INCHES.