



PE7089-3

3 dB Fixed Attenuator, 2.4mm Male To 2.4mm Female Stainless Steel Body Rated To 1 Watt Up To 50 GHz

50 GHz 2.4mm Attenuator

The Pasternack PE7089 attenuator series are designed with stainless steel 2.4mm connectors for excellent performance to 50 GHz and 1 Watt. This high frequency attenuator family has a stainless steel round body construction with 9/32 flats for improved anti-torque installation and removal in a system. The high performance 50 GHz attenuator values are 3 dB, 6 dB, 10 dB, 15 dB, 20 dB and 30 dB for millimeter wave attenuator applications.

Configuration

Connector 1	2.4mm Male
Connector 2	2.4mm Female
Frequency Range (GHz)	DC to 50
Body Material and Plating	Stainless Steel, Passivated
Design	Fixed

Electrical Specifications

Frequency Range (GHz)	DC to 50
Impedance (Ohms)	50
Power, Max Input (Watt)	1
Standard Attenuation Values (dB)	3
VSWR Max Input	1.75:1

Frequency 1

Range (GHz)	DC to 26.5
Attenuation Accuracy (GHz)	0.5
VSWR	1.35:1

Frequency 2

Range (GHz)	26.5 to 40
Attenuation Accuracy (±dB)	1
VSWR	1.6:1

Frequency 3

Range (GHz)	40 to 50
Attenuation Accuracy (±dB)	1.5
VSWR	1.75:1

Click the following link for the additional product information:

[3 dB Fixed Attenuator, 2.4mm Male To 2.4mm Female Stainless Steel Body Rated To 1 Watt Up To 50 GHz PE7089-3](#)

Version C - Revision - © 2011 Pasternack Enterprises All Rights Reserved.



3 dB Fixed Attenuator, 2.4mm Male To 2.4mm Female Stainless Steel Body Rated To 1 Watt Up To 50 GHz

PE7089-3

Mechanical Specifications

Temperature Operating Range (deg C) -55 to +100
Body Material and Plating Stainless Steel, Passivated

Connector 1

Type 2.4mm
Gender Male
Body Material and Plating Stainless Steel, Passivated
Inner Conductor Material and Plating BeCu, Gold
Outer Conductor Material and Plating Stainless Steel, Passivated
Coupling Nut Material and Plating Stainless Steel, Passivated

Connector 2

Type 2.4mm
Gender Female
Body Material and Plating Stainless Steel, Passivated
Inner Conductor Material and Plating BeCu, Gold
Outer Conductor Material and Plating Stainless Steel, Passivated
Coupling Nut Material and Plating Stainless Steel, Passivated

Compliance Certifications (visit www.Pasternack.com for current document)

RoHS Compliant Yes, by exemption

Other Data

URL: <http://www.pasternack.com/3db-fixed-2.4mm-male-2.4mm-female-1-watt-attenuator-pe7089-3-p.aspx>

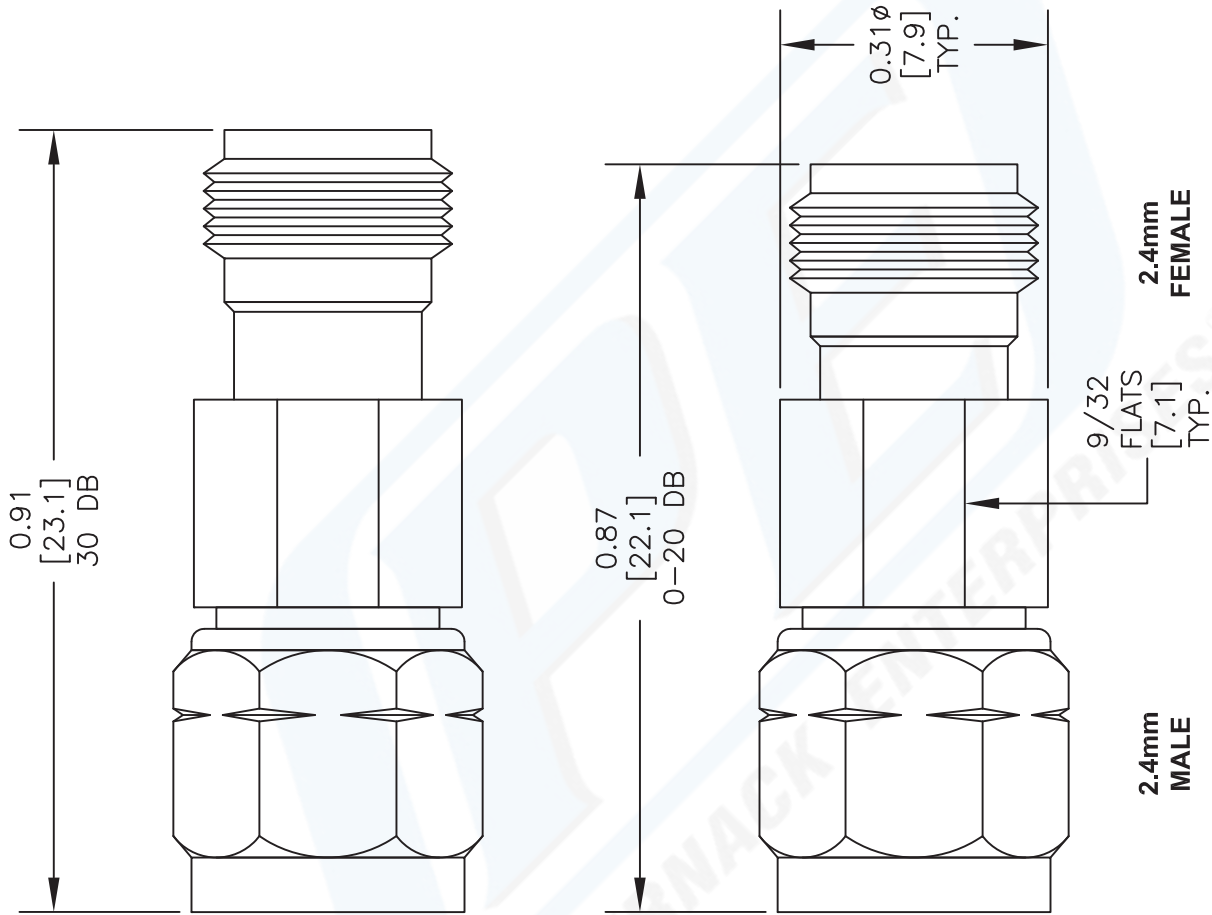
3 dB Fixed Attenuator, 2.4mm Male To 2.4mm Female Stainless Steel Body Rated To 1 Watt Up To 50 GHz from Pasternack Enterprises has same day shipment for domestic and International orders. Our RF, microwave and fiber optic products maintain a 99% availability and are part of the broadest selection in the industry.

Version C - Revision - © 2011 Pasternack Enterprises All Rights Reserved.



PE7089-3 CAD Drawing

3 dB Fixed Attenuator, 2.4mm Male To 2.4mm Female Stainless Steel Body Rated To 1 Watt Up To 50 GHz



DWG TITLE

PE7089

NOTES:
 1. UNLESS OTHERWISE SPECIFIED ALL DIMENSIONS ARE NOMINAL.
 2. ALL SPECIFICATIONS ARE SUBJECT TO CHANGE WITHOUT NOTICE AT ANY TIME.
 3. DIMENSIONS ARE IN INCHES [mm].

PASTERNAK ENTERPRISES, INC.
 P.O. BOX 16759, IRVINE, CA 92623
 PHONE (949) 261-1920 FAX (949) 261-7451
 WEB ADDRESS: www.pasternack.com
 E-MAIL ADDRESS: sales@pasternack.com
COAXIAL & FIBER OPTICS



REV. -

FSCM NO. 53919

CAD FILE 061512

SCALE N/A

SIZE A

2233