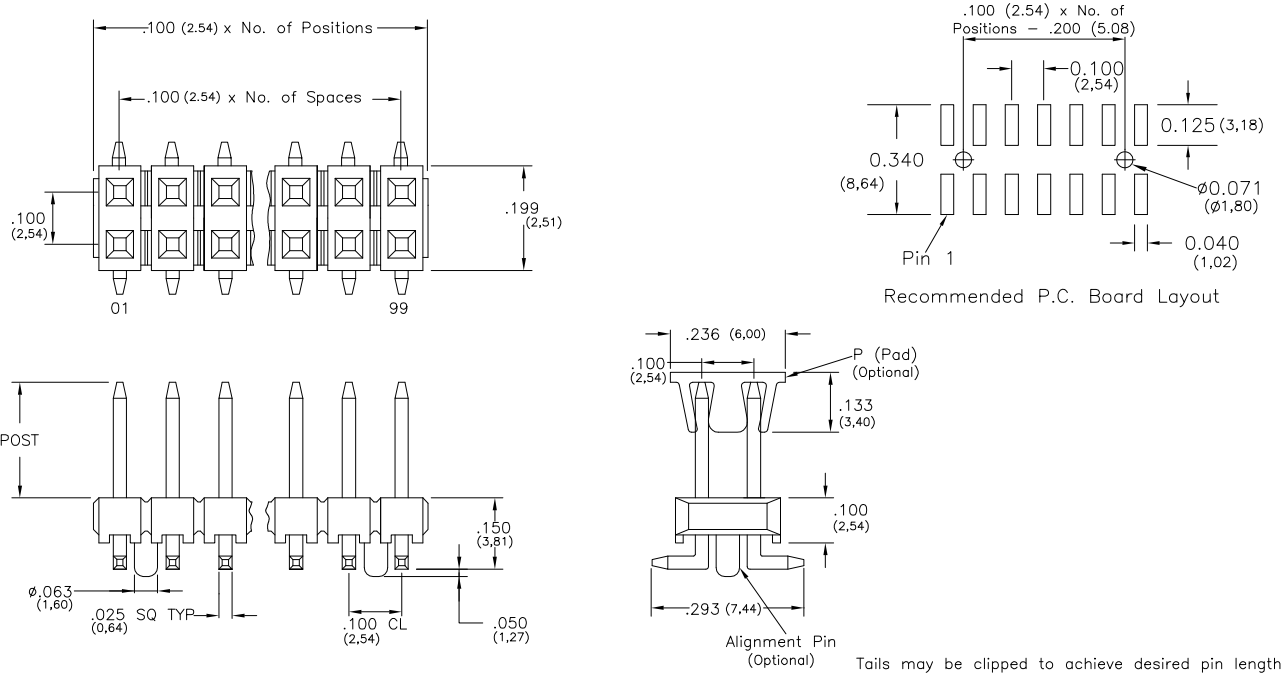


Major League Electronics .100 cl Terminal Strip Header - Surface Mount - Vertical



Ordering Information

TSHSM-1 [XX] - D - [XX] - [XX] - V - [XX] - [XX] - [XX] - [XX] - LF

Pins Per Row
01 - 50
Row Specification
D = Dual Row

Lead Free
AP - Alignment Pin
Leave blank if not needed

Pin Options		
Post Height		
.120	3.05mm	02
.135	3.43mm	03
.230	5.84mm	06
.245	6.22mm	08
.256	6.50mm	10
.280	7.11mm	11
.318	8.08mm	14
.420	10.67mm	16
.520	13.21mm	20
.620	15.75mm	22
.720	18.29mm	24
.820	20.83mm	26
.920	23.37mm	28
1.020	25.91mm	30
1.120	28.45mm	32
1.220	30.99mm	34
1.320	33.53mm	36

Packing Information
 TR-P = Tape and Reel with Plastic Pick and Place pad
 TB-P = Tube with Plastic Pick and Place pad
 TB-0 = Tube without Pick and Place Pad
 If left blank, packaging at MLE's discretion
 Pad may be metal, mylar or plastic

Polarized Position
 Leave blank if not needed
 If required, specify empty pin position, e.g. 012 for Pin 12

Vertical

Plating Options	
H	30µ Gold on Contact Area / Matte Tin on Tail
T	Matte Tin all Over
GT	10µ Gold on Contact Area / Matte Tin on Tail
G	10µ Gold on Contact Area / Flash on Tail
F	Gold Flash over Entire Pin

Specifications

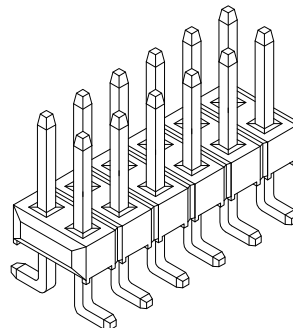
Current Rating: 3.0 Ampere
 Insulation Resistance: 1000MΩ Min.
 Dielectric Withstanding: 600V AC
 Contact Resistance: 20 mΩ Max.
 Operating Temperature: -40°C to + 105°C
 Max. Process Temperature:
 Peak: 260°C up to 20 secs.
 Process: 230°C up to 60 secs.
 Wave: 260°C up to 6 secs.
 Reflow: 260°C up to 10 secs.
 Manual Solder: 350°C up to 5 secs.

Materials

Contact Material: Phosphor Bronze
 Insulator Material: Nylon 6T
 Plating: Au or Sn over 50µ" (1.27) Ni

Mates with:

BCSS,
 BSSH,
 BSSHC,
 BSSQ,
 BSSQC,
 BSSQM,
 LBCSS,
 LSMBC,
 LSWS,
 SMBC,
 SSHQ,
 SSHQR,
 SSHR,
 SSSH,
 SSSHM



Products cut to specific sizes are uncancellable/nonreturnable

Parts are subject to change without notice

TSHSM-1-DV SERIES

.100 cl Dual Row - Vertical
 Terminal Strip Header - Surface Mount

30 JAN 07

Scale
 NTS

UNLESS OTHERWISE SPECIFIED
 DIMENSIONS IN INCHES (MM)
 TOLERANCES ARE:

ONE PLACE DECIMALS ±.100
 TWO PLACE DECIMALS ±.010
 THREE PLACE DECIMALS ±.005
 FOUR PLACE DECIMALS ±.0020
 ANGLES
 ±5°



4235 Earnings Way, New Albany, Indiana, 47150, USA
 1-800-782-3486 (USA/Canada/Mexico)

Tel: 812-944-7244
 Fax: 812-944-7268

E-mail: mle@mlelectronics.com
 Web: www.mlelectronics.com

Edition
 1

Sheet
 1/1